

## P/N: T198821

### Copyright

© 2018, FLIR Systems, Inc.

All rights reserved worldwide. Names and marks appearing herein are either registered trademarks or trademarks of FLIR Systems and/or its subsidiaries. All other trademarks, trade names or company names referenced herein are used for identification only and are the property of their respective owners.

### Document identity

Publ. No.: T198821

Release:

Commit: 49700

Language: en-US

Modified: 2018-05-14

Formatted: 2018-05-14

### Website

<http://www.flir.com>

### Customer support

<http://support.flir.com>

### Disclaimer

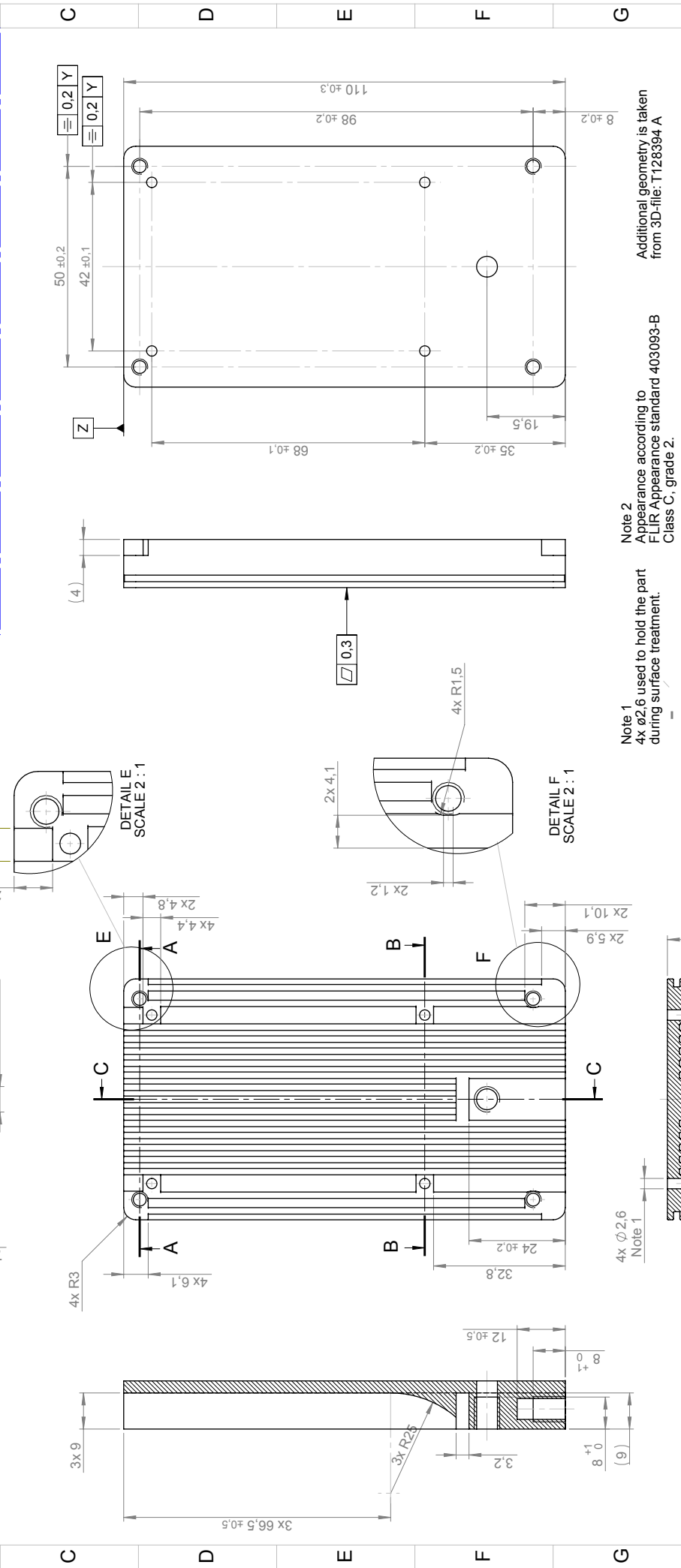
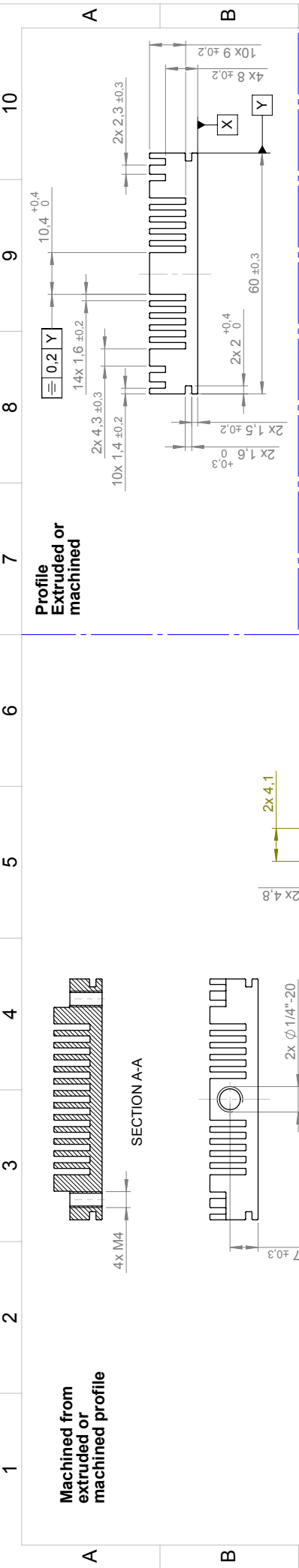
Specifications subject to change without further notice. Camera models and accessories subject to regional market considerations. License procedures may apply. Products described herein may be subject to US Export Regulations. Please refer to [exportquestions@flir.com](mailto:exportquestions@flir.com) with any questions.



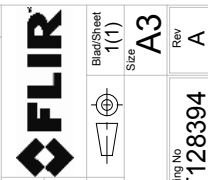
| General description  |   |
|--|---|
| Aluminum cooling bracket for FLIR AX8. See dimensional drawing for mounting holes. |   |
| Physical data  |   |
| Weight   | 0.14 kg (0.31 lb.)  |
| Size (L x W x H)   | 110 x 60 x 12 mm (4.3 x 2.4 x 0.5 in.)  |
| Color  | Blue anodizing  |
| Shipping information   |   |
| Packaging, type  | Cardboard box   |
| List of contents   | <ul style="list-style-type: none"> <li>Cooling bracket</li> <li>Screws</li> </ul> |
| Packaging, weight  | 0.240 kg (0.53 lb.)   |
| Packaging, size  | 161 x 134 x 67 mm (6.3 x 5.3 x 2.6 in.)   |
| EAN-13   | 4743254002036   |
| UPC-12   | 845188011161  |
| Country of origin  | Sweden  |

### Compatible with the following products:

- 71201-0101; FLIR AX8 9 Hz



|  |  |  |  |  |  |  |  |
|--|--|--|--|--|--|--|--|
| Konstr/Drawn<br><b>P. MARCUS</b>   |  | Datum/Date<br><b>2014-09-18</b>                  |  | Kontr/Check<br><b>JAMA</b>                 |  | Material<br><b>EN AW-6262 R</b>                                  |  |
| Använd av/Modified by<br><b>P. MARCUS</b>  |  | Använd/Modified<br><b>2015-03-10</b>             |  | Ytbehandling/Roughness<br><b>Ra 3.2 μm</b> |  | Ytbehandling/Surface treatment<br><b>Anodized colorless matt</b> |  |
| Dator till ISO 2768-mK<br>Utdrag ur: excerpt from ISO 2768-m                                   |  | Benämning/Denomination<br><b>Bracket cooling</b> |  | Skala/Scale<br><b>1:1</b>                  |  | BlackSheet<br><b>1(1)</b>  |  |
| 0.5-6 Hållarsradier<br>(6)-30 Fillet radii<br>(120)-400 Kantsradier<br>(-400)-1000 Kantsradier |  | 0.1-0.3<br>0.1-0.3<br>0.1-0.3                    |  | Rlin nr/Drawing No.<br><b>T128394</b>      |  | Rev<br><b>A</b>  |  |



Note 1  
4x φ2.6 used to hold the part during surface treatment.

Note 2  
Appearance according to FLIR Appearance standard 403093-B Class C, grade 2.

Additional geometry is taken from 3D-file: T128394 A