

P/N: T300112

Copyright

© 2020, FLIR Systems, Inc.

All rights reserved worldwide. Names and marks appearing herein are either registered trademarks or trademarks of FLIR Systems and/or its subsidiaries. All other trademarks, trade names or company names referenced herein are used for identification only and are the property of their respective owners.

Document identity

Publ. No.: T300112

Commit: 70567

Language:

Modified: 2020-09-28

Formatted: 2020-09-28

Website

<http://www.flir.com>

Customer support

<http://support.flir.com>

Disclaimer

Specifications subject to change without further notice. Camera models and accessories subject to regional market considerations. License procedures may apply. Products described herein may be subject to US Export Regulations. Please refer to exportquestions@flir.com with any questions.



General description	
Detects the following gases:	SF6, Ammonia, Ethylene
Imaging and optical data	
Thermal sensitivity (NETD)	<40 mK at +30°C (+86°F)
Gas sensitivity (NECL)	<ul style="list-style-type: none"> SF6: < 1 ppm x m C₂H₄: < 20 ppm x m NH₃: < 20 ppm x m (ΔT = 10°C, Distance = 1 m)
Field of view (FOV)	6.4° x 4.9°
Minimum focus distance	5 m (16.4 ft)
Focal length	74 mm (2.9 in)
Spatial resolution (IFOV)	0.36 mrad/pixel
Lens identification	Automatic
f-number	1.35
Physical data	
Weight	0.37 kg (0.82 lb)
Size (L x D)	104 x 76 mm (4.11 x 2.97 in)
Shipping information	
Packaging, type	Cardboard box
List of contents	<ul style="list-style-type: none"> Lens Lens case
Packaging, weight	1.1 kg (2.4 lb)
Packaging, size	151 x 125 x 125 mm (5.9 x 4.9 x 4.9 in.)
EAN-13	7332558027394
UPC-12	845188023461
Country of origin	Sweden



IR lens HR 6° (9.5–12 μm) with case

P/N: T300112

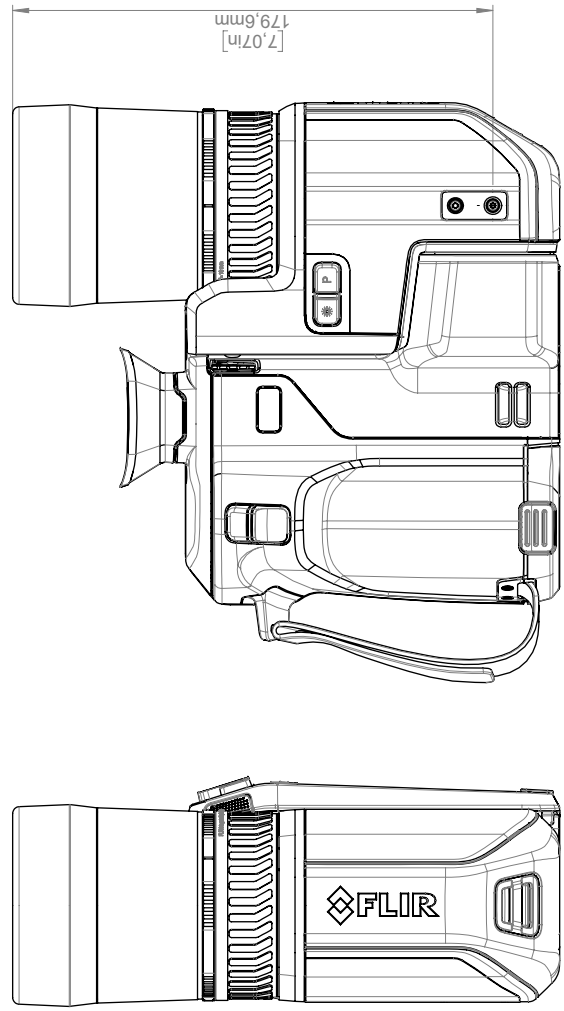
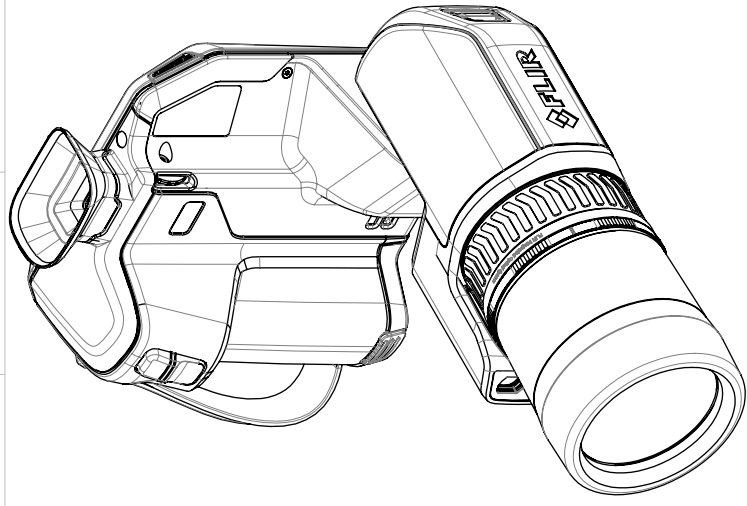
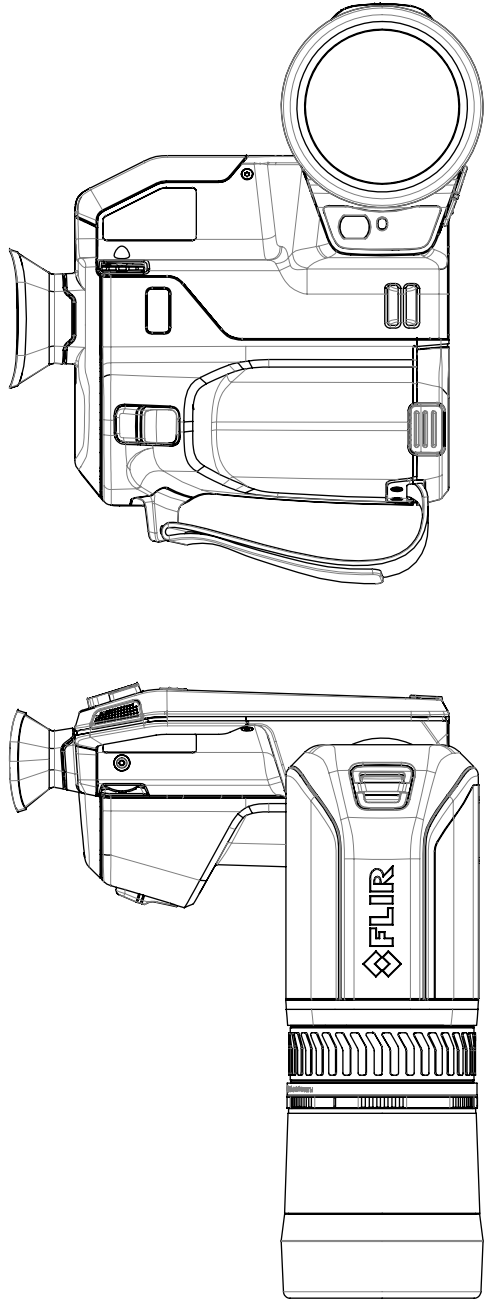
© 2020, FLIR Systems, Inc.

#T300112; r. 70567;

Compatible with the following products:

- 85201-0102; FLIR GF77 LR 25°
- 85202-0102; FLIR GF77 HR 25°
- 85203-0102; FLIR GF77 LR 25° + HR 25°
- 85204-0102; FLIR GF77 LR 25° + LR 6°
- 85205-0102; FLIR GF77 HR 25° + HR 6°
- 85206-0102; FLIR GF77 LR 25° + HR 25° + HR 6°
- 85207-0102; FLIR GF77 LR 25° + HR 25° + LR 6°
- 85208-0102; FLIR GF77 LR 25° + HR 25° + LR 6° + HR 6°

Camera with Lens IR f=74mm (6°)



For additional dimensions see page 1

© 2016, FLIR Systems, Inc. All rights reserved worldwide. No part of this drawing may be reproduced, stored in a retrieval system, or transmitted in any form, or by any means, electronic, mechanical, photocopying, recording, or otherwise, without written permission from FLIR Systems, Inc. Specifications subject to change without further notice. Dimensional data is based on nominal values. Products may be subject to regional market considerations. License procedures may apply. Product may be subject to US Export Regulations. Please refer to exportquestions@flir.com with any questions. Diversion contrary to US law is prohibited.

Modified 2019-09-30	Check	Drawn by R&D Instruments	FLIR
Denomination			Sheet 3(4)
			Rev B
			Size A3
			Scale 1:5
			Drawing No. T130694
Basic dimensions FLIR GF7x			