

P/N: T300129

Copyright

© 2020, FLIR Systems, Inc.

All rights reserved worldwide. Names and marks appearing herein are either registered trademarks or trademarks of FLIR Systems and/or its subsidiaries. All other trademarks, trade names or company names referenced herein are used for identification only and are the property of their respective owners.

Document identity

Publ. No.: T300129

Commit: 70545

Language:

Modified: 2020-09-28

Formatted: 2020-09-28

Website

<http://www.flir.com>

Customer support

<http://support.flir.com>

Disclaimer

Specifications subject to change without further notice. Camera models and accessories subject to regional market considerations. License procedures may apply. Products described herein may be subject to US Export Regulations. Please refer to exportquestions@flir.com with any questions.



General description	
Detects the following gases:	Methane, Nitrous oxide, Propane, Sulfur dioxide, R-134a, R152a
Imaging and optical data	
Thermal sensitivity (NETD)	<40 mK at +30°C (+86°F)
Gas sensitivity (NECL)	<ul style="list-style-type: none"> • CH₄: < 100 ppm x m • N₂O: < 75 ppm x m • C₃H₈: < 400 ppm x m • SO₂: < 30 ppm x m • R-134a: < 20 ppm x m • R-152a: < 100 ppm x m (ΔT = 10°C, Distance = 1 m)
Field of view (FOV)	6.4° x 4.9°
Minimum focus distance	5 m (16.4 ft)
Focal length	74 mm (2.9 in)
Spatial resolution (IFOV)	0.36 mrad/pixel
Lens identification	Automatic
f-number	1.35
Physical data	
Weight	0.37 kg (0.82 lb.)
Size (L x D)	104 x 76 mm (4.11 x 2.97 in)
Shipping information	
Packaging, type	Cardboard box
List of contents	<ul style="list-style-type: none"> • Lens • Lens case • Lens mounting instructions
Packaging, weight	1.1 kg (2.4 lb)
Packaging, size	151 x 125 x 125 mm (5.9 x 4.9 x 4.9 in)



IR lens LR 6° (7–8.5 μm) with case

P/N: T300129

© 2020, FLIR Systems, Inc.

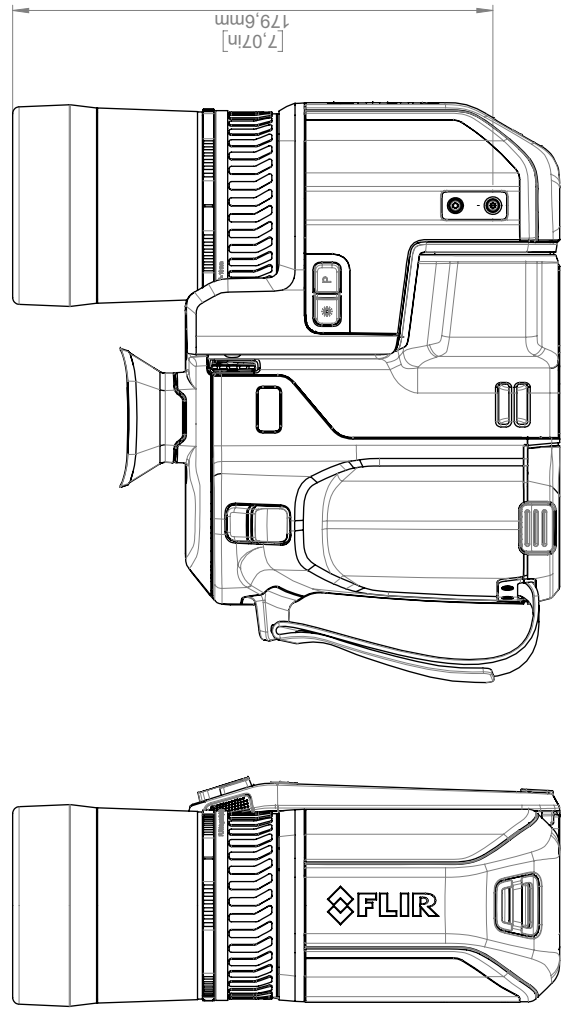
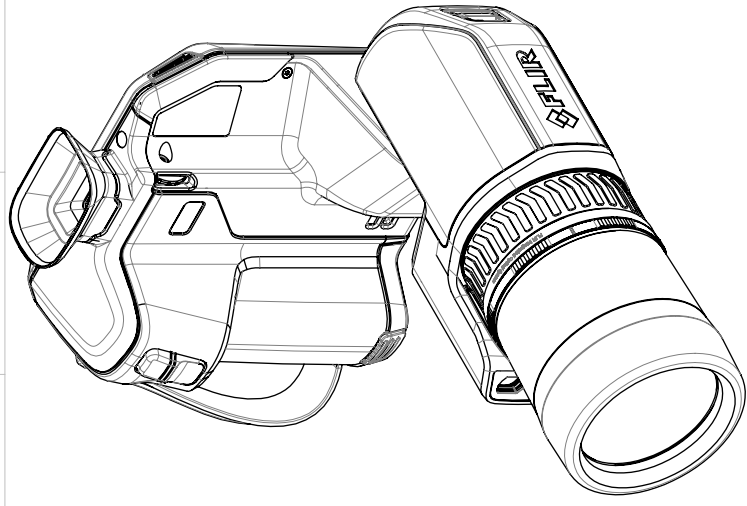
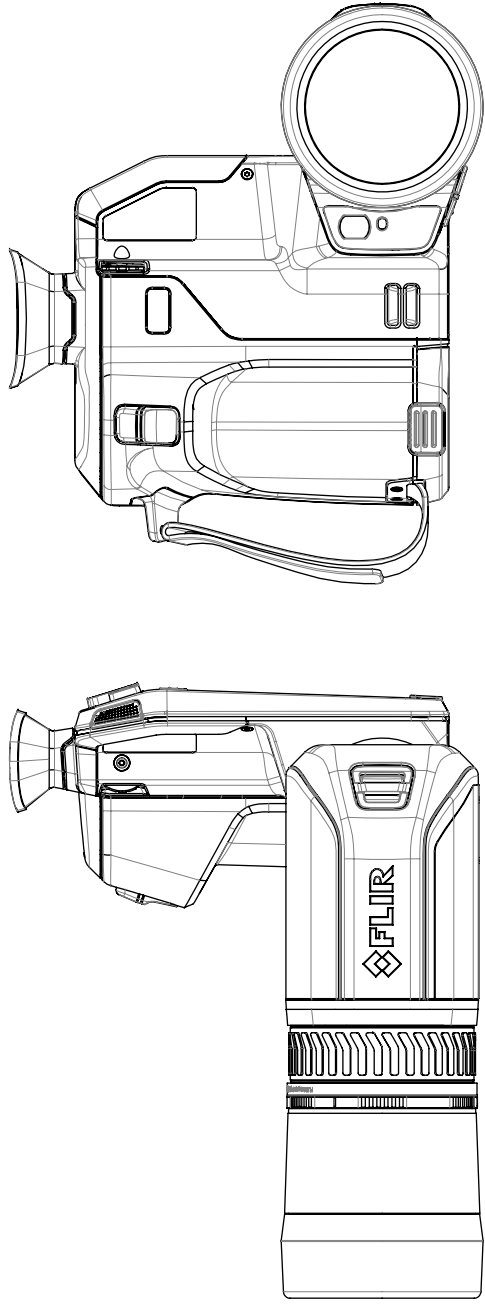
#T300129; r. 70545;

Shipping information	
EAN-13	7332558025789
UPC-12	845188021498
Country of origin	Sweden

Compatible with the following products:

- 85201-0102; FLIR GF77 LR 25°
- 85202-0102; FLIR GF77 HR 25°
- 85203-0102; FLIR GF77 LR 25° + HR 25°
- 85204-0102; FLIR GF77 LR 25° + LR 6°
- 85205-0102; FLIR GF77 HR 25° + HR 6°
- 85206-0102; FLIR GF77 LR 25° + HR 25° + HR 6°
- 85207-0102; FLIR GF77 LR 25° + HR 25° + LR 6°
- 85208-0102; FLIR GF77 LR 25° + HR 25° + LR 6° + HR 6°

Camera with Lens IR f=74mm (6°)



For additional dimensions see page 1

© 2016, FLIR Systems, Inc. All rights reserved worldwide. No part of this drawing may be reproduced, stored in a retrieval system, or transmitted in any form, or by any means, electronic, mechanical, photocopying, recording, or otherwise, without written permission from FLIR Systems, Inc. Specifications subject to change without further notice. Dimensional data is based on nominal values. Products may be subject to regional market considerations. License procedures may apply. Product may be subject to US Export Regulations. Please refer to exportquestions@flir.com with any questions. Diversion contrary to US law is prohibited.

Modified 2019-09-30	Check -	Drawn by R&D Instruments	FLIR
Denomination Basic dimensions FLIR GF7x			Size A3
			Scale 1:5
			Sheet 3(4)
			Rev B
			Drawing No. T130694