

P/N: 55904-7422

Copyright

© 2016, FLIR Systems, Inc.

All rights reserved worldwide. Names and marks appearing herein are either registered trademarks or trademarks of FLIR Systems and/or its subsidiaries. All other trademarks, trade names or company names referenced herein are used for identification only and are the property of their respective owners.

Document identity

Publ. No.: 55904-7422

Release:

Commit: 35207

Language: en-US

Modified: 2016-04-27

Formatted: 2016-06-30

Website

<http://www.flir.com>

Customer support

<http://support.flir.com>

Disclaimer

Specifications subject to change without further notice. Camera models and accessories subject to regional market considerations. License procedures may apply. Products described herein may be subject to US Export Regulations. Please refer to exportquestions@flir.com with any questions.



General description

The FLIR T640bx is designed for the expert requiring the highest performance and the latest technology available. The camera combines excellent ergonomics and a walk-up-and-use interface with superior image quality of 640 × 480 pixel infrared resolution. The FLIR T640bx is flexible and can meet your every need, and has extensive communication options.

Benefits:

- Highest performance with the latest technology: The FLIR T640bx is equipped with the innovative Multi Spectral Dynamic Imaging (MSX) feature, which produces an image richer in detail than ever before. Continuous auto-focus makes the FLIR T640bx the first fully automatic infrared camera on the market.
- Ground-breaking efficiency: You can highlight objects of interest, on both the infrared and the visual images, by sketching or adding predefined stamps directly onto the camera's capacitive touch screen. The user interface is intuitive and logical for effective operation. Auto-orientation allows you to tilt between landscape and portrait views.
- Extensive communication options: The Wi-Fi connectivity of the FLIR T640bx allows you to connect to smart phones or tablets for the wireless transfer of images or the remote control of the camera. The Bluetooth-based METERLINK function transfers readings from external measurement instruments to the infrared image.
- Support for UltraMax: When enabling UltraMax in the camera, the resolution of images can be substantially enhanced when importing the images into FLIR Tools.

Imaging and optical data

| | |
|---------------------------|----------------------------------|
| IR resolution | 640 × 480 pixels |
| UltraMax | Yes |
| Thermal sensitivity/NETD | <30 mK @ +30°C (+86°F) |
| Field of view (FOV) | 15° × 11° |
| Minimum focus distance | 0.5 m (1.64 ft.) |
| Focal length | 41 mm (1.63 in.) |
| Spatial resolution (IFOV) | 0.41 mrad |
| Lens identification | Automatic |
| F-number | 1.0 |
| Image frequency | 30 Hz |
| Focus | Continuous, one shot or manual |
| Digital zoom | 1–8× continuous |
| Digital image enhancement | Adaptive digital noise reduction |



FLIR T640bx 15° (incl. Wi-Fi)

P/N: 55904-7422

© 2016, FLIR Systems, Inc.

#55904-7422; r. /35207; en-US

| Detector data | |
|----------------------|--|
| Detector type | Focal plane array (FPA), uncooled microbolometer |
| Spectral range | 7.5–14 μm |
| Detector pitch | 17 μm |

| Image presentation | |
|----------------------------|--|
| Display | Built-in touch screen, 4.3 in. wide screen LCD, 800 × 480 pixels |
| Display type | Capacitive touch screen |
| Auto orientation | Automatic landscape or portrait |
| Viewfinder | Built-in 800 × 480 pixels |
| Automatic image adjustment | Continuous, histogram based |
| Manual image adjustment | Linear based; possible to adjust level/span/max./min. |

| Image presentation modes | |
|---------------------------------|---|
| Infrared image | Full-color IR image |
| Visual image | Full color visual image |
| Thermal MSX | Thermal image with enhanced detail presentation |
| Picture in Picture | Resizable and movable IR area on visual image |

| Measurement | |
|--------------------------|---|
| Object temperature range | <ul style="list-style-type: none"> • -40°C to $+150^{\circ}\text{C}$ (-40°F to $+302^{\circ}\text{F}$) • $+100^{\circ}\text{C}$ to $+650^{\circ}\text{C}$ ($+212^{\circ}\text{F}$ to $+1202^{\circ}\text{F}$) |
| Accuracy | $\pm 2^{\circ}\text{C}$ ($\pm 3.6^{\circ}\text{F}$) or 2%, whichever is greater, at 25°C (77°F) nominal. |

| Measurement analysis | |
|-------------------------------------|--|
| Spotmeter | 10 |
| Area | 5 + 5 areas (boxes or circles) with max./min./average (in post-acquisition analysis) |
| Profile | 1 line profile with max/min temp |
| Automatic hot/cold detection | Auto hot or cold spotmeter markers within area and profile |
| Measurement presets | No measurements, Center spot, Hot spot, Cold spot, User preset 1, User preset 2 |
| User presets (in live images) | The user can select and combine measurements from any number of available spots/boxes/circles/profiles/delta |
| Difference temperature | Delta temperature between measurement functions or reference temperature |
| Reference temperature | Manually set using difference temperature |
| Atmospheric transmission correction | Automatic, based on inputs for distance, atmospheric temperature and relative humidity |
| Optics transmission correction | Automatic, based on signals from internal sensors |
| Emissivity correction | Variable from 0.01 to 1.0 or selected from materials list |

P/N: 55904-7422

© 2016, FLIR Systems, Inc.

#55904-7422; r. /35207; en-US

| Measurement analysis | |
|--|--|
| Emissivity table | Emissivity table of predefined materials |
| Reflected apparent temperature correction | Automatic, based on input of reflected temperature |
| External optics/windows correction | Automatic, based on inputs of window transmission and temperature |
| Measurement corrections | Emissivity, reflected temperature, relative humidity, atmospheric temperature, object distance, external IR window compensation |
| Colors (palettes) | Iron, Rainbow, Rainbow HC, White hot, Black hot, Arctic, Lava |
| Alarm | |
| Color Alarm (isotherm) | Above/below/interval |
| Measurement function alarm | Audible/visual alarms (above/below) on any selected measurement function |
| Screening | Difference temperature alarm, audible |
| Humidity alarm | 1 humidity alarm, including dew point alarm |
| Insulation alarm | 1 insulation alarm |
| Set-up | |
| Set-up commands | Define user presets, Save options, Programmable button, Reset options, Set up camera, Wi-Fi, GPS & compass, Bluetooth, Language, Time & units, Camera information |
| Service functions | |
| Camera software update | Use PC software FLIR Tools |
| Storage of images | |
| Image storage | Standard JPEG, including digital photo and measurement data, on memory card |
| Storage media | Removable memory SD card |
| Image storage mode | <ul style="list-style-type: none"> • Simultaneous storage of thermal and digital photo in same JPEG file. • Optional to store digital photo as a separate JPEG file. |
| Time lapse | 15 seconds to 24 hours |
| File formats | Standard JPEG, measurement data included |
| File formats, visual | Standard JPEG, automatically associated with corresponding thermal image |
| Image annotations (in still images) | |
| Voice | 60 seconds (via Bluetooth) stored with the image |
| Text | Add table. Select between predefined templates or create your own in FLIR Tools |
| Image description | Add short note (stored in JPEG EXIF tag) |
| Sketch | Draw on thermal/digital photo or add predefined stamps |



FLIR T640bx 15° (incl. Wi-Fi)

P/N: 55904-7422

© 2016, FLIR Systems, Inc.

#55904-7422; r. /35207; en-US

| Image annotations (in still images) | |
|--|---|
| METERLiNK | Wireless connection (Bluetooth) to: FLIR meters with METERLiNK |
| Report generation | <ul style="list-style-type: none">Instant Report (*.pdf file) in cameraSeparate PC software with extensive report generation |
| Geographic Information System | |
| GPS | Location data automatically added to every still image from built-in GPS |
| Compass | Camera direction automatically added to every still image |
| Video recording in camera | |
| Non-radiometric IR video recording | MPEG-4 to memory card |
| Visual video recording | MPEG-4 to memory card |
| Video streaming | |
| Radiometric IR video streaming | Full dynamic to PC using USB or to mobile devices using Wi-Fi. |
| Non-radiometric IR video streaming | <ul style="list-style-type: none">MPEG-4 using Wi-FiUncompressed colorized video using USB |
| Visual video streaming | <ul style="list-style-type: none">MPEG-4 using Wi-FiUncompressed colorized video using USB |
| Digital camera | |
| Built-in digital camera | 5 Mpixels with LED light (photo as separate image) |
| Digital camera, FOV | Adapts to the IR lens |
| Video lamp | Built-in LED light |
| Laser pointer | |
| Laser | Activated by dedicated button |
| Laser alignment | Position is automatic displayed on the IR image |
| Laser classification | Class 2 |
| Laser type | Semiconductor AlGaInP diode laser, 1 mW, 635 nm (red) |
| Data communication interfaces | |
| Interfaces | USB-mini, USB-A, Bluetooth, Wi-Fi, Digital Video Output |
| METERLiNK/Bluetooth | Communication with headset and external sensors |
| Wi-Fi | Peer to peer (ad hoc) or infrastructure (network) |
| SD Card | One card slot for removable SD memory cards |

P/N: 55904-7422

© 2016, FLIR Systems, Inc.

#55904-7422; r. /35207; en-US

| USB | |
|----------------------------------|--|
| USB | <ul style="list-style-type: none"> • USB-A: Connect external USB device • USB Mini-B: Data transfer to and from PC / uncompressed colorized video |
| USB, standard | USB 2.0 high speed |
| Video output | |
| Video out | Digital video output (DVI) |
| Video, connector type | HDMI compatible |
| Radio | |
| Wi-Fi | <ul style="list-style-type: none"> • Standard: 802.11 b/g • Frequency range: 2412–2462 MHz • Max. output power: 15 dBm |
| METERLiNK/Bluetooth | Frequency range: 2402–2480 MHz |
| Antenna | Internal |
| Power system | |
| Battery type | Rechargeable Li ion battery |
| Battery operating time | > 2.5 hours at 25°C (+68°F) and typical use |
| Charging system | In camera (AC adapter or 12 V from a vehicle) or 2-bay charger |
| Charging time | 2.5 h to 90 % capacity, charging status indicated by LED's |
| Charging temperature | 0°C to +45°C (+32°F to +113°F) |
| External power operation | AC adapter 90–260 VAC, 50/60 Hz or 12 V from a vehicle (cable with standard plug, optional) |
| Environmental data | |
| Operating temperature range | –15°C to +50°C (+5°F to +122°F) |
| Storage temperature range | –40°C to +70°C (–40°F to +158°F) |
| Humidity (operating and storage) | IEC 60068-2-30/24 h 95% relative humidity +25° C to +40°C (+77°F to +104°F) / 2 cycles |
| EMC | <ul style="list-style-type: none"> • ETSI EN 301 489-1 (radio) • ETSI EN 301 489-17 • EN 61000-6-2 (Immunity) • EN 61000-6-3 (Emission) • FCC 47 CFR Part 15 Class B (Emission) • ICES-003 |
| Radio spectrum | <ul style="list-style-type: none"> • ETSI EN 300 328 • FCC Part 15.247 • RSS-210 |
| Encapsulation | IP 54 (IEC 60529) |
| Shock | 25 g (IEC 60068-2-27) |
| Vibration | 2 g (IEC 60068-2-6) |
| Safety | EN/UL/CSA/PSE 60950-1 |

P/N: 55904-7422

© 2016, FLIR Systems, Inc.

#55904-7422; r. /35207; en-US

| Physical data | |
|-------------------------------------|--|
| Weight | 1.3 kg (2.87 lb.) |
| Camera size, excl. lens (L x W x H) | 143 x 195 x 95 mm (5.6 x 7.7 x 3.7 in.) |
| Tripod mounting | UNC ¼"-20 |
| Housing material | Magnesium |
| Shipping information | |
| Packaging, type | Cardboard box |
| List of contents | <ul style="list-style-type: none"> • Infrared camera with lens • Battery (2 ea.) • Battery charger • Bluetooth headset • Calibration certificate • Printed documentation • HDMI-DVI cable • HDMI-HDMI cable • Hard transport case • Large eyecap • Lens cap • Memory card • Neck strap • Power supply, incl. multi-plugs • Tripod adapter • USB cable, Std A to Mini-B |
| Packaging, weight | 6.6 kg (14.6 lb.) |
| Packaging, size | 495 x 192 x 370 mm (19.49 x 7.56 x 14.57 in.) |
| EAN-13 | 7332558007051 |
| UPC-12 | 845188007393 |
| Country of origin | Sweden |

Supplies & accessories:

- T197914; IR lens, f=41.3 mm (15°) with case
- T197922; IR lens, f=24.6 mm (25°) with case
- T197915; IR lens, f=13.1 mm (45°) with case
- T198059; Close-up IR lens, 2.9x (50 µm) with case
- T198060; Close-up IR lens, 5.8x (100 µm) with case
- T198166; IR lens, f=88.9 mm (7°) with case and support for T6xx
- T198065; IR lens, f=6.5 mm (80°) with case
- T198066; Close-up IR lens, 1.5x (25 µm) with case
- T197896; High temperature option +300°C to 2000°C (+572°F to 3632°F)
- T910814; Power supply, incl. multi plugs
- T198126; Battery charger, incl. power supply with multi plugs T6xx
- T198506; Li-Ion Battery pack 3.7V 29Wh
- T199406ACC; Battery Li-ion 3.7 V, 7.8 Ah, 29 Wh
- T911230ACC; Memory card SDHC 4 GB
- 1910423; USB cable Std A <-> Mini-B
- T198509; Cigarette lighter adapter kit, 12 VDC, 1.2 m/3.9 ft.
- T910930ACC; HDMI type C to DVI cable 1.5 m
- T910891ACC; HDMI type C to HDMI type A cable 1.5 m
- T198625ACC; Hard transport case
- T198495; Pouch for FLIR T6xx and T4xx series
- T198497; Large eyecup
- T198498; Tripod Adapter



FLIR T640bx 15° (incl. Wi-Fi)

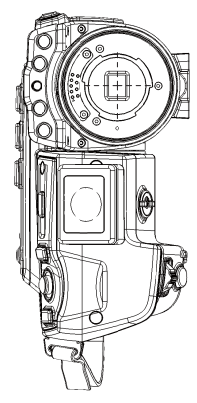
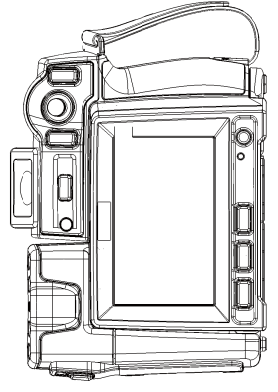
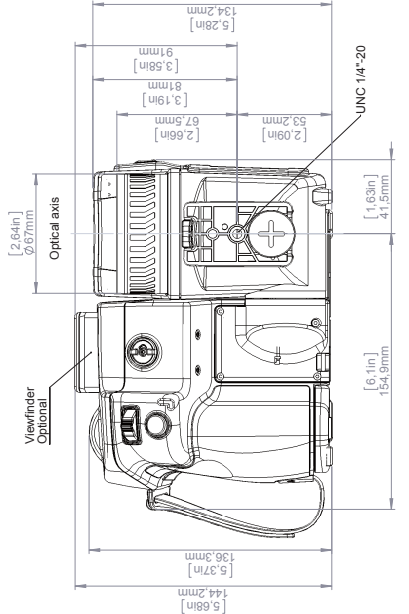
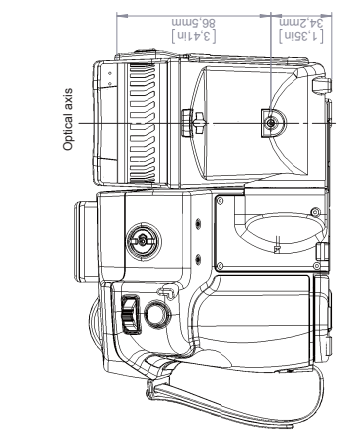
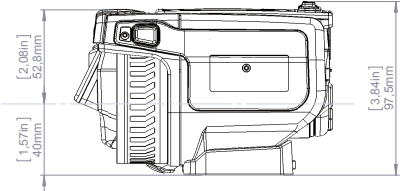
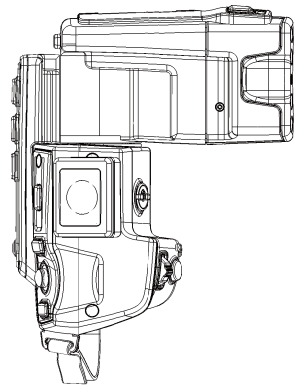
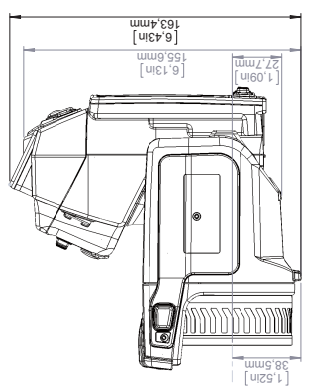
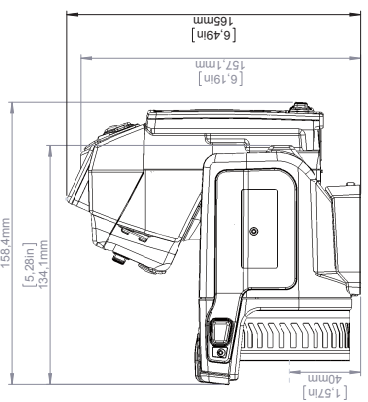
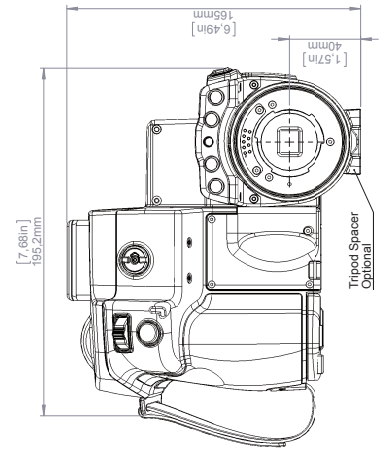
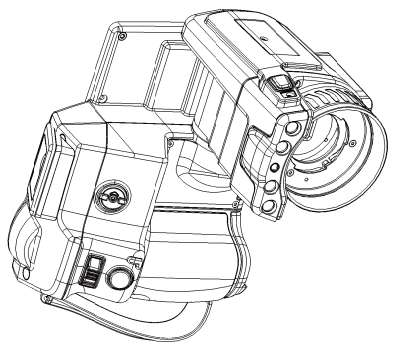
P/N: 55904-7422

© 2016, FLIR Systems, Inc.

#55904-7422; r. /35207; en-US

- T198499; Neck strap
- T197771ACC; Bluetooth Headset
- T911093; Tool belt
- 19250-100; IR Window 2 in
- 19251-100; IR Window 3 in.
- 19252-100; IR Window 4 in.
- 19250-200; SS IR Window 2 in.
- 19251-200; SS IR Window 3 in.
- 19252-200; SS IR Window 4 in.
- T198496; Stylus pen
- T198586; FLIR Reporter Professional (license only)
- T198584; FLIR Tools
- T198583; FLIR Tools+ (download card incl. license key)
- DSW-10000; FLIR IR Camera Player
- APP-10002; FLIR Tools Mobile (Android Application)
- APP-10004; FLIR Tools (MacOS Application)
- T198697; FLIR ResearchIR Max + HSDR 4 (hardware sec. dev.)
- T199014; FLIR ResearchIR Max + HSDR 4 (printed license key)
- T199044; FLIR ResearchIR Max + HSDR 4 Upgrade (printed license key)
- T198696; FLIR ResearchIR Max 4 (hardware sec. dev.)
- T199013; FLIR ResearchIR Max 4 (printed license key)
- T199043; FLIR ResearchIR Max 4 Upgrade (printed license key)
- T198731; FLIR ResearchIR Standard 4 (hardware sec. dev.)
- T199012; FLIR ResearchIR Standard 4 (printed license key)
- T199042; FLIR ResearchIR Standard 4 Upgrade (printed license key)
- T199233; FLIR Atlas SDK for .NET
- T199234; FLIR Atlas SDK for MATLAB

Camera housing



Modified: 2014-02-18

 Check: JOTA

 Drawn by: R&D Thermography

 Size: A2

 Sheet: 12

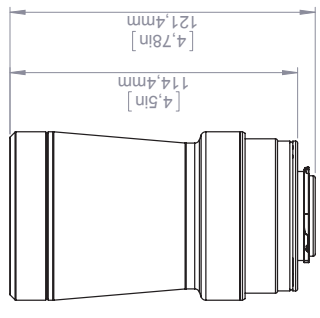
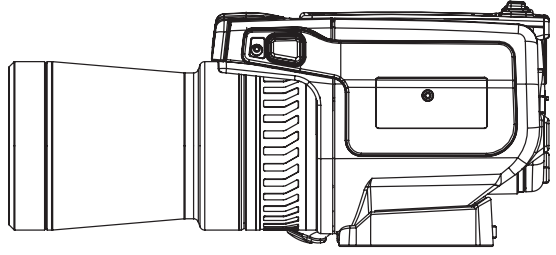
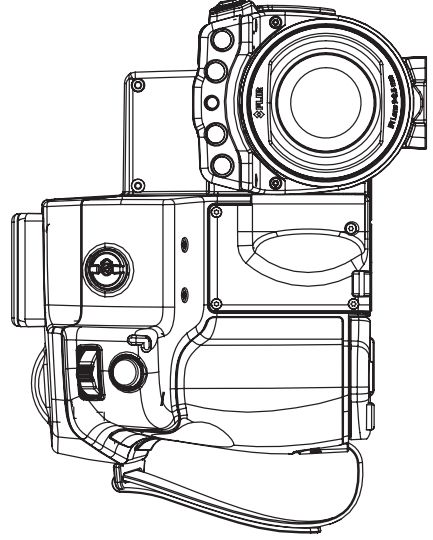
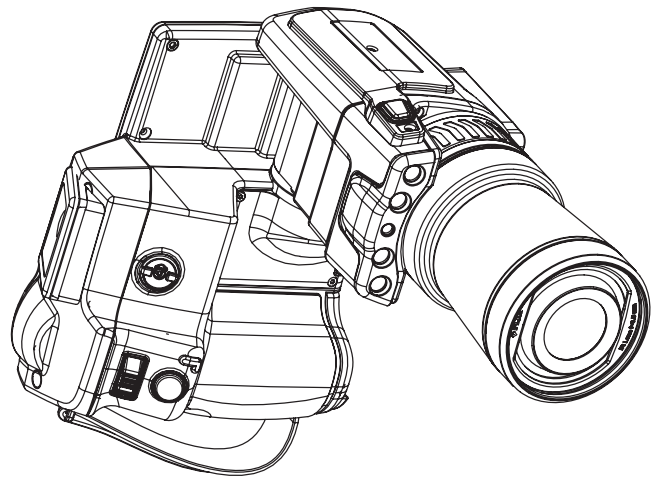
 Drawing No.: T128123

 Size: A

Basic dimensions FLIR T6xx mk II

© 2012, FLIR Systems, Inc. All rights reserved worldwide. No part of this drawing may be reproduced, stored in a retrieval system, or transmitted in any form, or by any means, electronic, mechanical, photocopying, recording, or otherwise, without written permission from FLIR Systems, Inc. Specifications subject to change without further notice. Dimensional data is based on nominal values. Products may be subject to regional market considerations. License procedures may apply. Product may be subject to US Export Regulations. Please refer to export@flir.com with any questions. Division contrary to US is prohibited.

Camera with Lens IR f=6,5 mm (80°)

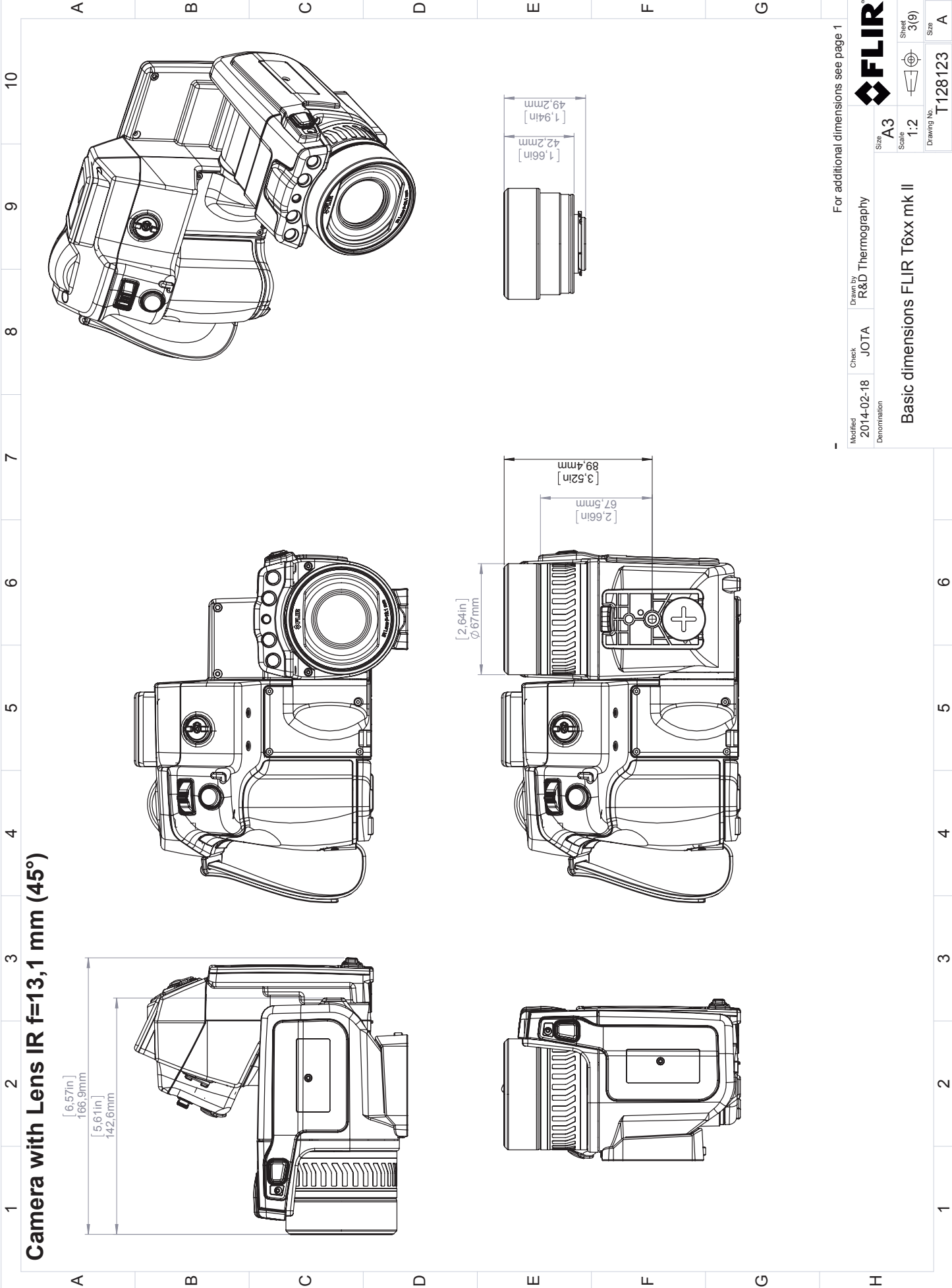


© 2012, FLIR Systems, Inc. All rights reserved worldwide. No part of this drawing may be reproduced, stored in a retrieval system, or transmitted in any form, or by any means, electronic, mechanical, photocopying, recording, or otherwise, without written permission from FLIR Systems, Inc. Specifications subject to change without further notice. Dimensional data is based on nominal values. Products may be subject to regional market considerations. License procedures may apply. Product may be subject to US Export Regulations. Please refer to exportquestions@flir.com with any questions. Diversion contrary to US law is prohibited.

For additional dimensions see page 1

| | | | |
|----------------------------------|---------------|------------------------------|------------------------|
| Modified 2014-02-18 | Check JOTA | Drawn by R&D Thermography | FLIR® |
| Denomination | | Size A3 | Sheet 2(9) |
| Basic dimensions FLIR T6xx mk II | | | Scale 1:2 |
| | | | Drawing No. T128123 |
| | | | Size A |

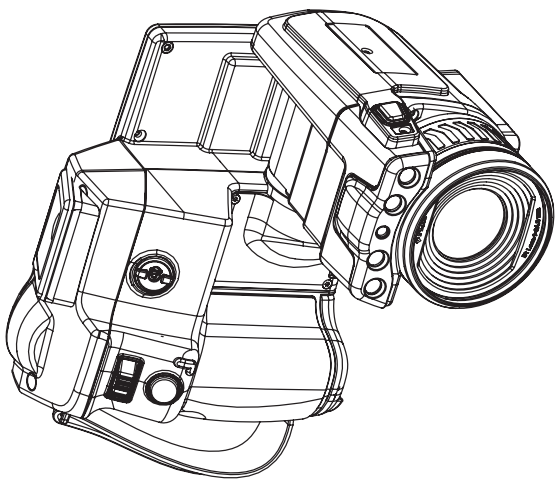
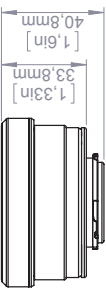
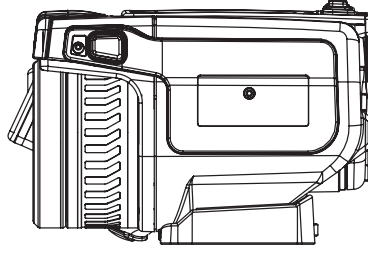
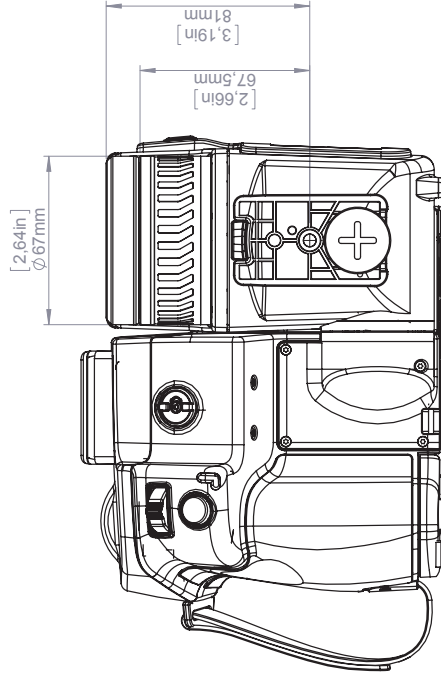
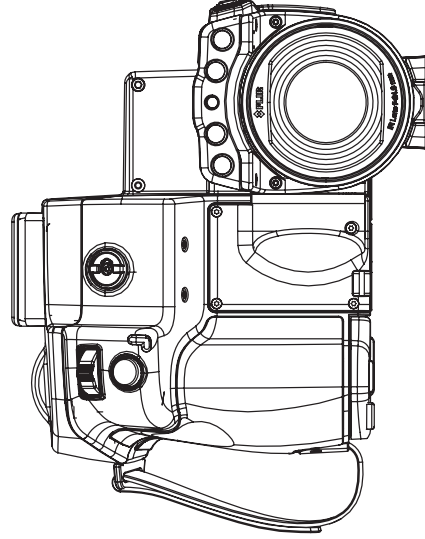
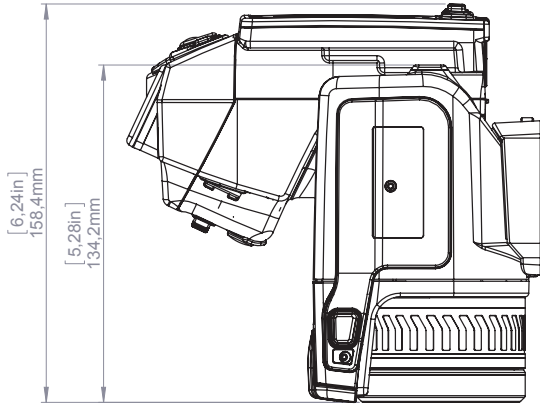
Camera with Lens IR f=13,1 mm (45°)



© 2012, FLIR Systems, Inc. All rights reserved worldwide. No part of this drawing may be reproduced, stored in a retrieval system, or transmitted in any form, or by any means, electronic, mechanical, photocopying, recording, or otherwise, without written permission from FLIR Systems, Inc. Specifications subject to change without further notice. Dimensional data is based on nominal values. Products may be subject to regional market considerations. License procedures may apply. Product may be subject to US Export Regulations. Please refer to exportquestions@flir.com with any questions. Diversion contrary to US law is prohibited.

| | | | | | |
|----------------------------------|--|---------------|------------------------------|--------------------------------------|-----------|
| Modified 2014-02-18 | | Check JOTA | Drawn by R&D Thermography | For additional dimensions see page 1 | |
| Denomination | | Size A3 | Scale 1:2 | Sheet 3(9) | Size A |
| Basic dimensions FLIR T6xx mk II | | | Drawing No. T128123 | | |

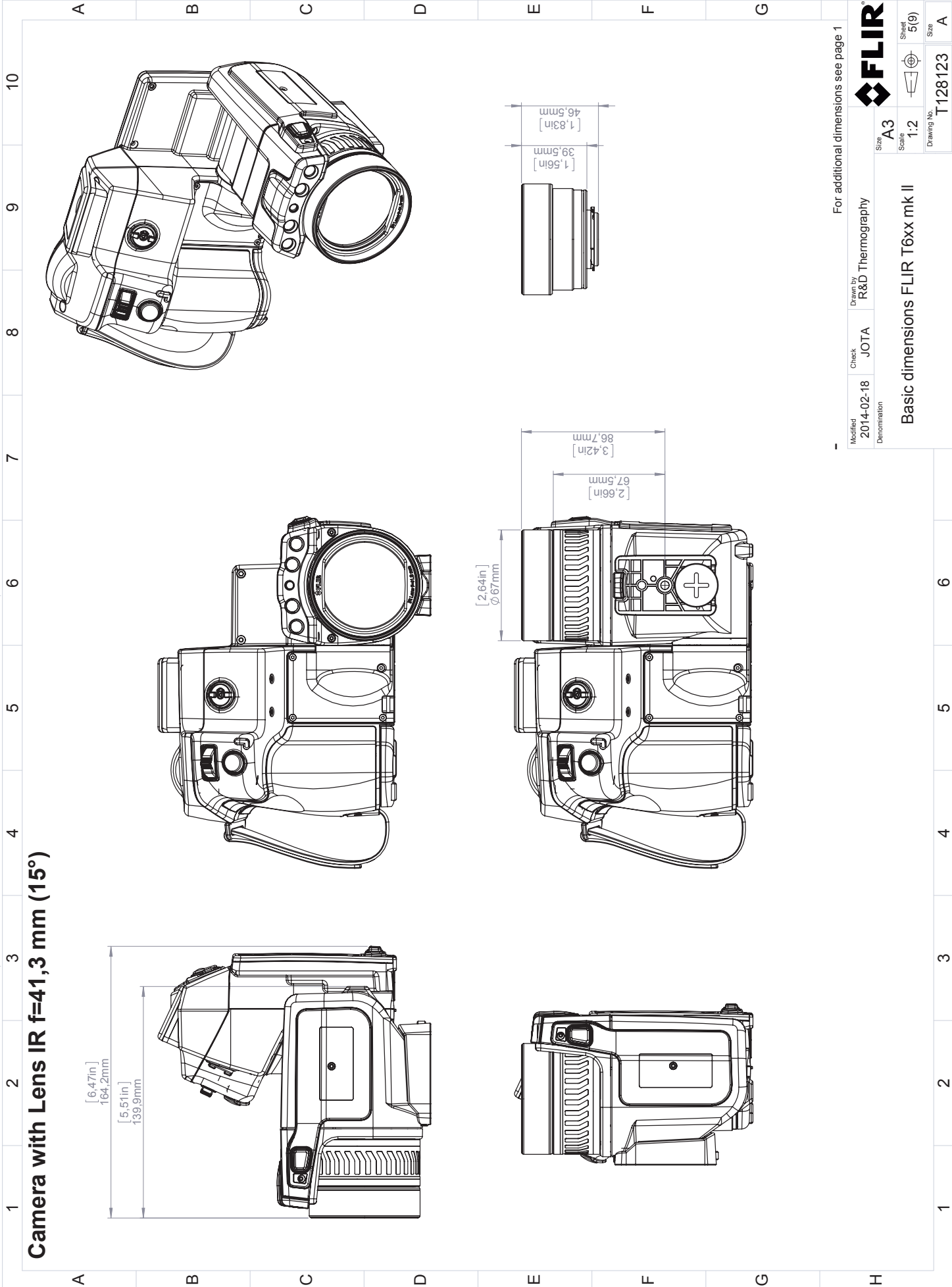
Camera with Lens IR f=24,6 mm (25°)



© 2012, FLIR Systems, Inc. All rights reserved worldwide. No part of this drawing may be reproduced, stored in a retrieval system, or transmitted in any form, or by any means, electronic, mechanical, photocopying, recording, or otherwise, without written permission from FLIR Systems, Inc. Specifications subject to change without further notice. Dimensional data is based on nominal values. Products may be subject to regional market considerations. License procedures may apply. Product may be subject to US Export Regulations. Please refer to exportquestions@flir.com with any questions. Diversion contrary to US law is prohibited.

| | | | |
|--|---------------|------------------------------|---------------|
| For additional dimensions see page 1 | | | |
| Modified 2014-02-18 | Check JOTA | Drawn by R&D Thermography | FLIR® |
| Denomination Basic dimensions FLIR T6xx mk II | | Size A3 | Sheet 4(9) |
| | | Scale 1:2 | Size A |
| | | Drawing No. T128123 | Size A |

Camera with Lens IR f=41,3 mm (15°)

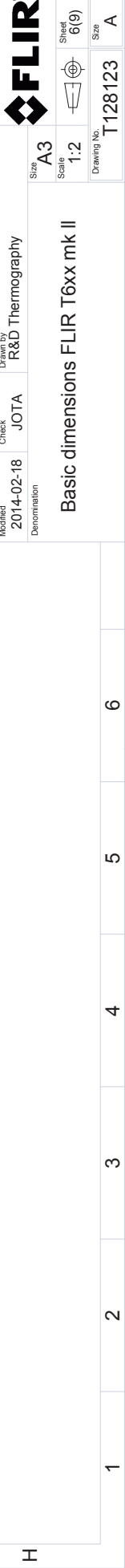
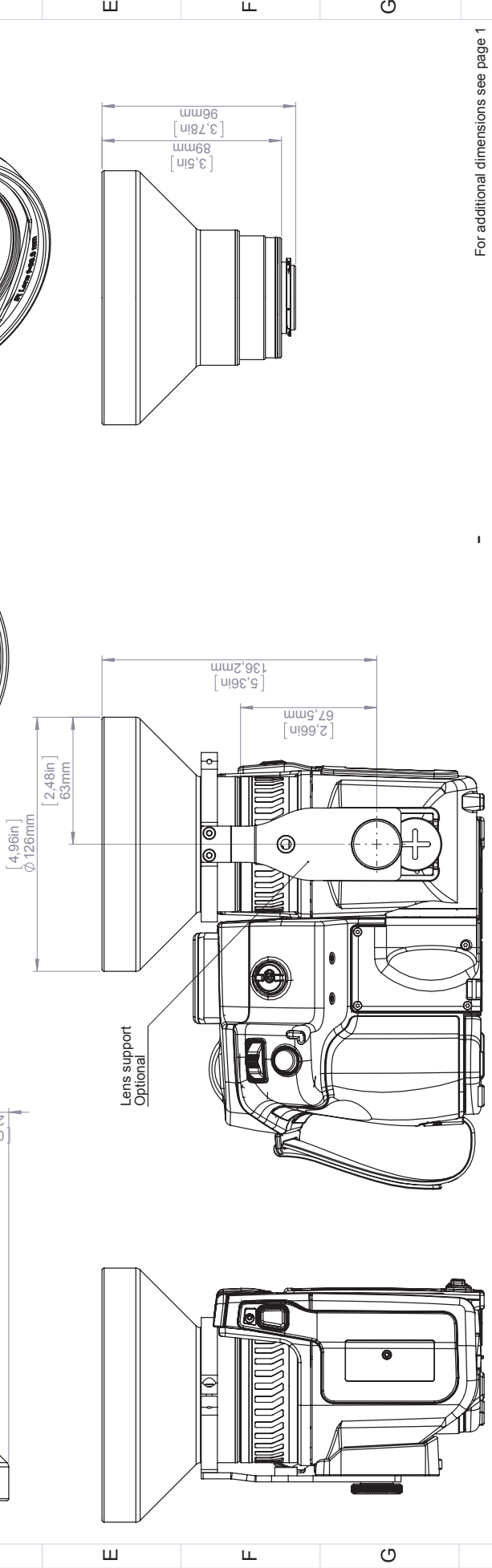
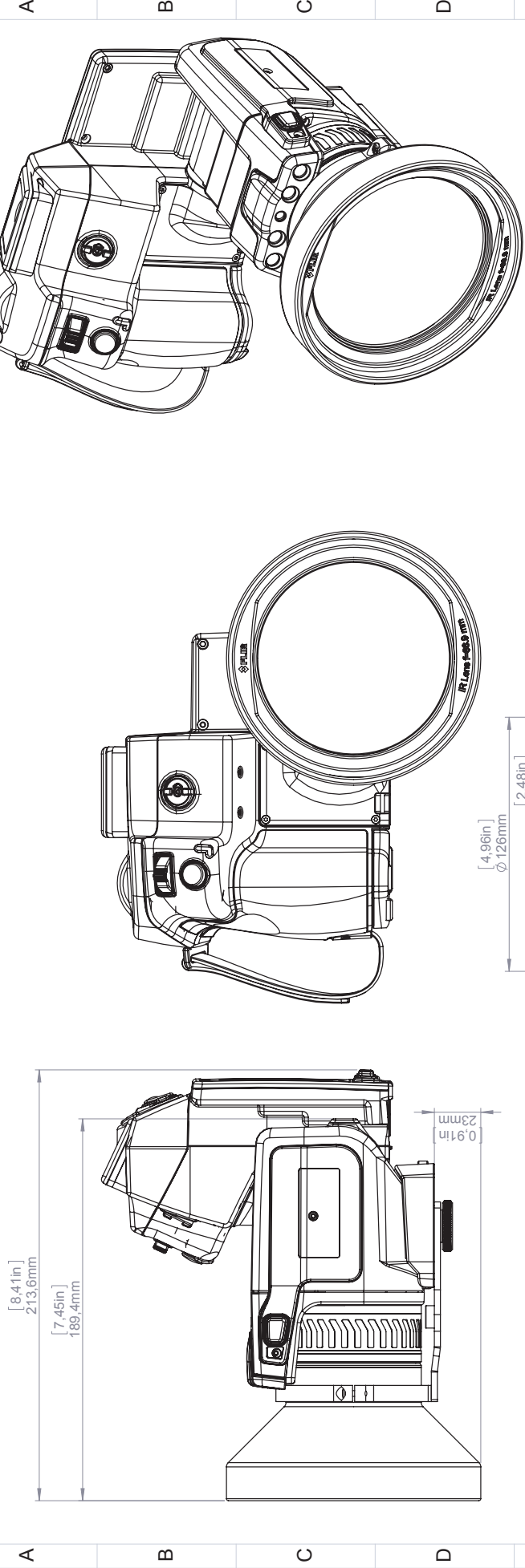


© 2012, FLIR Systems, Inc. All rights reserved worldwide. No part of this drawing may be reproduced, stored in a retrieval system, or transmitted in any form, or by any means, electronic, mechanical, photocopying, recording, or otherwise, without written permission from FLIR Systems, Inc. Specifications subject to change without further notice. Dimensional data is based on nominal values. Products may be subject to regional market considerations. License procedures may apply. Product may be subject to US Export Regulations. Please refer to exportquestions@flir.com with any questions. Diversion contrary to US law is prohibited.

For additional dimensions see page 1

| | | | |
|----------------------------------|---------------|------------------------------|---------------|
| Modified 2014-02-18 | Check JOTA | Drawn by R&D Thermography | Size A3 |
| Denomination | | | Scale 1:2 |
| Basic dimensions FLIR T6xx mk II | | | Sheet 5(9) |
| | | | Size A |
| | | Drawing No. T128123 | Size A |

Camera with Lens IR f=88,9 mm (7°) incl support



A 1 2 3 4 5 6 7 8 9 10

B

C

D

E

F

G

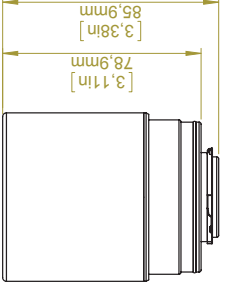
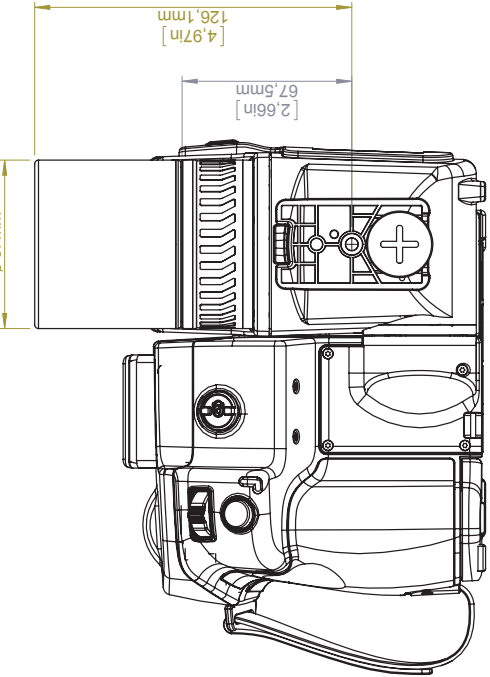
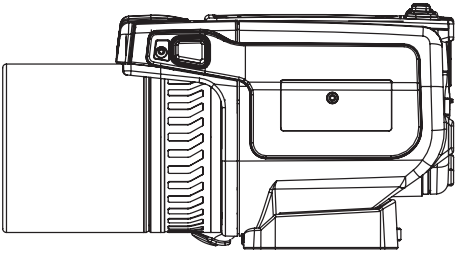
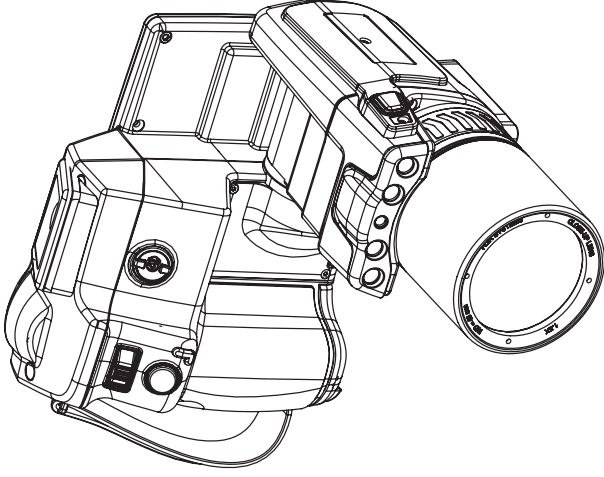
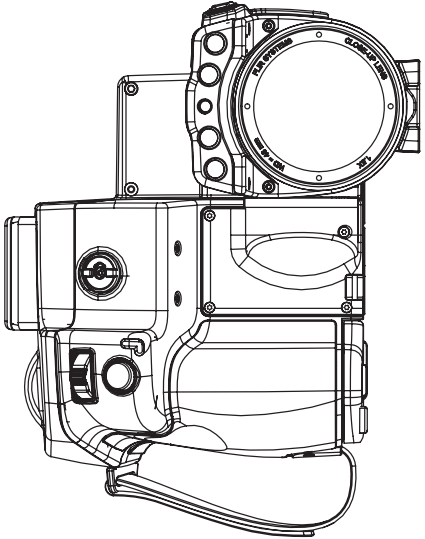
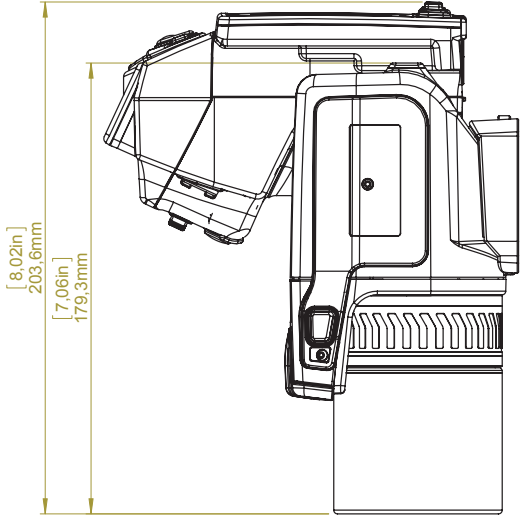
H

© 2012, FLIR Systems, Inc. All rights reserved worldwide. No part of this drawing may be reproduced, stored in a retrieval system, or transmitted in any form, or by any means, electronic, mechanical, photocopying, recording, or otherwise, without written permission from FLIR Systems, Inc. Specifications subject to change without further notice. Dimensional data is based on nominal values. Products may be subject to regional market considerations. License procedures may apply. Product may be subject to US Export Regulations. Please refer to exportquestions@flir.com with any questions. Diversion contrary to US law is prohibited.

For additional dimensions see page 1

| | | | |
|----------------------------------|-------|------------------|---------------------|
| Modified | Check | Drawn by | FLIR® |
| 2014-02-18 | JOTA | R&D Thermography | |
| Denomination | | | |
| Basic dimensions FLIR T6xx mk II | | | Size A3 |
| | | | Scale 1:2 |
| | | | Sheet 6(9) |
| | | | Size A |
| | | | Drawing No. T128123 |

Camera with Close-up lens 1,5X (25 μm)

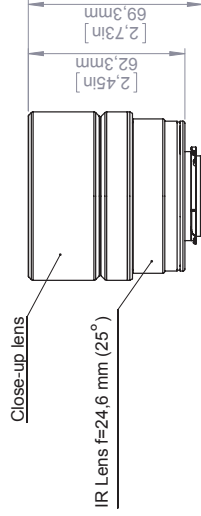
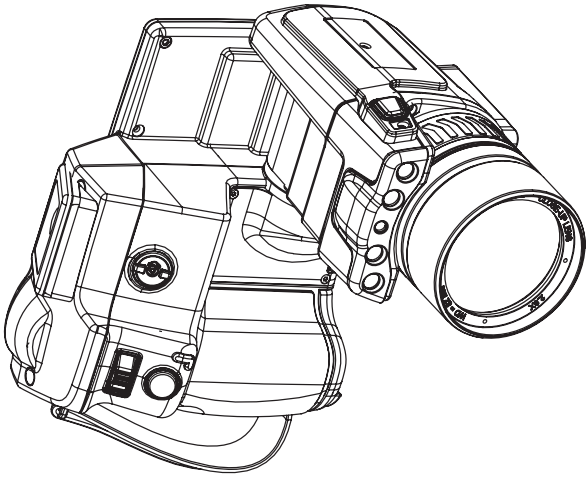
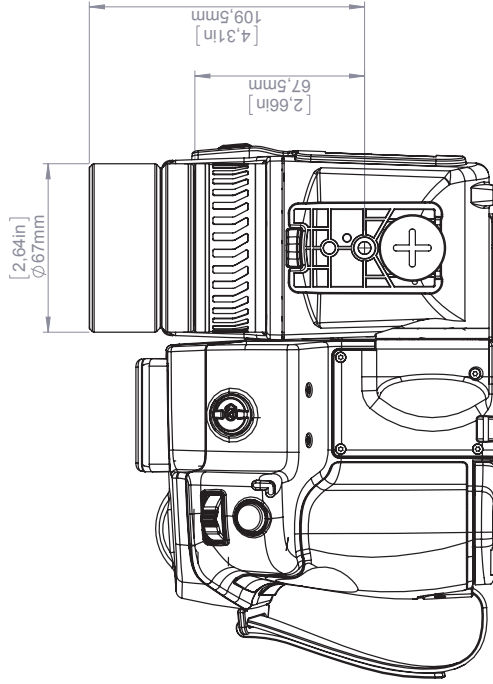
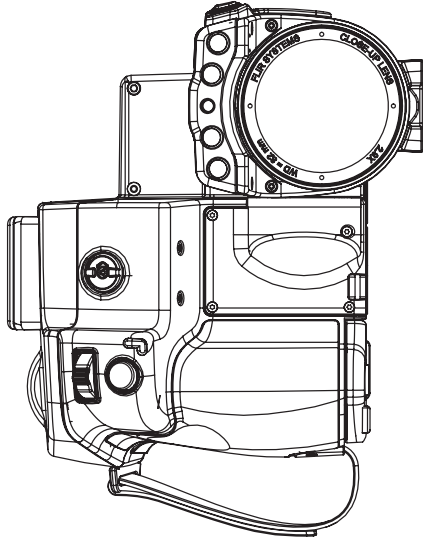
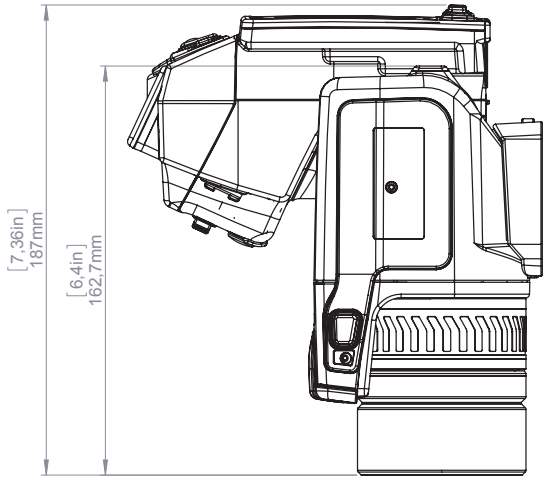


© 2012, FLIR Systems, Inc. All rights reserved worldwide. No part of this drawing may be reproduced, stored in a retrieval system, or transmitted in any form, or by any means, electronic, mechanical, photocopying, recording, or otherwise, without written permission from FLIR Systems, Inc. Specifications subject to change without further notice. Dimensional data is based on nominal values. Products may be subject to regional market considerations. License procedures may apply. Product may be subject to US Export Regulations. Please refer to exportquestions@flir.com with any questions. Diversion contrary to US law is prohibited.

For additional dimensions see page 1

| | | | |
|----------------------------------|---------------|------------------------------|------------------------|
| Modified 2014-02-18 | Check JOTA | Drawn by R&D Thermography | FLIR |
| Denomination | | | Sheet 7(9) |
| Basic dimensions FLIR T6xx mk II | | | Size A3 |
| | | | Scale 1:2 |
| | | | Drawing No. T128123 |
| | | | Size A |

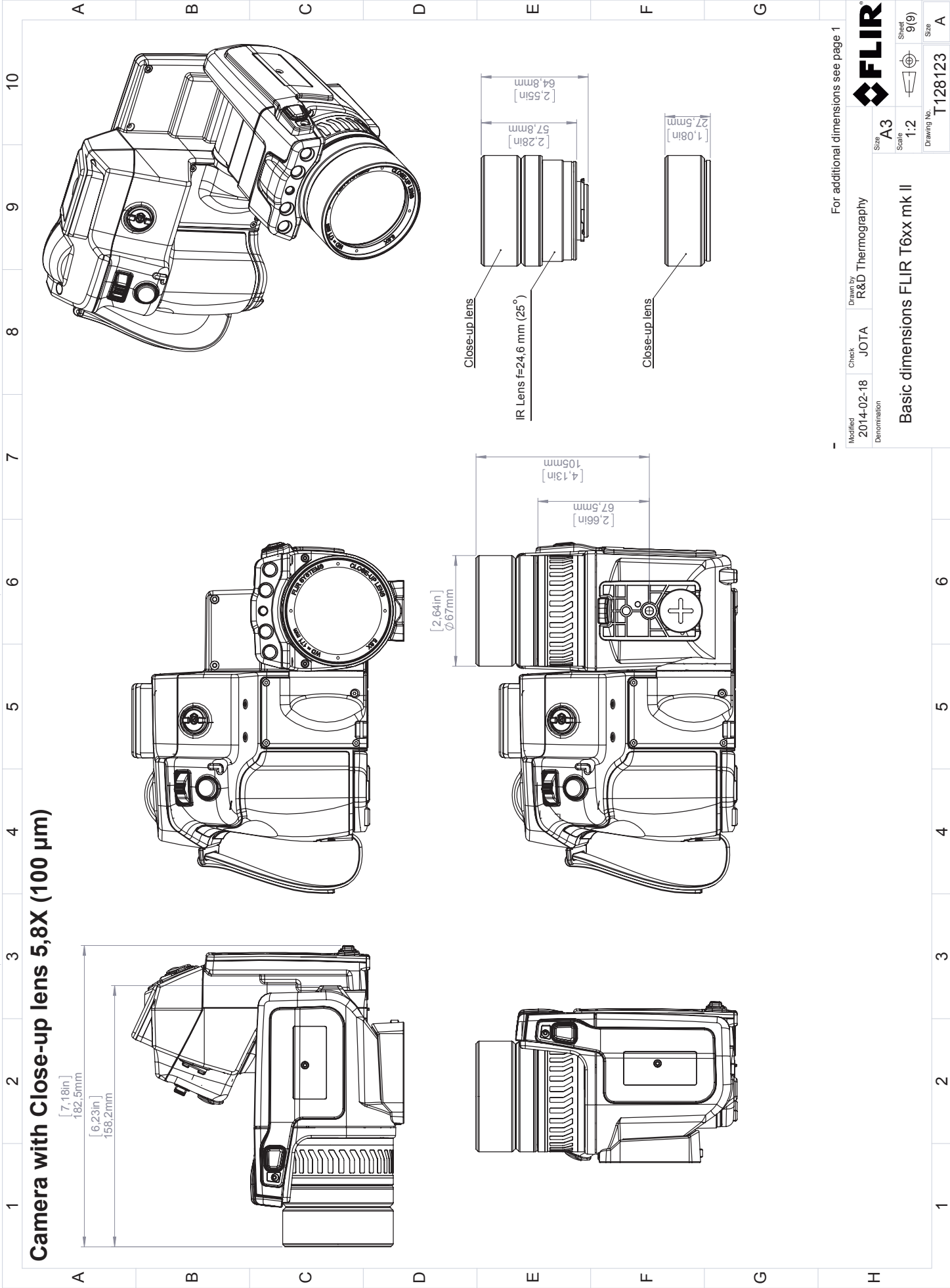
Camera with Close-up lens 2,9X (50 µm)



For additional dimensions see page 1

| | | | | |
|--|---------------|------------------------------|--------------|---------------|
| Modified 2014-02-18 | Check JOTA | Drawn by R&D Thermography | Size A3 | Sheet 8(9) |
| Denomination Basic dimensions FLIR T6xx mk II | | | Scale 1:2 | Size A |
| Drawing No. T128123 | | | Size A | |

Camera with Close-up lens 5,8X (100 µm)



© 2012, FLIR Systems, Inc. All rights reserved worldwide. No part of this drawing may be reproduced, stored in a retrieval system, or transmitted in any form, or by any means, electronic, mechanical, photocopying, recording, or otherwise, without written permission from FLIR Systems, Inc. Specifications subject to change without further notice. Dimensional data is based on nominal values. Products may be subject to regional market considerations. License procedures may apply. Product may be subject to US Export Regulations. Please refer to exportquestions@flir.com with any questions. Diversion contrary to US law is prohibited.

For additional dimensions see page 1

| | | | |
|----------------------------------|---------------|------------------------------|------------------------|
| Modified 2014-02-18 | Check JOTA | Drawn by R&D Thermography | FLIR |
| Denomination | | | Sheet 9(9) |
| Basic dimensions FLIR T6xx mk II | | | Size A3 |
| | | | Scale 1:2 |
| | | | Drawing No. T128123 |
| | | | Size A |

CE Declaration of Conformity

This is to certify that the System listed below have been designed and manufactured to meet the requirements, as applicable, of the following EU-Directives and corresponding harmonising standards. The systems consequently meet the requirements for the CE-mark.


Directives:

| | |
|-------------------------------|---|
| Directive 2004/108/EC; | Electromagnetic Compatibility |
| Directive 2006/95/EC; | “Low voltage Directive” (Power Supply) |
| Directive 1999/5/EC | “R&TTE on radio equipment and telecommunications terminal equipment” |
| Directive 2002/96/EC | Waste electrical and electronic equipment; WEEE (As applicable) |

Standards:

| | |
|-------------------------------|---|
| Emission: | EN 61000-6-3; Electro magnetic Compatibility Generic standards - Emission |
| Immunity: | EN 61000-6-2; Electro magnetic Compatibility; Generic standards - Immunity |
| Safety (Power Supply): | EN 60950; (or other) Safety of information technology equipment |
| Radio | ETSI EN 301489 |
| System: | FLIR T6xx series |

FLIR Systems AB
Quality Assurance



Björn Svensson
Director