

## P/N: 82507-0201

### Copyright

© 2021, FLIR Systems, Inc.

All rights reserved worldwide. Names and marks appearing herein are either registered trademarks or trademarks of FLIR Systems and/or its subsidiaries. All other trademarks, trade names or company names referenced herein are used for identification only and are the property of their respective owners.

### Document identity

Publ. No.: 82507-0201

Commit: 74966

Language:

Modified: 2021-03-24

Formatted: 2021-07-07

### Website

<http://www.flir.com>

### Customer support

<http://support.flir.com>

### Disclaimer

Specifications subject to change without further notice. Camera models and accessories subject to regional market considerations. License procedures may apply. Products described herein may be subject to US Export Regulations. Please refer to [exportquestions@flir.com](mailto:exportquestions@flir.com) with any questions.



<b>Imaging and optical data</b>	
Infrared resolution	464 × 348 pixels
UltraMax (super-resolution) <sup>1</sup>	Yes
NETD	<ul style="list-style-type: none"> <li>• &lt;30 mK, 42° @ +30°C (+86°F)</li> <li>• &lt;50 mK, 14° @ +30°C (+86°F)</li> </ul>
Field of view	<ul style="list-style-type: none"> <li>• 42° × 32°</li> <li>• 14° × 10°</li> </ul>
Minimum focus distance	<ul style="list-style-type: none"> <li>• 0.15 m (0.49 ft.), 42°</li> <li>• 1.0 m (3.28 ft.), 14°</li> </ul>
Minimum focus distance with MSX	<ul style="list-style-type: none"> <li>• 0.65 m (2.13 ft.), 42°</li> <li>• 1.0 m (3.28 ft.), 14°</li> </ul>
Focal length	<ul style="list-style-type: none"> <li>• 10 mm (0.39 in.), 42°</li> <li>• 29 mm (1.41 in.), 14°</li> </ul>
Spatial resolution (IFOV)	<ul style="list-style-type: none"> <li>• 1.66 mrad/pixel, 42°</li> <li>• 0.52 mrad/pixel, 14°</li> </ul>
Available extra lenses	<ul style="list-style-type: none"> <li>• 24° (AutoCal)</li> <li>• 6° (service calibration required)</li> </ul>
Lens identification	Automatic
f number	<ul style="list-style-type: none"> <li>• 1.1, 42°</li> <li>• 1.5, 14°</li> </ul>
Image frequency	30 Hz
Focus	<ul style="list-style-type: none"> <li>• Continuous LDM</li> <li>• One-shot LDM</li> <li>• One-shot contrast</li> <li>• Manual</li> </ul>
Field of view match	Yes
Digital zoom	1–6× continuous

1. Not supported when using macro.

P/N: 82507-0201

© 2021, FLIR Systems, Inc.

#82507-0201; r. 74966;

<b>Detector data</b>	
Focal plane array/spectral range	Uncooled microbolometer/7.5–14 μm
Detector pitch	17 μm

<b>Image presentation</b>	
Resolution (display)	640 × 480 pixels (VGA)
Surface brightness (cd/m <sup>2</sup> )	400
Screen size	4 in.
Viewing angle	80°
Color depth (bits)	24
Aspect ratio	4:3
Auto-rotation	Yes
Touchscreen	Optically bonded PCAP
Display technology	IPS
Cover glass material	Dragontrail®
Programmable buttons	2
Viewfinder	Yes
Image adjustment	<ul style="list-style-type: none"> <li>• Automatic</li> <li>• Automatic maximum</li> <li>• Automatic minimum</li> <li>• Manual</li> </ul>

<b>Image presentation modes</b>	
Infrared image	Yes
Visual image	Yes
MSX	Yes
Picture in picture	Resizable and movable
Gallery	Yes

<b>Measurement</b>	
Camera temperature range	<ul style="list-style-type: none"> <li>• -20 to 120°C (-4 to 248°F)</li> <li>• 0 to 650°C (32 to 1202°F)</li> <li>• 300 to 1500°C (572 to 2732°F)</li> </ul>
Object temperature range and accuracy (for ambient temp. 15 to 35°C (59 to 95°F))	<ul style="list-style-type: none"> <li>• Range -20 to 120°C (-4 to 248°F): <ul style="list-style-type: none"> <li>◦ -20 to 100°C (-4 to 212°F): ±2°C (±3.6°F)</li> <li>◦ 100 to 120°C (212 to 248°F): ±2%</li> </ul> </li> <li>• Range 0 to 650°C (32 to 1202°F): <ul style="list-style-type: none"> <li>◦ 0 to 100°C (32 to 212°F): ±2°C (±3.6°F)</li> <li>◦ 100 to 650°C (212 to 1202°F): ±2%</li> </ul> </li> <li>• Range 300 to 1500°C (572 to 2732°F): ±2%</li> </ul>

<b>Inspection mode</b>	
FLIR Inspection route	Enabled in the camera

<b>Measurement analysis</b>	
Spotmeter	3 in live mode
Area	3 in live mode
Automatic hot/cold detection	Automatic maximum/minimum markers within area

P/N: 82507-0201

© 2021, FLIR Systems, Inc.

#82507-0201; r. 74966;

<b>Measurement analysis</b>	
Measurement presets	<ul style="list-style-type: none"> <li>No measurements</li> <li>Center spot</li> <li>Hot spot</li> <li>Cold spot</li> <li>User preset 1</li> <li>User preset 2</li> </ul>
Difference temperature	Yes
Reference temperature	Yes
Emissivity correction	Yes, variable from 0.01 to 1.0 or selected from materials list
Measurement corrections	Yes
External optics/windows correction	Yes
<b>Alarm</b>	
Color alarm (isotherm)	<ul style="list-style-type: none"> <li>Above</li> <li>Below</li> <li>Interval</li> <li>Condensation (moisture/humidity/dewpoint)</li> <li>Insulation</li> </ul>
Measurement function alarm	Audible/visual alarms (above/below) on any selected measurement function
<b>Set-up</b>	
Color palettes	<ul style="list-style-type: none"> <li>Arctic</li> <li>White hot</li> <li>Black hot</li> <li>Iron</li> <li>Lava</li> <li>Rainbow</li> <li>Rainbow HC</li> </ul>
Setup commands	Local adaptation of units, language, date, and time formats
Languages	21
<b>Service functions</b>	
Camera software update	Using USB cable or SD card
<b>Storage of images</b>	
Storage media	Removable memory: SD card
Time lapse (Periodic image storage)	10 seconds to 24 hours (infrared)
Remote control operation	Using USB cable or Wi-Fi
Image file format	Standard JPEG, measurement data included. Infrared-only mode.
<b>Image annotations</b>	
Voice	60 seconds with built-in microphone and speaker (and via Bluetooth) on still images and video
Text	Text from predefined list or soft keyboard on touchscreen
Visual image annotation	Yes
Image sketch	Yes: on infrared only
Sketch	From touchscreen
METERLiNK	Wireless connection (Bluetooth) to: FLIR meters with METERLiNK
Laser distance meter information	Yes



# FLIR T840 42° + 14°

P/N: 82507-0201

© 2021, FLIR Systems, Inc.

#82507-0201; r. 74966;

<b>Image annotations</b>	
Area measurement information	Yes
GPS	Location data automatically added to every still image and first frame in video from built-in GPS
<b>Video recording in camera</b>	
Radiometric infrared-video recording	RTRR (.csq)
Non-radiometric infrared-video recording	H.264 to memory card
Visual video recording	H.264 to memory card
<b>Video streaming</b>	
Radiometric infrared-video streaming (compressed)	Over UVC
Non-radiometric video streaming (compressed: IR, MSX, visual, Picture in Picture)	<ul style="list-style-type: none"> <li>• H.264 (AVC) over RTSP (Wi-Fi)</li> <li>• MPEG4 over RTSP (Wi-Fi)</li> <li>• MJPEG over UVC and RTSP (Wi-Fi)</li> </ul>
Visual video streaming	Yes
<b>Digital camera</b>	
Resolution	5 MP with LED light
Focus	Fixed
Field of view	53° x 41°
Video lamp	Built-in LED light
<b>Laser pointer</b>	
Laser alignment	Position is automatically displayed on the infrared image
Laser distance meter	Activated by dedicated button
Laser	Class 2, 0.05–40 m (0.16–131 ft.) ±1% of measured distance
<b>Data communication interfaces</b>	
Interfaces	USB 2.0, Bluetooth, Wi-Fi, DisplayPort
METERLiNK/Bluetooth	Communication with headset and external sensors
Wi-Fi	Peer to peer (ad hoc) or infrastructure (network)
Audio	Microphone and speaker for voice annotation of images
USB	USB Type-C: data transfer/video/power
USB standard	USB 2.0 High Speed
Video out	DisplayPort
Video connector type	DisplayPort over USB Type-C

**P/N: 82507-0201**

© 2021, FLIR Systems, Inc.

#82507-0201; r. 74966;

<b>Radio</b>	
Operating frequency	Bluetooth + EDR/LE: 2402–2480 MHz WLAN 2.4 GHz: 2412–2462 MHz WLAN 5 GHz: 5150–5350 MHz (DFS: only slave mode) Note that frequency band 5150–5350 MHz is for indoor use only, see national regulations.
RF output (EIRP)	Bluetooth + EDR/LE: < 10 dBm WLAN: < 17 dBm
Antenna	Integrated PIFA antenna (gain: maximum 1.4 dBi)
<b>Power system</b>	
Battery type	Rechargeable Li-ion battery
Battery voltage	3.6 V
Battery operating time	> 4 hours at 25°C (68°F) with typical use
Charging system	In camera (AC adapter or 12 V from a vehicle) or two-bay charger
Charging time (using two-bay charger)	3.5 h to 90% capacity, on-screen indicator
Charging temperature	0°C to +45°C (+32°F to +113°F), except for the Korean market: +10°C to +45°C (+50°F to +113°F)
External power operation	AC adapter 90–260 V AC (50/60 Hz) or 12 V from a vehicle (cable with standard plug, optional)
Power management	Automatic shut-down and sleep mode
<b>Environmental data</b>	
Operating temperature range	–15 to +50°C (5–122°F)
Storage temperature range	–40 to +70°C (–40 to 158°F)
Humidity (operating and storage)	IEC 60068-2-30/24 hours, 95% relative humidity, 25–40°C (77–104°F)/2 cycles
EMC	<ul style="list-style-type: none"> <li>ETSI EN 301 489-1 (radio)</li> <li>ETSI EN 301 489-17</li> <li>EN 61000-6-2 (immunity)</li> <li>EN 61000-6-3 (emission)</li> <li>FCC 47 CFR part 15 B, class B (emission)</li> </ul>
Radio spectrum	<ul style="list-style-type: none"> <li>ETSI EN 300 328</li> <li>ETSI EN 301 893</li> <li>FCC 47 CFR part 15 C</li> <li>FCC 47 CFR part 15 E</li> </ul>
Encapsulation	IP 54 (IEC 60529)
Shock	25g (IEC 60068-2-27)
Vibration	2g (IEC 60068-2-6)
Safety	Camera: <ul style="list-style-type: none"> <li>IEC/EN 60950-1, IEC/EN 62368-1</li> </ul> Power supply: <ul style="list-style-type: none"> <li>IEC/EN 62368-1</li> <li>CSA/UL/KC/SAA/PSE 60950-1</li> </ul>

P/N: 82507-0201

© 2021, FLIR Systems, Inc.

#82507-0201; r. 74966;

Physical data	
Weight (including battery)	1.4 kg (3.1 lb.)
Size (L x W x H)	<ul style="list-style-type: none"> <li>• Lens vertical: 164.3 x 201.3 x 84.1 mm (6.5 x 7.9 x 3.3 in.)</li> <li>• Lens horizontal: 164.3 x 201.3 x 167.3 mm (6.5 x 7.9 x 6.6 in.)</li> </ul>
Battery weight	195 g (6.89 oz.)
Battery size (L x W x H)	59 x 66 x 94 mm (2.3 x 2.6 x 3.7 in.)
Tripod mounting	UNC 1/4"-20
Housing material	PCABS with TPE, magnesium
Color	Black

Warranty and service	
Warranty	<a href="http://www.flir.com/warranty/">http://www.flir.com/warranty/</a>

Shipping information	
Packaging, type	Cardboard box
Packaging, contents	<ul style="list-style-type: none"> <li>• Accessory box I: <ul style="list-style-type: none"> <li>◦ Power supply for battery charger</li> <li>◦ Power supply, 15 W/3 A</li> <li>◦ Printed documentation</li> <li>◦ SD card (8 GB)</li> <li>◦ USB 2.0 A to USB Type-C cable</li> <li>◦ USB Type-C to HDMI and PD adapter</li> <li>◦ USB Type-C to USB Type-C cable (USB 2.0 standard)</li> </ul> </li> <li>• Accessory box II: <ul style="list-style-type: none"> <li>◦ Lens cap strap</li> <li>◦ Lens cleaning cloth</li> <li>◦ Neck strap</li> <li>◦ Small eyecup</li> </ul> </li> <li>• Battery (2 ea)</li> <li>• Battery charger</li> <li>• Extra lens, 14°</li> <li>• Hard transport case</li> <li>• Infrared camera with lens</li> <li>• Lens cap, front</li> <li>• Lens cap, front and rear (only for extra lenses)</li> <li>• License card: FLIR Thermal Studio Pro (3 month subscription) + FLIR Route Creator Plugin for Thermal Studio Pro (3 month subscription)</li> </ul>
Packaging, weight	6.3 kg (13.9 lb.)
Packaging, size	500 x 190 x 370 mm (19.7 x 7.5 x 14.6 in.)
EAN-13	7332558025628
UPC-12	845188019020
Country of origin	Sweden

### Supplies & accessories:

- T300238; Macro lens 2.0x with case
- T300095; IR lens, f=70 mm (6°) with case
- T131171ACC; Remote operation button
- T199300ACC; Battery
- T199347ACC; Hard transport case for FLIR T8xx, T5xx, and GF7x series
- T199610; Battery charger
- T300030; Option, No radio



## FLIR T840 42° + 14°

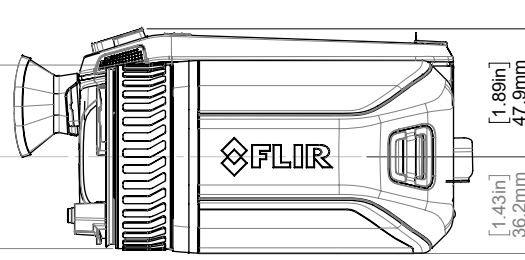
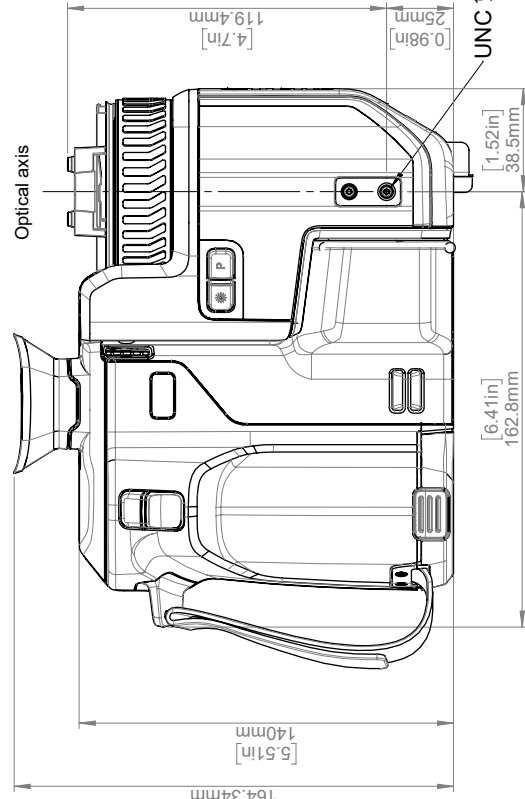
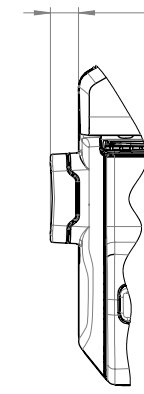
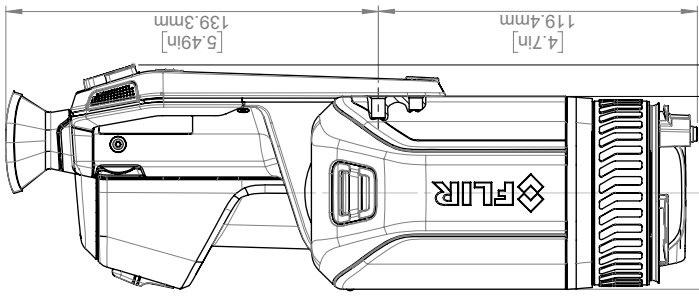
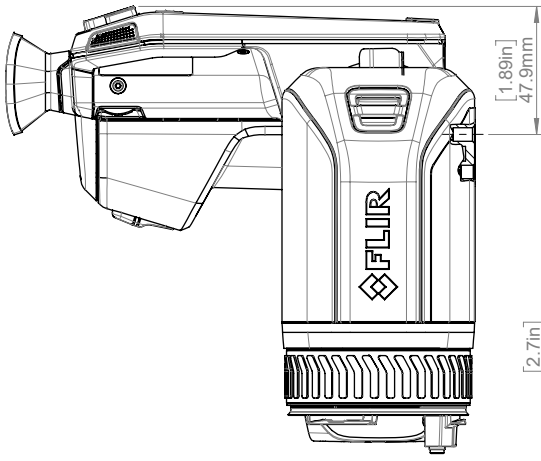
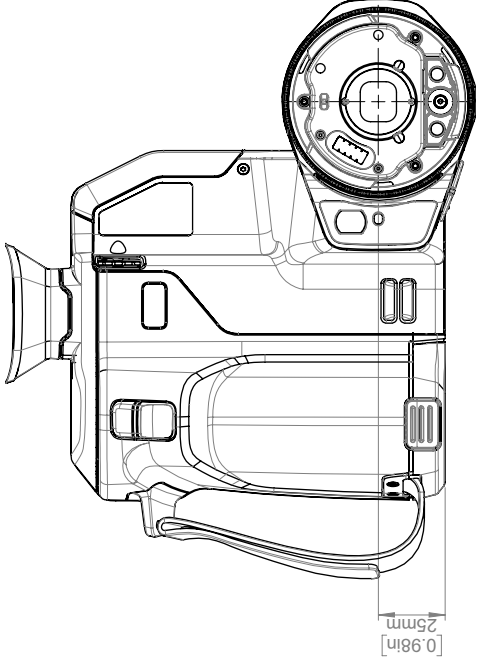
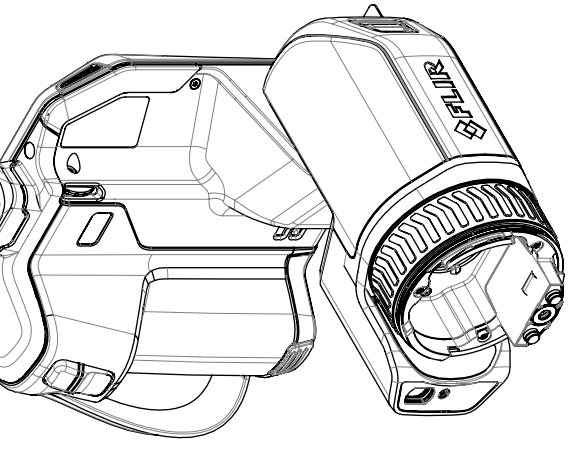
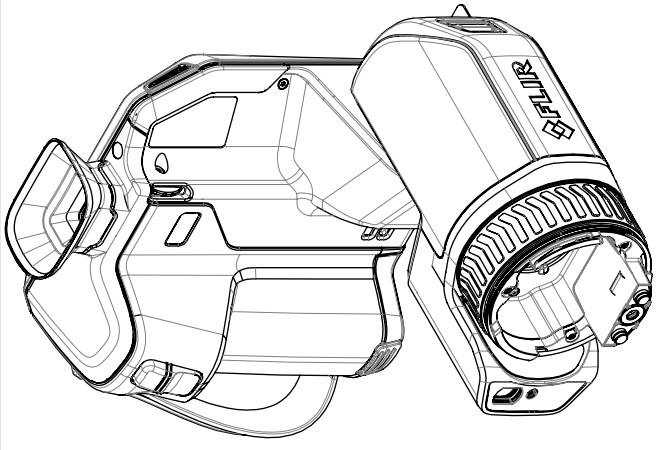
**P/N: 82507-0201**

© 2021, FLIR Systems, Inc.

#82507-0201; r. 74966;

- T911997; Tripod
- T911998; HDMI 2-port video splitter
- T300369; Mounting kit (FLIR T5xx, T8xx, Exx)
- T130531ACC; Large eyecup
- T300188; Hand strap and neck strap
- T850105; FLIR Inspection Route - Camera Option
- T850111; Option, Dual streaming
- T130337ACC; Calibration target
- T911630ACC; Power supply for camera, 15 W/3 A
- T911631ACC; USB 2.0 A to USB Type-C cable, 0.9 m
- T911633ACC; Power supply for battery charger
- T911705ACC; USB Type-C to USB Type-C cable (USB 2.0 standard), 1.0 m
- T911706ACC; Car adapter 12 V
- T911845ACC; USB Type-C to HDMI and PD adapter
- T911846ACC; USB 2.0 A to USB Type-C with Power supply
- T300437ACC; Lens case
- T199589; IR lens, f=17 mm (24°) with case
- T199588; IR lens, f=29 mm (14°) with case
- T199590; IR lens, f=10 mm (42°) with case
- T198495; Pouch
- T197771ACC; Bluetooth Headset
- T300244; FLIR Route Creator Plugin for FLIR Thermal Studio Pro, 1 Year Subscription
- T300342; FLIR Screen-EST, Perpetual license
- T300243; FLIR Thermal Studio Pro, 1 Year Subscription
- T300083; FLIR Thermal Studio Pro, Perpetual license
- T300341; FLIR Thermal Studio Standard, 1 Year Subscription
- T300258; FLIR Thermal Studio Standard, Perpetual license
- T198583; FLIR Tools+ (download card incl. license key)
- T198696; FLIR ResearchIR Max 4 (hardware sec. dev.)
- T199013; FLIR ResearchIR Max 4 (printed license key)
- T199043; FLIR ResearchIR Max 4 Upgrade (printed license key)
- INST-EW-0155; Extended Warranty 1 Year for A3xxf, T540, T600/bx, T610, T840, T860
- INST-EWGM-0165; Premium Service Package for T540, T600/bx, T610, T840, T860
- INST-GM-0150; General Maintenance Package for T540, T6xx, T840, T860

# Camera housing



**FLIR**

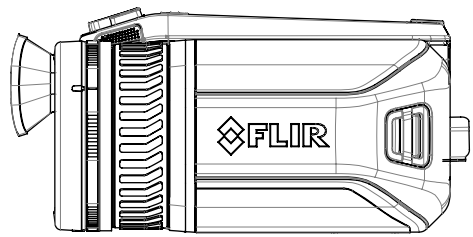
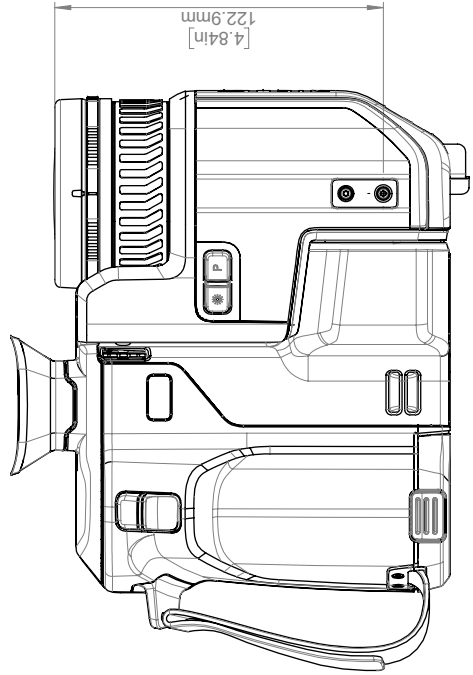
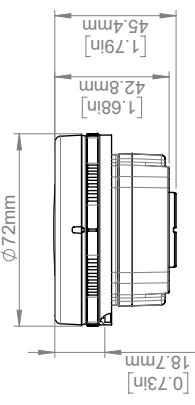
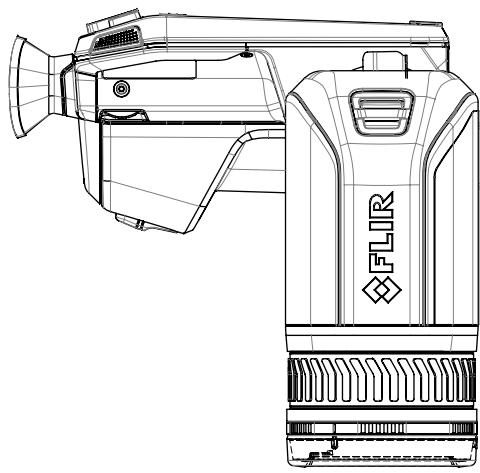
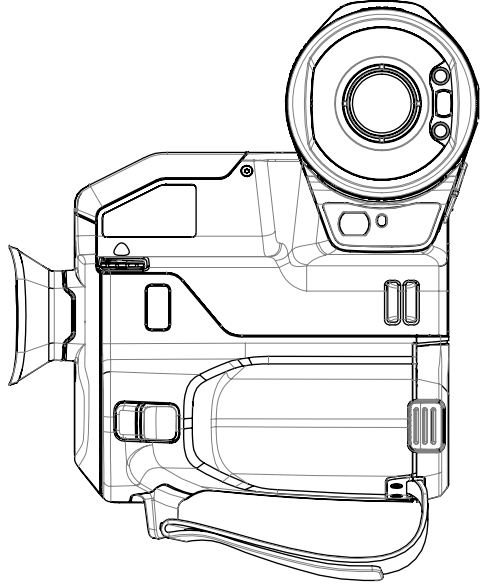
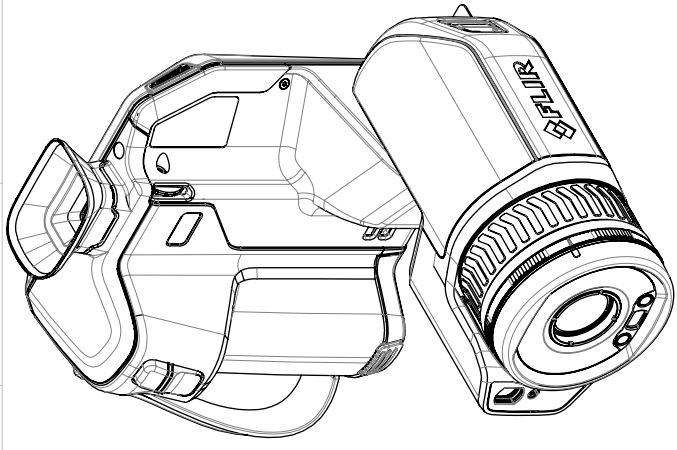
Size: A3  
 Scale: 1:2  
 Drawing No: T129914  
 Rev: C

Modified: 2020-01-14  
 Check: JOHE  
 Drawn by: R&D Instruments  
 Denomination: Basic dimensions FLIR T8xx

© 2016, FLIR Systems, Inc. All rights reserved worldwide. No part of this drawing may be reproduced, stored in a retrieval system, or transmitted in any form, or by any means, electronic, mechanical, photocopying, recording, or otherwise, without written permission from FLIR Systems, Inc. Specifications subject to change without further notice. Dimensional data is based on nominal values. Products may be subject to regional market considerations. License procedures may apply. Product may be subject to US Export Regulations. Please refer to exportquestions@flir.com with any questions. Diversion contrary to US law is prohibited.



Camera with Lens IR f=10mm (42°)  
 Camera with Lens IR f=17mm (24°)  
 Camera with Lens IR f=29mm (14°)  
 Camera with Lens IR Close-Up lens 2x

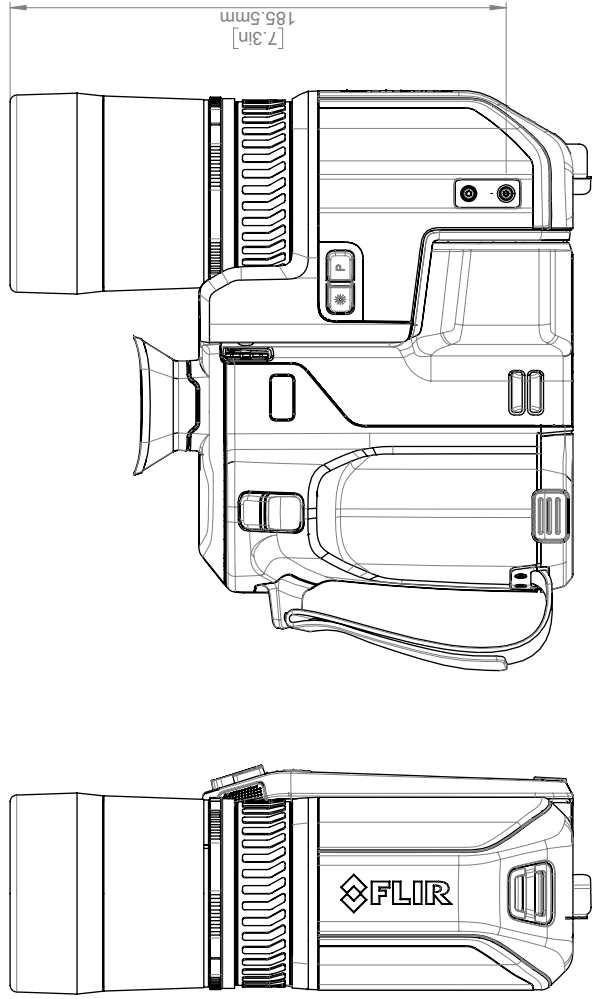
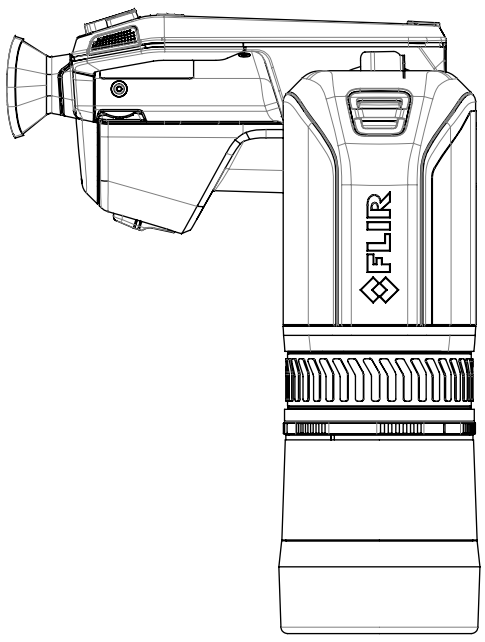
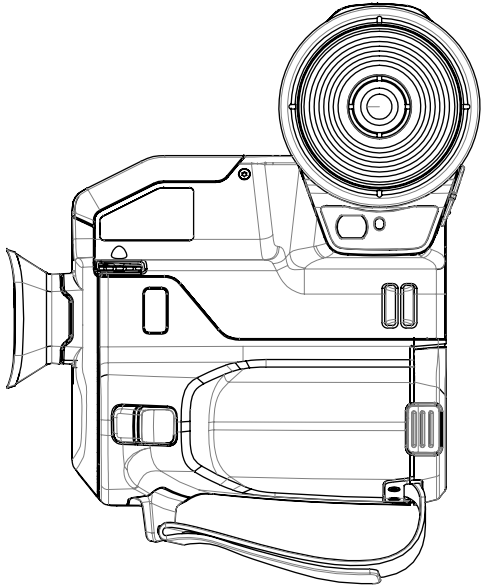
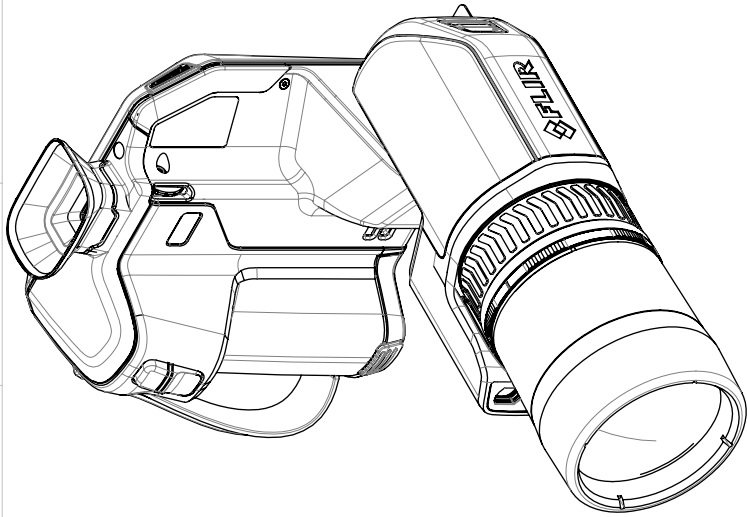


For additional dimensions see page 1

Modified 2020-01-14 Denomination	Check JOHE	Drawn by R&D Instruments	Size A3	Sheet 2(4)	Rev C
Basic dimensions FLIR T8xx			Scale 1:5	Drawing No. T129914	

© 2016, FLIR Systems, Inc. All rights reserved worldwide. No part of this drawing may be reproduced, stored in a retrieval system, or transmitted in any form, or by any means, electronic, mechanical, photocopying, recording, or otherwise, without written permission from FLIR Systems, Inc. Specifications subject to change without further notice. Dimensional data is based on nominal values. Products may be subject to regional market considerations. License procedures may apply. Product may be subject to US Export Regulations. Please refer to exportquestions@flir.com with any questions. Diversion contrary to US law is prohibited.

# Camera with Lens IR f=70mm (6°)



For additional dimensions see page 1

Modified 2020-01-14 Denomination	Check JOHE	Drawn by R&D Instruments	Size A3	Sheet 3(4)	Rev C
Basic dimensions FLIR T8xx			Scale 1:5	Drawing No. T129914	

© 2016, FLIR Systems, Inc. All rights reserved worldwide. No part of this drawing may be reproduced, stored in a retrieval system, or transmitted in any form, or by any means, electronic, mechanical, photocopying, recording, or otherwise, without written permission from FLIR Systems, Inc. Specifications subject to change without further notice. Dimensional data is based on nominal values. Products may be subject to regional market considerations. License procedures may apply. Product may be subject to US Export Regulations. Please refer to exportquestions@flir.com with any questions. Diversion contrary to US law is prohibited.

Täby, Sweden July 07, 2021

AQ320246

## CE Declaration of Conformity – EU Declaration of Conformity

**Product:**

**Name and address of the manufacturer:** FLIR Systems AB  
 PO Box 7376  
 SE-187 15 Täby, Sweden

This declaration of conformity is issued under the sole responsibility of the manufacturer.

The object of the declaration: FLIR T5XX-, T8XX- and GF7X-series (Product Model Name FLIR-T8210).

The object of the declaration described above is in conformity with the relevant Union harmonisation legislation:

**Directives**

Directive	2012/19/EU	Waste electrical and electric equipment
Directive	2011/65/EU	RoHS and 2015/830/EU (Phtalates)
Directive	2014/53/EU	Radio Equipment Directive (RED)

**Standards**

Emission:	EN 61000-6-3/A1:2011	EMC – Generic standards
Immunity:	EN 61000-6-2:2005	Electromagnetic Compability Generic
	EN 301489-1:2016 v2.1.0	ERM – EMC for radio equipment
	EN 301489-17:2012 v2.2.1	ERM – EMC Wideband data
EMC Radio	ETSI EN 301 489-17 v3.2.0	EMC for radio, broadband data transmission
RoHS:	EN 50581:2012	Technical documentation
Radio:	ETSI EN 300 328 v2.2.2	Harmonized EN covering essential requirements of the R&TTE Directive
	ETSI EN 301 893 v.2.1.1	5GHz WLAN
Safety:	IEC 62368-1:2014 Ed 2 and Cor. 1:2015, EN 62368-1:2014/AC:2015/A11:2017	Audio/video, information and communication technology equipment, Part 1: Safety

**FLIR Systems AB**  
 Quality Assurance



Lea Dabiri  
 Quality Manager