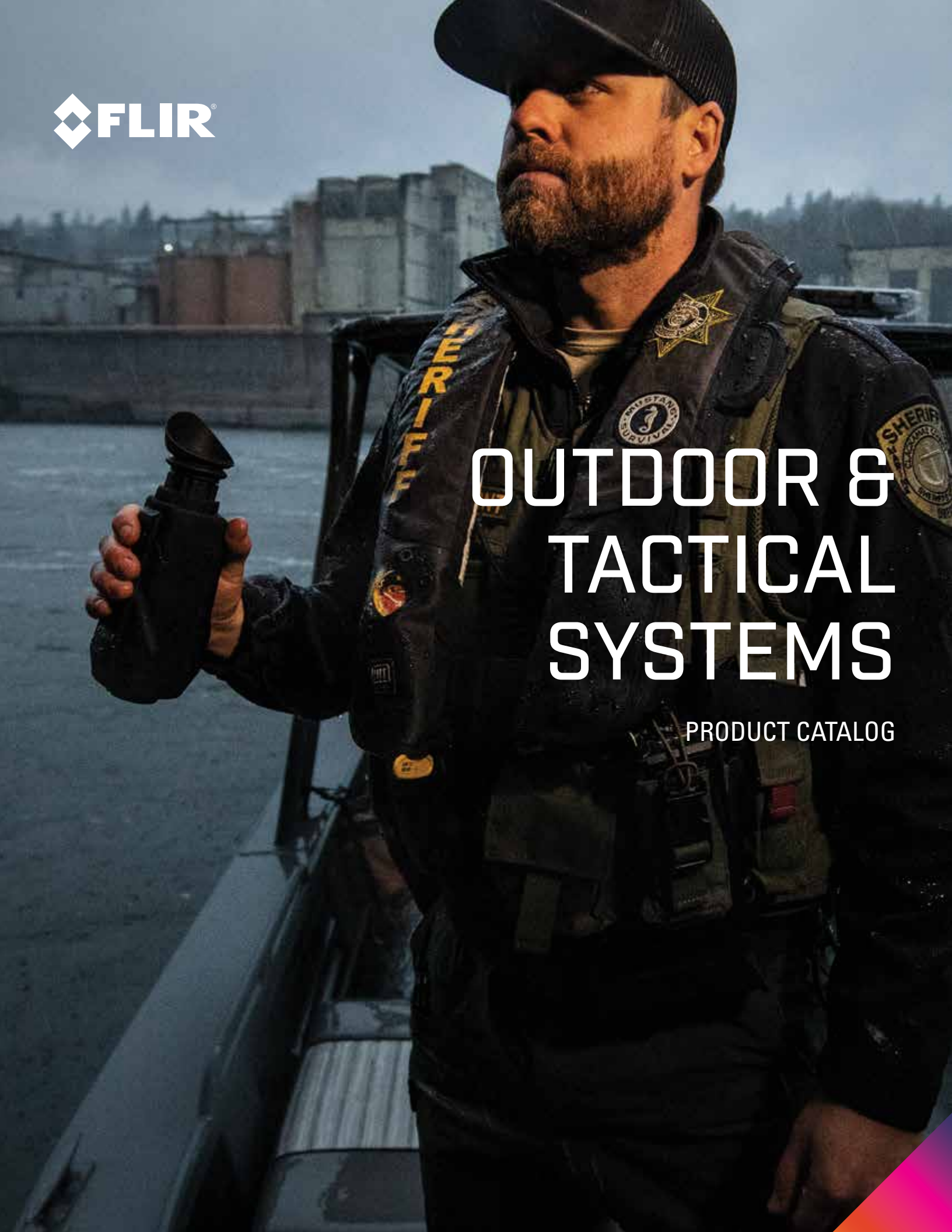




OUTDOOR & TACTICAL SYSTEMS

PRODUCT CATALOG





CONTENTS

THERMAL IMAGING

MONOCULARS & BINOCULARS

SCION PTM	8
SCION OTM	9
SCOUT II	11
SCOUT III	11
SCOUT TK	11
BREACH	12
LS/XR	13
PROMETHEUS	14
PROMETHEUS C	14
COMMAND	15

THERMAL IMAGING DEDICATED & CLIP-ON RIFLESCOPES

THERMOSIGHT PRO PTS233	18
THERMOSIGHT PRO PTS536	18
THERMOSIGHT PRO PTS736	18
PREDATOR	19
ZEUS	20
ZEUS PRO	20
APOLLO	21
APOLLO PRO MR	21
APOLLO PRO LR	21
THERMAL PRODUCT SPECS. ...	22-23

NIGHT VISION

MONOCULARS, GOGGLES, & BINOCULARS

MNVD-40	26
MNVD-51	26
PVS-14	27
PVS-14-51	27
SPARK	28
SIRIUS	28
BNVD-40	29
BNVD-51	29
NYX-7	30
NYX-7 PRO	30
PVS-7	30
DISCOVERY 5X	31
IR850-XLR	31

NIGHT VISION DEDICATED & CLIP-ON RIFLESCOPES

VAMPIRE	34
VULCAN	34
NEMESIS	34
CO-MINI	35
CO-X	35
CO-LR-LRF	36
CO-XLR-LRF	36
NIGHT VISION PRODUCT SPECS. ...	37

DIRECT VIEW

MCS	39
T-MAIM	39

EXPORT INFORMATION

FLIR products are subject to the International Traffic in Arms Regulations (ITAR). The "Use" of any ITAR-controlled products requires that prior authorization be obtained from the U.S. Department of State to allow non-U.S. persons and affiliates to use these FLIR products.

*Equipment described herein may require U.S. Government authorization for export purposes. Diversion contrary to US law is prohibited.



A soldier in silhouette, holding a rifle, stands against a blue-tinted background. The soldier is positioned on the left side of the frame, facing right. The background is a gradient of blue, with some faint, indistinct shapes that could be trees or structures. The overall mood is serious and focused.

PROBLEMS SEEN ARE PROBLEMS SOLVED

The human eye only tells part of the story. When danger lies in the darkness, through the haze, or under the brush, FLIR outfits military and law enforcement professionals with tools to counter unseen threats. Years of battle-tested innovation help FLIR technologies combat the unknown, maximizing confidence and readiness of the modern warfighter. From advanced vehicle-mounted targeting systems to unmanned personal reconnaissance systems, each branch of the military relies on FLIR technologies to heighten situational awareness and save lives on the battlefield.

INNOVATION LEADER

With 241 patents filed and over \$290 million invested in research and development over the past year, FLIR is committed to driving innovation of thermal imaging and sensing technologies. Whether increasing top-end performance of existing systems or improving the accessibility of thermal solutions, FLIR's continued investment in technology helps face some of the world's most pressing challenges.

GLOBAL REACH

FLIR develops and distributes advanced sensing systems to improve the safety and well-being of people around the world. With product distribution spanning 173 different countries, FLIR aims to expand the positive global impact of thermal imaging technology.



THERMAL IMAGING MONOCULARS & BINOCULARS



Thermal imaging handheld optics generate images based on heat energy—or infrared radiation—rather than visible light. Invisible to the naked eye, infrared radiation is emitted by all humans, animals, and objects, allowing thermal sensors to operate in complete darkness, through glaring light, and in the presence of smoke, fog, or sparse vegetation. Handheld monoculars and binoculars bring on-demand thermal surveillance to law enforcement officers and outdoor enthusiasts. Compact, man-portable thermal imagers quickly detect objects of interest and boost situational awareness while on foot or from a vehicle, allowing users to scan fields, forests, and urban environments without revealing their position.



THERMAL IMAGING MONOCULAR
FLIR SCION™

FLIR SCION™ PTM

Built to equip law enforcement professionals with superior thermal surveillance, the FLIR Scion™ PTM packs high-performance thermal imaging and FLIR TruWITNESS® compatibility into a rugged, IP67-rated handheld monocular. Capable of geo-tagged video recording and live video transmission, the Scion PTM can instantly stream encrypted thermal footage of any pursuit, evidence recovery, or search and rescue effort to the command center via wireless network. A smooth 60 Hz refresh rate and picture-in-picture zoom capture minute details from a distance and maintain peripheral awareness for constant thermal supervision of suspects, team members, and standbys.

Detector	336 x 256 640 x 512 VOx
Refresh Rate	60 Hz
Focal Length	13.8 mm, 25 mm
Weather Rating	IP67
Detection Range	280 m 510 m 560 m



CENTRAL SECURITY SYSTEM

The innovative TruWITNESS® platform links smart sensors on the ground, in the air, and everywhere in-between to augment the VMS (Video Management System) fixed and integrated assets, allowing enhanced situational awareness with real-time centralized information for public safety agencies.
www.flir.com/TruWITNESS





THERMAL IMAGING MONOCULAR
FLIR SCION™

FLIR SCION™ OTM

The FLIR Scion™ OTM leverages high-performance thermal imaging and a refined user interface to quickly detect objects of interest and provide superior awareness in low visibility conditions. Built around FLIR's powerful Boson core, the Scion OTM produces smooth thermal imaging up to 60 Hz and captures geotagged video and still images for playback long after the day is done. A rugged, IP67-rated housing and intuitive controls allow single-hand operation in harsh weather conditions, maintaining reliable thermal imaging in the most demanding outdoor environments.

Detector	336 x 256 640 x 512 VOx
Refresh Rate	60 Hz
Focal Length	13.8 mm, 18 mm, 25 mm
Weather Rating	IP67
Detection Range	280 m 510 m 560 m



FLIR SCION™ OTM

The FLIR Scion™ OTM captures clear thermal imaging and leverages a refined user interface to quickly detect objects of interest in complete darkness and through glaring light or haze. Built around FLIR's powerful Boson core, the Scion OTM produces 9 Hz thermal imaging and records geotagged video and still images for playback long after the day is done. A rugged, IP67-rated housing and intuitive controls allow single-hand operation in harsh weather conditions, maintaining reliable thermal imaging in the most demanding outdoor environments.

Detector	336 x 256 640 x 512 VOx
Refresh Rate	9 Hz
Focal Length	13.8 mm, 18 mm, 25 mm
Weather Rating	IP67
Detection Range	280 m 510 m 560 m







THERMAL IMAGING MONOCULAR
FLIR SCOUT™

FLIR SCOUT® II

Offering clear thermal imaging in a compact monocular, Scout II quickly detects humans, animals, and objects in low visibility environments—day or night. Generating images based on heat, rather than visible light, thermal imaging gives users increased situational awareness in complete darkness and haze, providing reliable vision for surveillance and safe navigation. A rugged IP67 housing allows on-demand thermal imaging in the most trying conditions.

Detector	240 x 180 336 x 256 640 x 512 VOx
Refresh Rate	9 Hz
Focal Length	13 mm, 19 mm, 35 mm
Weather Rating	IP67
Detection Range	350 m, 550 m, 1140 m



FLIR SCOUT® III

Scout III captures sharp thermal imaging at a fast framerate for smooth, impeccable vision on running targets and from moving vehicles. Designed to increase situational awareness at any time of day, Scout III can detect humans, animals, and objects in complete darkness, haze, or through glaring light. A rugged IP67 rated housing stands up to harsh weather and drops, equipping law enforcement professionals, hunters, and outdoor enthusiasts with reliable thermal imaging in tough conditions.

Detector	240 x 180 336 x 256 640 x 512 VOx
Refresh Rate	30 Hz, 60 Hz
Focal Length	13 mm, 19 mm, 35 mm
Weather Rating	IP67
Detection Range	350 m, 550 m, 1140 m



FLIR SCOUT® TK

The FLIR Scout TK is a pocket-sized thermal vision monocular for exploring the outdoors at night and in lowlight conditions. Scout TK reveals your surroundings and helps you see people, objects, and animals over 100 yards (90 m) away. Simple to use, with still image and video recording, Scout TK is the perfect companion, whether in the back country or your own backyard.

Detector	160 x 120 VOx
Refresh Rate	9 Hz
Focal Length	13 mm
Onboard Recording	Video/Images
Detection Range	90 m





THERMAL IMAGING MONOCULAR
FLIR BREACH™

FLIR BREACH®

Built for the rigors of law enforcement, the FLIR Breach® PTQ136 spots the heat of suspects and objects in total darkness. Featuring the latest FLIR Boson core and a compact design, the FLIR Breach offers unmatched tactical awareness. Weighing only 7.4 ounces (210 grams), the FLIR Breach can be concealed in a pocket or mounted to a helmet with its mini-rail feature, while adding minimal weight to officers' heavy gear. Additional features include onboard recording and seven palettes for fast detection of suspects or evidence, day or night.

Detector	320 x 256 VOx
Refresh Rate	60 Hz
Focal Length	16 mm
Digital Zoom	4x
Detection Range	205 m





THERMAL IMAGING MONOCULAR
FLIR LS/X-R™

FLIR LS/X-R™

The FLIR LS-X and LS-XR handheld thermal monoculars are designed for the men and women who protect and serve. This powerful, easy-to-use imager gives officers the tactical advantage when pursuing suspects, looking for evidence, or conducting search and rescue. The LS-X and LS-XR feature high resolution displays, extended zooming capabilities, and video output. Whatever you need to see, find it with the FLIR LS-X and LS-XR.

Detector	336 x 256 640 x 512 VOx
Refresh Rate	7.5 Hz, 30 Hz, 60 Hz
Focal Length	19 mm, 35 mm
Weather Rating	IP67
Detection Range	550 m, 1140 m





THERMAL IMAGING MONOCULAR
FLIR PROMETHEUS™

FLIR PROMETHEUS™

The FLIR Prometheus combines a focusable 50 mm optical lens with the trusted performance of FLIR's Tau 2 thermal imaging core. Designed for mid-range thermal surveillance and capable of refresh rates up to 60 Hz, the Prometheus captures a smooth, crisp image to maintain sightlines on moving objects of interest.

Detector	336 x 256 640 x 512 VOx
Refresh Rate	9 Hz, 30 Hz, 60 Hz
Focal Length	50 mm
Focus	Manual
Detection Range	1470 m



FLIR PROMETHEUS C™

Built on FLIR's Tau 2 thermal core, the Prometheus C packs trusted thermal imaging into a compact, handheld monocular. Onboard image processing and a 25 mm optical lens offer clear thermal surveillance at any time of day while simple controls and a reinforced housing stand up to harsh environments.

Detector	336 x 256 640 x 512 VOx
Refresh Rate	9 Hz, 30 Hz, 60 Hz
Focal Length	25 mm
Focus	Fixed
Detection Range	730 m





LONG-RANGE THERMAL IMAGING BI-OCULAR
FLIR COMMAND™

FLIR COMMAND™

Built for long-range surveillance in complete darkness, the FLIR Command packs high-performance thermal imaging into a 50 mm, 75 mm, or 100 mm lens bi-ocular. Command's ergonomic design offers comfort during sustained viewing periods while a rugged housing and FLIR Tau 2 thermal core generate dependable imagery in snow, dust, smoke, fog, and haze.

Detector	336 x 256 640 x 512 VOx
Refresh Rate	9 Hz, 30 Hz, 60 Hz
Focal Length	50 mm, 75 mm, 100 mm
Focus	Manual
Detection Range	1470 m, 2200 m, 2940 m





THERMAL IMAGING

DEDICATED & CLIP-ON RIFLESCOPES



Thermal imaging riflescopes generate images based on heat energy—or infrared radiation—rather than visible light. Invisible to the naked eye, infrared radiation is emitted by all humans, animals, and objects. After the sun sets and the countryside fades, thermal riflescopes provide unwavering downrange vision for reliable shot placement. Designed to engage short- or long-range targets, dedicated thermal weapon sights and integrated clip-on systems perform at any time of day, piercing complete darkness, glaring light, and lingering haze.



THERMAL IMAGING RIFLESCOPE
**FLIR THERMOSIGHT™
 PRO**

FLIR THERMOSIGHT™ PRO PTS233

Powered by the breakthrough FLIR Boson core, the ThermoSight Pro Series® PTS233 riflescope allows rapid target acquisition in complete darkness and other challenging visibility conditions. Featuring a 12 µm pixel pitch sensor and fixed 19mm lens, the PTS233 delivers sharp thermal imaging with a 12° × 9.5° field of view for heightened precision. The entire ThermoSight Pro Series offers an uncompressed video signal, a high definition display, and shot-activated video recording.

Detector	336 x 256 VOx
Refresh Rate	60 Hz
Focal Length	19 mm
Focus	Fixed
Detection Range	425 m



FLIR THERMOSIGHT™ PRO PTS536

Offering precise shot placement day and night, the ThermoSight Pro Series® PTS536 riflescope captures high-performance thermal imaging downrange. Featuring a 12 µm pixel pitch sensor and 50mm manual focus lens, the PTS536 delivers brilliant, clean thermal imaging with a 4.5° × 3.5° field of view for superior precision on mid-range targets. The entire ThermoSight Pro Series offers an uncompressed video signal, a high definition display, and shot-activated video recording.

Detector	336 x 256 VOx
Refresh Rate	60 Hz
Focal Length	50 mm
Focus	Manual
Detection Range	1130 m



FLIR THERMOSIGHT™ PRO PTS736

Powered by the breakthrough FLIR Boson core, ThermoSight® Pro Series weapon sights set the standard for thermal detection and classification. Three unique lens options designed for short- to long-range engagement and a 12 µm pixel pitch sensor produce brilliant, clean thermal imaging for repeatable shot precision. The entire ThermoSight Pro Series offers an uncompressed video signal, a high definition display, and shot-activated video recording.

Detector	336 x 256 VOx
Refresh Rate	60 Hz
Focal Length	75 mm
Focus	Manual
Detection Range	1700 m





THERMAL IMAGING RIFLESCOPE
FLIR PREDATOR™

FLIR PREDATOR™

Ready for day and night engagements, the FLIR Predator offers trusted thermal imaging in a compact, standalone weapon sight. Built with FLIR's Tau 2 thermal core, the Predator can detect targets in complete darkness and through atmospheric obscurants such as snow, dust, smoke, and fog. The lightweight and intuitive weapon sight offers multiple user-controlled palettes and reticles for better target visibility and shot accuracy.

Detector	336 x 256 VOx
Refresh Rate	30 Hz, 60 Hz
Focal Length	25 mm
Focus	Fixed
Detection Range	730 m



FLIR ZEUS™

The FLIR Zeus is a solid-state, uncooled, standalone longwave infrared rifle scope. Reliable thermal imaging allows 24/7 mission capability, making day and night engagements possible with a single weapon sight. Ideal for limited-visibility situations, the Zeus allows you to detect targets through snow, dust, smoke, fog, haze, and other atmospheric obscurants.

Detector	336 x 256 640 x 512 VOx
Refresh Rate	30 Hz, 60 Hz
Focal Length	50 mm, 75 mm
Focus	Manual
Detection Range	1470 m, 2200 m



FLIR ZEUS PRO™

The FLIR Zeus Pro thermal weapon sight offers a digital inclinometer, electronic compass, and multiple ballistic drop reticles for accuracy on long-range targets. Intuitive controls make range estimation and target orientation simple while onboard algorithms and user-controlled reticle adjustments work in tandem to deliver precise shots on-target, day or night.

Detector	336 x 256 640 x 512 VOx
Refresh Rate	30 Hz, 60 Hz
Focal Length	50 mm, 100 mm
Focus	Manual
Detection Range	1470 m, 2940 m

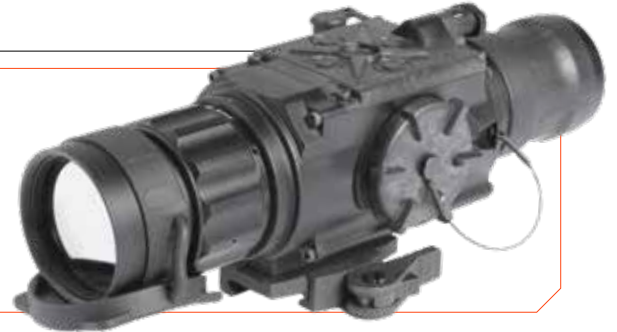


THERMAL IMAGING CLIP-ON
FLIR APOLLO™

FLIR APOLLO™

The FLIR Apollo introduces thermal imaging to any standard daytime optic—no rezeroing needed. Fastened in front of a magnified sight via Picatinny quick-release mount, the Apollo brings state-of-the-art thermal technology to an existing set-up in seconds. Detect targets in complete darkness or through atmospheric obscurants without the need to remove daytime optics.

Detector	336 x 256 640 x 512 VOx
Refresh Rate	30 Hz, 60 Hz
Focal Length	50 mm
Focus	Manual
Detection Range	1470 m



FLIR APOLLO™ PRO MR

Converting any standard day scope into a thermal imager, the FLIR Apollo Pro MR detects and engages targets day or night. The Apollo Pro MR packs state-of-the-art technology into a rugged housing, providing sharp thermal imaging in the toughest conditions. Quick-release Picatinny rail mounting makes installation possible in seconds and using an existing day scope reticle allows immediate shot precision—no rezeroing required.

Detector	336 x 256 640 x 512 VOx
Refresh Rate	30 Hz, 60 Hz
Focal Length	50 mm
Focus	Manual
Detection Range	1470 m



FLIR APOLLO™ PRO LR

Designed for long-range target detection and engagement, the FLIR Apollo Pro LR adds high-performance thermal imaging to any standard day scope. Using an existing ballistic reticle for shot placement, the Apollo Pro LR provides immediate precision by quickly mounting in front of day optics—no rezeroing needed. Accompanying mobile app and remote control simplify quick configuration changes and can provide valuable range estimation, target orientation, and weather data.

Detector	336 x 256 640 x 512 VOx
Refresh Rate	30 Hz, 60 Hz
Focal Length	100 mm
Focus	Manual
Detection Range	1470 m , 2940 m



THERMAL PRODUCT SPECIFICATIONS

SPECS	SCOUT TK	SCOUT II 240	SCOUT II 320	SCOUT II 640	SCOUT III 240	SCOUT III 320	SCOUT III 640	LS-X	LS-XR
DETECTOR	160 x 120 Lepton®	240 x 180 17µm microbolometer	336 x 256 17µm microbolometer	640 x 512 17µm microbolometer	240 x 180 17µm microbolometer	336 x 256 17µm microbolometer	640 x 512 17µm microbolometer	336 x 256 17µm microbolometer	640 x 512 17µm microbolometer
LENS	13 mm Fixed Focus	13 mm Fixed Focus	19 mm Fixed Focus	35 mm Fixed Focus	13 mm Fixed Focus	19 mm Fixed Focus	35 mm Fixed Focus	19 mm Fixed Focus	35 mm Fixed Focus
FIELD OF VIEW	18° x 14°	24° x 18°	17° x 13°	18° x 14°	24° x 18°	17° x 13°	18° x 14°	17° x 13°	18° x 14°
DETECTION RANGE*	90 m	350 m	550 m	1140 m	350 m	550 m	1140 m	550 m	1140 m
OPTICAL MAGNIFICATION	1x	1x	1.1x	1.1x	1x	1.1x	1.1x	1.1x	1.1x
DIGITAL ZOOM	No	No	2x	2x, 4x	No	2x	2x, 4x	2x, 4x	2x, 4x, 8x
REFRESH RATE	< 9 Hz	< 9 Hz	< 9 Hz	< 9 Hz	30 Hz	60 Hz	30 Hz	7.5 or 60 Hz	7.5 or 30 Hz
VIDEO CAPABLE	Video Capture	No	Composite Video Out	Composite Video Out	No	Composite Video Out	Composite Video Out	Video Output	Video Output
POWER	Internal Li-Ion Cell, > 5 hrs								
DIMENSIONS	152 x 51 x 51 mm (6 x 2 x 2 in)	170 x 58 x 62 mm (6.7 x 2.3 x 2.4 in)							
WEIGHT	170 g (6 oz)	340 g (12 oz)							

SPECS	PROMETHEUS C 336 2-8X25	PROMETHEUS C 640 1-8X25	PROMETHEUS 336 3-12X50	PROMETHEUS 640 2-16X50	BREACH PTQ136
DETECTOR	336 x 256 17µm microbolometer	640 x 512 17µm microbolometer	336 x 256 17µm microbolometer	640 x 512 17µm microbolometer	320 x 256 12µm microbolometer
LENS	25 mm; F/1.0 Manual focus	25 mm; F/1.0 Manual focus	50 mm; F/1.0 Manual focus	50 mm; F/1.0 Manual focus	9.1 mm; F/1.04
FIELD OF VIEW	13° x 10°	25° x 20°	7.8° x 5.9°	14.8° x 11.8°	24° x 19°
DETECTION RANGE*	730 m	730 m	1470 m	1470 m	205 m
OPTICAL MAGNIFICATION	2x	1x	3x	2x	1x
DIGITAL ZOOM	2x, 4x	2x, 4x, 8x	2x, 4x	2x, 4x, 8x	2x, 4x
REFRESH RATE	9 or 30 or 60 Hz	30 Hz	9 or 30 or 60 Hz	30 Hz	60 Hz
VIDEO CAPABLE	Video Out				Digital Video
POWER	2 CR123A 3V Lithium batteries, up to 4 hrs				1 CR123A 3V Lithium batteries, up to 90 minutes
DIMENSIONS*	142 x 89 x 51 mm (5.6 x 3.5 x 2.0 in)		188 x 74 x 65 mm (7.4 x 2.9 x 2.6 in)		96 x 48 x 68 mm (3.8 x 1.9 x 2.7 in)
OVERALL DIMENSIONS	192 x 89 x 57 mm (7.6 x 3.5 x 2.2 in)		238 x 74 x 65 mm (9.4 x 2.9 x 2.6 in)		139 x 54 x 72 mm (5.5 x 2.1 x 2.8 in)
WEIGHT	0.4 kg (0.88 lb)		0.55 kg (1.2 lbs)		0.21 kg (0.46 lbs)

SPECS	THERMOSIGHT PRO PTS233	THERMOSIGHT PRO PTS536	THERMOSIGHT PRO PTS736	ZEUS PRO 336 4-16X50	ZEUS PRO 336 8-32X100	ZEUS PRO 640 2-16X50	ZEUS PRO 640 4-32X100
DETECTOR	320 x 256 17µm microbolometer	320 x 256 17µm microbolometer	320 x 256 17µm microbolometer	336 x 256 17µm microbolometer	336 x 256 17µm microbolometer	640 x 512 17µm microbolometer	640 x 512 17µm microbolometer
LENS	19 mm; F/1.0	50 mm; F/1.0	75 mm; F/1.0	50 mm; F/1.4	100 mm; F/1.4	50 mm; F/1.4	100 mm; F/1.4
FIELD OF VIEW	12° x 9.5°	4.5° x 3.5°	3° x 2.5°	6.5° x 5°	3.3° x 2.5°	12.5° x 10°	6.2° x 5°
DETECTION RANGE	425 m	1130 m	1700 m	1470 m	2940 m	1470 m	2940 m
OPTICAL MAGNIFICATION	1.5x	4x	6x	4x	8x	2x	4x
DIGITAL ZOOM	2x, 4x	2x, 4x	2x, 4x	2x, 4x	2x, 4x	2x, 4x, 8x	2x, 4x, 8x
REFRESH RATE	60 Hz	60 Hz	60 Hz	30 or 60 Hz	30 or 60 Hz	30 or 60 Hz	30 or 60 Hz
VIDEO CAPABLE	Digital Video			Video Out			
POWER	2 CR123A 3V Lithium batteries, up to 4 hrs			4 CR123A 3V Lithium batteries or 4 AA 1.5V, up to 7 hrs			
DIMENSIONS*	180 x 71 x 84 mm (7.1 x 2.8 x 3.3 in)	190 x 71 x 84 mm (7.5 x 2.8 x 3.3 in)	214 x 89 x 93 mm (8.4 x 3.5 x 3.7 in)	197 x 76 x 76 mm (7.8 x 3.0 x 3.0 in)	265 x 90 x 100 mm (10.4 x 3.5 x 3.9 in)	197 x 76 x 76 mm (7.8 x 3.0 x 3.0 in)	265 x 90 x 100 mm (10.4 x 3.5 x 3.9 in)
OVERALL DIMENSIONS	259 x 71 x 84 mm (10.2 x 2.8 x 3.3 in)	259 x 71 x 84 mm (10.2 x 2.8 x 3.3 in)	283 x 89 x 93 mm (11.1 x 3.5 x 3.7 in)	266 x 76 x 76 mm (10.5 x 3.0 x 3.0 in)	334 x 90 x 100 mm (13.1 x 3.5 x 3.9 in)	266 x 76 x 76 mm (10.5 x 3.0 x 3.0 in)	334 x 90 x 100 mm (13.1 x 3.5 x 3.9 in)
WEIGHT	0.65 kg (1.44 lbs)	0.81 kg (1.78 lbs)	0.97 kg (2.14 lbs)	0.95 kg (2.0 lb)	1.3 kg (2.9 lb)	0.95 kg (2.0 lb)	1.3 kg (2.9 lb)

SPECS	SCION OTM130	SCION OTM136	SCION OTM230	SCION OTM236	SCION OTM260	SCION OTM266	SCION OTM366	SCION PTM166	SCION PTM336	SCION PTM336
DETECTOR	320 x 256 VOx 12um Microbolometer	320 x 256 VOx 12um Microbolometer	320 x 256 VOx 12um Microbolometer	320 x 256 VOx 12um Microbolometer	640 x 512 VOx 12um Microbolometer	640 x 512 VOx 12um Microbolometer	640 x 512 VOx 12um Microbolometer	640 x 512 VOx 12um Microbolometer	320 x 256 VOx 12um Microbolometer	640 x 512 VOx 12um Microbolometer
LENS	13.8 mm	13.8 mm	18 mm	18 mm	18 mm	18 mm	25 mm	13.8 mm	25 mm	25 mm
FIELD OF VIEW	16 x 12	16 x 12	12 x 9	12 x 9	24 x 18	24 x 18	18 x 13	31 x 24	9 x 6.5	18 x 13
DETECTION RANGE	280 m	310 m	410 m	410 m	370 m	370 m	510 m	510 m	560 m	560 m
OPTICAL MAGNIFICATION	1.5x	1.5x	1.9x	1.9x	1x	1x	1.3x	0.7x	2.6x	1.3x
DIGITAL ZOOM	1x, 2x, 4x	1x, 2x, 4x	1x, 2x, 4x	1x, 2x, 4x	1x, 2x, 4x, 8x	1x, 2x, 4x, 8x	1x, 2x, 4x, 8x	1x, 2x, 4x, 8x	1x, 2x, 4x	1x, 2x, 4x, 8x
REFRESH RATE	9 Hz	60 Hz	9 Hz	60 Hz	9 Hz	60 Hz	60 Hz	60 Hz	60 Hz	60 Hz
VIDEO CAPABLE	Yes	Yes	Yes	Yes	Yes	Yes	Yes	Yes	Yes	Yes
POWER	6 x CR123a 3V Lithium battery									
DIMENSIONS	239 x 76.8 x 60.5 mm (9 x 3 x 2.4 in)					227 x 76.8 x 60.5 mm (9.4 x 3 x 2.4 in)				
WEIGHT	w/o Batteries: 452 g; w/ Batteries 572 g									

THERMAL PRODUCT SPECIFICATIONS

SPECS	APOLLO 336	APOLLO 640	APOLLO PRO MR 336	APOLLO PRO MR 640	APOLLO PRO LR 640
DETECTOR	336 × 256	640 × 512	336 × 256	640 × 512	640 × 512
LENS	50 mm; F/1.0	50 mm; F/1.0	50 mm; F/1.4	50 mm; F/1.4	100 mm; F/1.4
FIELD OF VIEW	11° × 9°	15° × 12°	6.6° × 5°	12.5° × 10°	6.2° × 5°
DETECTION RANGE*	1470 m	1470 m	1470 m	1470 m	2940 m
OPTICAL MAGNIFICATION	1x	1x	1x	1x	1x
DIGITAL ZOOM	2x, 4x	2x, 4x, 8x	2x, 4x	2x, 4x, 8x	2x, 4x, 8x
REFRESH RATE	30 or 60 Hz	30 or 60 Hz	30 or 60 Hz	30 or 60 Hz	30 or 60 Hz
VIDEO CAPABLE	Video Out				
POWER	2 CR123A 3V Lithium batteries, up to 4 hrs		4 CR123A 3V Lithium batteries or 4 AA 1.5V, up to 7 hrs		
OVERALL DIMENSIONS	217 × 74 × 81 mm (8.5 × 2.9 × 3.2 in)	208 × 74 × 81 mm (8.2 × 2.9 × 3.2 in)	226 × 76 × 74 mm (8.9 × 3.0 × 2.9 in)	215 × 76 × 74 mm (8.5 × 3.0 × 2.9 in)	287 × 90 × 100 mm (11.3 × 3.5 × 3.9 in)
WEIGHT	0.81 kg (1.8 lbs)	0.7 kg (1.5 lbs)	1.05 kg (2.3 lb)	0.95 kg (2.0 lb)	1.28 kg (2.8 lb)

SPECS	COMMAND 336 3-12X50	COMMAND 640 2-16X50	COMMAND 336 5-20X75	COMMAND 640 3-24X75	COMMAND 336 8-32X100	COMMAND 640 4-32X100
DETECTOR	336 × 256	640 × 512	336 × 256	640 × 512	336 × 256	640 × 512
LENS	50 mm; F/1.0	50 mm; F/1.0	75 mm; F/1.1	75 mm; F/1.1	100 mm; F/1.3	100 mm; F/1.3
FIELD OF VIEW	7.8° × 5.9°	14.8° × 11.8°	4.3° × 3.2°	8.3° × 6.6°	3.3° × 2.5°	6.2° × 5.0°
DETECTION RANGE*	1470 m	1470 m	2200 m	2200 m	2940 m	2940 m
OPTICAL MAGNIFICATION	2.8x	1.5x	5x	3x	8x	4x
DIGITAL ZOOM	2x, 4x	2x, 4x, 8x	2x, 4x	2x, 4x, 8x	2x, 4x	2x, 4x, 8x
REFRESH RATE	9, 30, or 60 Hz	30 Hz	9, 30, or 60 Hz	30 Hz	9, 30, or 60 Hz	30 Hz
VIDEO CAPABLE	Video Out					
POWER	2 CR123A 3V Lithium batteries, up to 4 hrs					
DIMENSIONS†	237 × 106 × 65 mm (9.3 × 4.2 × 2.6 in)		272 × 106 × 89 mm (10.7 × 4.2 × 3.5 in)		290 × 116 × 116 mm (11.4 × 4.6 × 4.6 in)	
OVERALL DIMENSIONS	270 × 122 × 65 mm (10.6 × 4.8 × 2.6 in)		305 × 122 × 89 mm (12.0 × 4.8 × 3.5 in)		323 × 122 × 116 mm (12.7 × 4.8 × 4.6 in)	
WEIGHT	0.8 kg (1.8 lbs)		1.08 kg (2.4 lbs)		1.3 kg (2.9 lbs)	

SPECS	PREDATOR 336 2-8X25	PREDATOR 640 1-8X25	ZEUS 336 3-12X50	ZEUS 640 2-16X50	ZEUS 336 5-20X75	ZEUS 640 3-24X75
DETECTOR	336 × 256	640 × 512	336 × 256	640 × 512	336 × 256	640 × 512
LENS	25 mm; F/1.0	25 mm; F/1.0	50 mm; F/1.0	50 mm; F/1.0	75 mm; F/1.0	75 mm; F/1.0
FIELD OF VIEW	13° × 10°	25° × 8°	7.8° × 5.9°	14.8° × 11.8°	4.3° × 3.3°	8.3° × 6.6°
DETECTION RANGE*	730 m	730 m	1470 m	1470 m	2200 m	2200 m
OPTICAL MAGNIFICATION	2x	1x	3x	2x	5x	3x
DIGITAL ZOOM	2x, 4x	2x, 4x, 8x	2x, 4x	2x, 4x, 8x	2x, 4x	2x, 4x, 8x
REFRESH RATE	30 or 60 Hz	30 Hz	30 or 60 Hz	30 or 60 Hz	30 or 60 Hz	30 or 60 Hz
VIDEO CAPABLE	Video Out					
POWER	2 CR123A 3V Lithium batteries, up to 4 hrs					
DIMENSIONS†	193 × 74 × 83 mm (7.6 × 2.9 × 3.3 in)		187 × 74 × 83 mm (7.4 × 2.9 × 3.3 in)		222 × 89 × 96 mm (8.7 × 3.5 × 3.8 in)	
OVERALL DIMENSIONS	274 × 74 × 83 mm (10.8 × 2.9 × 3.3 in)		259 × 74 × 83 mm (9.9 × 2.9 × 3.3 in)		291 × 89 × 96 mm (11.5 × 3.5 × 3.8 in)	
WEIGHT	0.63 kg (1.4 lbs)		0.8 kg (1.5 lbs)		1.1 kg (2.4 lbs)	



NIGHT VISION

MONOCULARS, GOGGLES, AND BINOCULARS



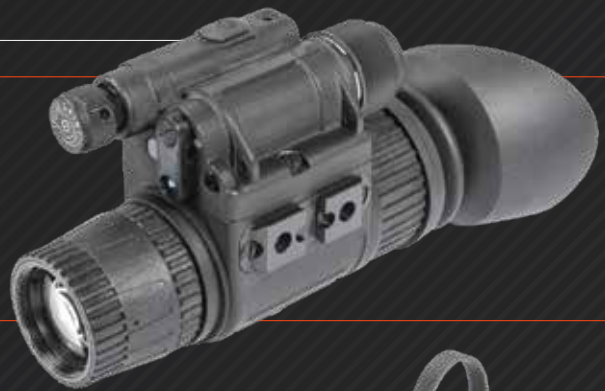
Night vision goggles and handheld optics generate images by intensifying small amounts of ambient light in dark environments. The addition of IR illuminators to night vision systems will flood an area with light invisible to the naked eye, strengthening low light performance and allowing operation in complete darkness. When shadows creep and streetlights won't cut it, night vision monoculars, goggles, and binoculars capture crisp, realistic details and depth perception. Compact night vision optics allow comfortable prolonged viewing, giving users the enhanced situational awareness needed to navigate cluttered environments and operate vehicles without compromising mobility.

NIGHT VISION MONOCULAR
FLIR MNVD™

FLIR MNVD-40™

The FLIR MNVD-40 offers reliable night vision in a rugged, compact housing. Head, helmet, and weapon mounting options add versatility to a 40-degree field of view while battery life up to 40 hours keeps the MNVD mission-ready. Onboard IR illuminator and flood lens enhance details and assist detection in complete darkness.

Generation	Gen 2+, Gen 3
Focal Length	27 mm
Field of View	40°
Optical Magnification	1x



FLIR MNVD-51™

With a wide 51-degree field of view, the FLIR MNVD-51 offers enhanced peripheral awareness without unnecessary neck strain. Head, helmet, and weapon mounting options allow hands-free operation while a built-in IR illuminator and flood lens improve vision in complete darkness. Up to 40 hours of battery life is achievable with a single AA or CR123A battery.

Generation	Gen 2+, Gen 3
Focal Length	19 mm
Field of View	51°
Optical Magnification	1x





NIGHT VISION MONOCULAR
FLIR PVS-14™

FLIR PVS-14™

Built on the framework of United States Military-commissioned AN/PVS-14 night vision units, the FLIR PVS-14 offers enhanced tactical awareness in a classic, battle-tested design. Flexible mounting options and adjustable gain control in a rugged, compact housing showcase why the PVS-14 remains a favorite among military and law enforcement professionals.

Generation	Gen 2+, Gen 3
Focal Length	27 mm
Field of View	40°
Optical Magnification	1x



FLIR PVS-14-51™

The FLIR PVS-14-51 single-tube night vision system brings a wide 51-degree field of view to the tough, military-trusted AN/PVS-14 housing. Head and helmet mounting promote hands-free operation while a maximized field of view enhances awareness and minimizes necessary movement. Built-in IR illuminator allows clear, covert vision in complete darkness.

Generation	Gen 2+, Gen 3
Focal Length	19 mm
Field of View	51°
Optical Magnification	1x





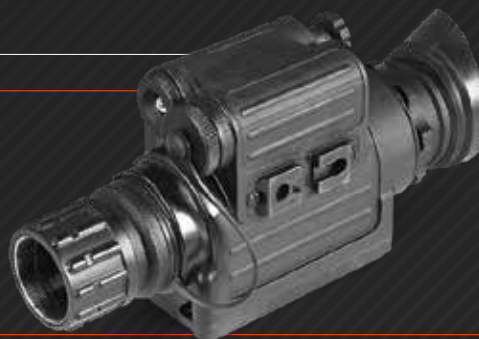
NIGHT VISION MONOCULAR
FLIR SPARK™

NIGHT VISION MONOCULAR
FLIR SIRIUS™

FLIR SPARK™

The FLIR Spark is a compact night vision monocular for enhancing awareness in minimal light conditions. A rugged composite housing and built-in IR illuminator allow Spark to capture sharp imagery in challenging weather conditions or complete darkness. Optional 3x and 5x optical zoom lenses and detachable high-power IR illuminator are available for long-range wildlife viewing.

Generation	CORE
Focal Length	35 mm
Field of View	35°
Optical Magnification	1x



FLIR SIRIUS™

The FLIR Sirius night vision monocular offers excellent Gen2+ performance and numerous high-tech features. With manual gain control, built-in IR illuminator, and bright-light shutoff, the Sirius serves the needs of both recreational hunters and law enforcement professionals. Flexible mounting options and external accessories increase device capability while a tough composite housing stands up to wear and tear.

Generation	Gen 2+
Focal Length	24 mm
Field of View	40°
Optical Magnification	1x





NIGHT VISION BINOCULAR
FLIR BNVD™

FLIR BNVD-40™

Designed for head or helmet mounting, the FLIR BNVD-40 dual-channel night vision system offers exceptional clarity in minimal lighting. Multi-coated lenses and ruggedized housing offer protection against the elements while a built-in IR illuminator provides better detail in complete darkness. One AA or CR123A battery can power the BNVD-40 up to 20 hours.

Generation	Gen 2+, Gen 3
Focal Length	27 mm
Field of View	40°
Optical Magnification	1x



FLIR BNVD-51™

The wide-angle FLIR BNVD-51 dual-channel night vision system creates an undisputed tactical advantage. Head and helmet mounting options provide hands-free full-field night vision while multi-coated lenses and composite housing stand up to wear and tear. One AA or CR123A battery can power the BNVD-40 up to 20 hours.

Generation	Gen 2+, Gen 3
Focal Length	19 mm
Field of View	51°
Optical Magnification	1x



NIGHT VISION GOGGLES
FLIR NYX-7™

NIGHT VISION GOGGLES
FLIR PVS-7™

FLIR NYX-7™

The FLIR Nyx-7 bi-ocular goggle system offers clear and bright night vision in minimal light conditions. High-grade optics, intuitive electronics, and Gen 2+ image intensifier tubes offer reliable vision while head or helmet mounting options allow exceptional hands-free use. Available 3x or 5x magnification lenses and attachable high-powered IR illuminator add mid- to long-range viewing capability.

Generation	Gen 2+
Focal Length	24 mm
Field of View	40°
Optical Magnification	1x



FLIR NYX-7 PRO™

The FLIR Nyx-7 Pro is an extremely rugged, compact bi-ocular night vision goggle system. High-grade optics and automatic brightness control provide clear nighttime images under the most trying conditions. Included flip-up head mount or optional universal helmet mount allow simple hands-free use while available 3x and 5x magnified lenses convert the Nyx-7 Pro to a long-range optic.

Generation	Gen 2+, Gen 3
Focal Length	27 mm
Field of View	40°
Optical Magnification	1x



FLIR PVS-7™

Built on the framework of United States Military-commissioned AN/PVS-7 night vision goggles, the FLIR PVS-7 offers enhanced awareness in a classic, battle-tested design. Automatic brightness control, built-in IR illuminator, and an excessive-light cutoff help maintain a tactical advantage in any lighting condition. Flexible mounting options and a rugged composite housing make the PVS-7 a night vision favorite among military and law enforcement professionals.

Generation	Gen 2+, Gen 3
Focal Length	27 mm
Field of View	40°
Optical Magnification	1x



LONG-RANGE INFRARED ILLUMINATOR
FLIR IR850-XLR™

NIGHT VISION BI-OCULAR
FLIR DISCOVERY™

FLIR DISCOVERY 5x™

A highly ergonomic body and 5x magnifying lens make the FLIR Discovery 5x night vision bi-ocular ideal for long-term, long-range surveillance. Detachable extra long-range IR illuminator and automatic brightness control capture sharp night vision in minimal light conditions. Multigenerational intensifier tube options and available “Quick Silver” black and white night vision displays offer specialization for specific applications—from perimeter security to wildlife observation.

Generation	Gen 2+, Gen 3
Focal Length	108 mm
Field of View	9.5°
Optical Magnification	5x

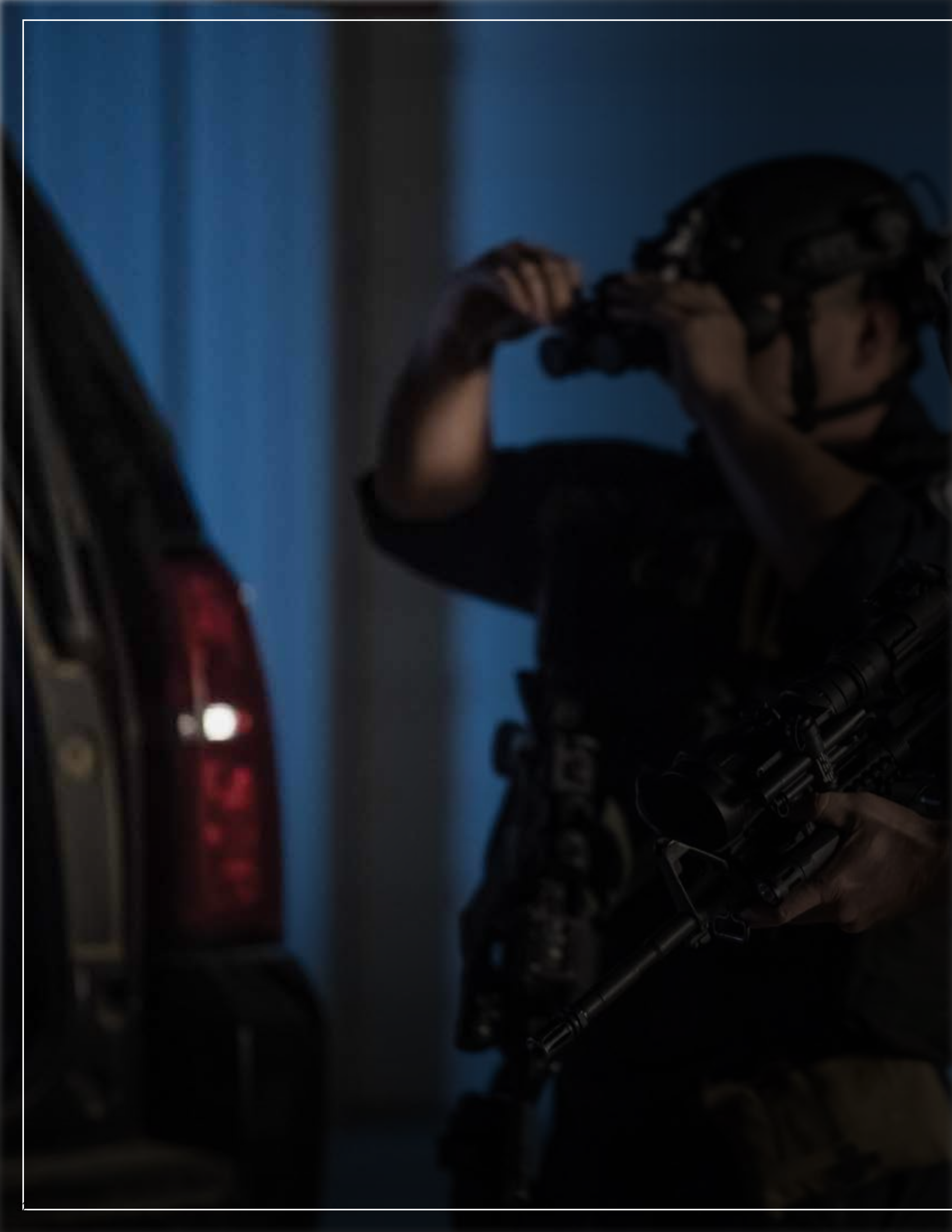


FLIR IR850-XLR™

Night vision devices rely on small amounts of ambient light to capture clear imagery. FLIR's Extra Long Range Infrared Illuminator uses near IR light invisible to the naked eye to covertly illuminate subjects in complete darkness, allowing night vision optics to produce a better image. The powerful IR850-XLR model offers beam angle adjustment and variable power control. Included rechargeable battery can operate up to 10 hours while an optional afocal doubler increases long-range performance.

Divergence Angle	4°-35°
Illumination Range	1000 m
Compatible Devices	Gen 1 CORE Gen 2 Gen 3







NIGHT VISION DEDICATED & CLIP-ON RIFLESCOPES

Night vision riflescopes generate images by intensifying small amounts of ambient light in dark environments. The addition of IR illuminators to night vision systems will flood an area with light invisible to the naked eye, strengthening low light performance and allowing operation in complete darkness. Before the sun rises and the dew clears, the lifelike viewing capability of night vision riflescopes offers unparalleled shot placement in low light conditions. Dedicated night vision weapon sights and integrated clip-on systems produce the highly detailed imagery needed to follow contours on short- and long-range targets.



NIGHT VISION RIFLESCOPE
FLIR VAMPIRE™

NIGHT VISION RIFLESCOPE
FLIR VULCAN™

NIGHT VISION RIFLESCOPE
FLIR NEMESIS™

FLIR VAMPIRE™ 3x

The FLIR Vampire 3x is a CORE intensifier tube-based night vision riflescope designed for precise shot placement in minimal light conditions. A solid aluminum housing protects key electrical components from severe weather and shot recoil while an included extra long-range IR illuminator improves downrange image quality. An onboard tactical rail makes mounting additional lasers or illuminators simple.

Generation	CORE
Focal Length	108 mm
Field of View	10.5°
Optical Magnification	3x



FLIR VULCAN™ 4.5x

Available in a wide array of high-performance image intensifiers, the FLIR Vulcan 4.5x riflescope offers impeccable vision downrange in minimal light conditions. Manual focus, gain, windage, and elevation adjustments give the marksman complete control for precise, repeatable shot placement. Included detachable XLR IR illuminator mounts on a built-in tactical rail and enhances image clarity in challenging conditions.

Generation	Gen 2+
Focal Length	160 mm
Field of View	6.5°
Optical Magnification	6x



FLIR NEMESIS™ 6x

The FLIR Nemesis 6x is designed to place shots on long-range targets in minimal light conditions. Built with high-performance Gen 2+ or Gen 2 "Quick silver" black and white image intensifier tubes, the Nemesis 6x captures excellent night vision and mounts on standard Picatinny/Weaver rail systems. Adjustable illuminated reticle and included detachable long-range IR illuminator enhance image clarity and shot precision.

Generation	Gen 2+, Gen 3, FLAG
Focal Length	108 mm
Field of View	9°
Optical Magnification	4.5x





NIGHT VISION CLIP-ON
FLIR CO-MINI™

NIGHT VISION CLIP-ON
FLIR CO-X™

FLIR CO-MINI™

Designed for short- to medium-range observation and rapid target acquisition, the FLIR CO-Mini clip-on system converts a standard day optic into a tactical night vision device. The CO-Mini installs in front of magnified day scopes in seconds via objective lens adaptor or quick-release Picatinny mount. Use of the existing day scope reticle allows consistent shot placement without the need to rezero.

Generation	Gen 2+, Gen 3, FLAG
Focal Length	38 mm
Field of View	22°
Optical Magnification	1x



FLIR CO-X™

The FLIR CO-X clip-on system introduces night vision capability to traditional daytime optics. Intended for mid-range shooting, the CO-X mounts in front of a day scope and provides reliable night vision in minimal light conditions. Using the existing daytime reticle for shot placement eliminates the need to rezero, while quick-release Picatinny mount installs in seconds.

Generation	Gen 2+, Gen 3
Focal Length	80 mm
Field of View	12°
Optical Magnification	1x





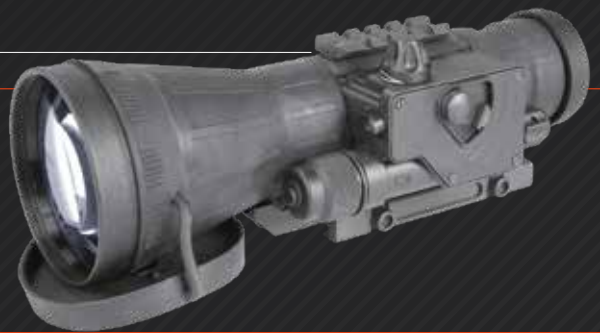
NIGHT VISION CLIP-ON
FLIR CO-LR-LRF™

NIGHT VISION CLIP-ON
FLIR CO-XLR-LRF™

CO-LR-LRF™

Designed for long-range target detection and engagement, the FLIR CO-LR-LRF adds high-performance night vision to any standard day scope. Using an existing ballistic reticle for shot placement, the CO-LR-LRF provides immediate precision by quickly mounting in front of day optics—no rezeroing needed. Variable gain control and included XLR IR illuminator further enhance imaging in challenging light conditions.

Generation	Gen 2+ Gen 3
Focal Length	108 mm
Field of View	9°
Optical Magnification	1x



CO-XLR-LRF™

The FLIR CO-XLR-LRF is the most advanced night vision clip-on in its family. High-performance image intensifier tubes and extra long-range 145 mm optical lens generate superior imagery for engaging targets at extended distances. Installed in front of a standard day optic, the CO-XLR-LRF offers immediate high-quality night vision and precise shot placement—no rezeroing needed. Included XLR IR illuminator maintains excellent image quality in adverse lighting conditions.

Generation	Gen 2+ Gen 3
Focal Length	145 mm
Field of View	7°
Optical Magnification	1x



NIGHT VISION PRODUCT SPECIFICATIONS

SPECS	SPARK	SIRIUS	MNVD-40	MNVD-51	PVS-14	PVS-14-51
GENERATION	CORE	Gen 2+	Gen 2+; Gen 3;	Gen 2+; Gen 3;	Gen 2+; Gen 3; FLAG	Gen 2+; Gen 3; FLAG
MAGNIFICATION	1x	1x	1x	1x	1x	1x
LENS SYSTEM	35 mm; F/1.7	24 mm; F/1.2	27 mm; F/1.3	19 mm; F/1.26	26 mm; F/1.2	19 mm; F/1.26
FIELD OF VIEW	35°	40°	40°	51°	40°	51°
POWER	CR123 Lithium 3V (1), Up to 40 hours	CR123 Lithium 3V (1) or AA Alkaline 1.5V (1), Up to 60 hours	CR123 Lithium 3V (1) or AA Alkaline 1.5V (1), Up to 40 hours	CR123 Lithium 3V (1) or AA Alkaline 1.5V (1), Up to 40 hours	AA Alkaline 1.5V (1), Up to 50 hours	CR123 Lithium 3V (1) or AA Alkaline 1.5V (1), Up to 60 hours
DIMENSIONS*	145 × 49 × 82 mm (5.7 × 1.9 × 3.2 in)	147 × 56 × 79 mm (5.8 × 2.2 × 3.1 in)	122 × 49 × 73 mm (4.8 × 1.9 × 2.9 in)	110 × 49 × 73 mm (4.3 × 1.9 × 2.9 in)	114 × 51 × 57 mm (4.5 × 2.0 × 2.2 in)	114 × 51 × 57 mm (4.5 × 2.0 × 2.2 in)
OVERALL DIMENSIONS	181 × 49 × 82 mm (7.1 × 1.9 × 3.2 in)	182 × 56 × 79 mm (7.2 × 2.2 × 3.1 in)	175 × 57 × 80 mm (6.9 × 2.2 × 3.1 in)	160 × 54 × 79 mm (6.3 × 2.1 × 3.1 in)	158 × 51 × 60 mm (6.2 × 2.0 × 2.4 in)	158 × 51 × 60 mm (6.2 × 2.0 × 2.4 in)
WEIGHT	0.37 kg (0.8 lb)	0.46 kg (1.0 lb)	0.34 kg (0.75 lbs)	0.31 kg (0.7 lbs)	0.35 kg (0.77 lb)	0.32 kg (0.7 lb)

SPECS	NYX-7	NYX-7 PRO	PVS-7	BNVD-40	BNVD-51
GENERATION	Gen 2+	Gen 2+; Gen 3	Gen 2+; Gen 3	Gen 2+; Gen 3	Gen 2+; Gen 3
MAGNIFICATION	1x	1x	1x	1x	1x
LENS SYSTEM	24 mm; F/1.2	27 mm; F/1.2	27 mm; F/1.2	27 mm; F/1.3	19 mm; F/1.26
FIELD OF VIEW	40°	40°	40°	40°	51°
POWER	CR123 Lithium 3V (1) or AA Alkaline 1.5V (1), Up to 60 hours	CR123 Lithium 3V (1) or AA Alkaline 1.5V (1), Up to 60 hours	AA Alkaline 1.5V (2), Up to 40 hours	CR123 Lithium 3V (1) or AA Alkaline 1.5V (1), Up to 20 hours	CR123 Lithium 3V (1) or AA Alkaline 1.5V (1), Up to 20 hours
DIMENSIONS*	145 × 102 × 70 mm (5.7 × 4.0 × 2.8 in)	160 × 127 × 61 mm (6.3 × 5.0 × 2.4 in)	147 × 152 × 90 mm (5.8 × 6.0 × 3.5 in)	115 × 118 × 74 mm (4.5 × 4.6 × 2.9 in)	112 × 118 × 74 mm (4.4 × 4.6 × 2.9 in)
OVERALL DIMENSIONS	188 × 122 × 70 mm (7.4 × 4.8 × 2.8 in)	204 × 127 × 61 mm (8.0 × 5.0 × 2.4 in)	200 × 152 × 90 mm (7.9 × 6.0 × 3.5 in)	167 × 128 × 80 mm (6.6 × 5.0 × 3.1 in)	157 × 124 × 78 mm (6.2 × 4.9 × 3.1 in)
WEIGHT	0.45 kg (0.9 lb)	0.49 kg (1.0 lb)	0.68 kg (1.5 lb)	0.65 g (1.42 lbs)	0.62 g (1.35 lbs)

SPECS	DISCOVERY 5X
GENERATION	Gen 2+; Gen 3
MAGNIFICATION	5x
LENS SYSTEM	108 mm; F/1.5
FIELD OF VIEW	9.5°
POWER	CR123 Lithium 3V (1), Up to 50 hours
DIMENSIONS*	255 × 138 × 81 mm (10.0 × 5.4 × 3.2 in)
OVERALL DIMENSIONS	294 × 138 × 86 mm (11.6 × 5.4 × 3.4 in)
WEIGHT	1.3 kg (2.8 lb)

SPECS	VAMPIRE	NEMESIS 6X	VULCAN 4.5X
GENERATION	CORE	Gen 2+	Gen 2+; Gen 3; FLAG
MAGNIFICATION	3x	6x	4.5x
LENS SYSTEM	108 mm; F/1.5	160 mm; F/2.0	108 mm; F/1.54
FIELD OF VIEW	10.5°	6.5°	9°
POWER	CR123 Lithium 3V (1), Up to 40 hours	CR123 Lithium 3V (1), Up to 60 hours	CR123 Lithium 3V (1) or AA Alkaline 1.5V (1), Up to 60 hours
DIMENSIONS*	250 × 87 × 95 mm (9.8 × 3.4 × 3.7 in)	318 × 91 × 97 mm (12.5 × 3.6 × 3.8 in)	201 × 97 × 91 mm (7.9 × 3.8 × 3.6 in)
OVERALL DIMENSIONS	318 × 87 × 95 mm (12.5 × 3.4 × 3.7 in)	385 × 91 × 99 mm (15.2 × 3.6 × 3.9 in)	277 × 99 × 93 mm (10.9 × 3.9 × 3.7 in)
WEIGHT	1.36 kg (3 lb)	1.9 kg (4.2 lb)	1.08 kg (2.4 lb)

SPECS	CO-MINI	CO-X	CO-LR-LRF	CO-XLR LRF
GENERATION	Gen 2+; Gen 3; FLAG	Gen 2+; Gen 3	Gen 2+; Gen 3; FLAG	Gen 2+; Gen 3; FLAG
MAGNIFICATION	1x	1x	1x	1x
LENS SYSTEM	38 mm; F/1.25	80 mm; F/1.44	108 mm; F/1.54	145 mm; F/1.8
FIELD OF VIEW	22°	12°	9°	7°
EXIT PUPIL	27.5 mm	21 mm	40 mm	40 mm
POWER	CR123 Lithium 3V (1) or AA Alkaline 1.5V (1), Up to 60 hours	CR123 Lithium 3V (1) or AA Alkaline 1.5V (1), Up to 60 hours	CR123 Lithium 3V (1) or AA Alkaline 1.5V (1), Up to 45 hours	CR123 Lithium 3V (1) or AA Alkaline 1.5V (1), Up to 45 hours
DIMENSIONS*	125 × 68 × 58 mm (4.9 × 2.7 × 2.3 in) [†]	143 × 100 × 83 mm (5.6 × 3.9 × 3.3 in)	230 × 97 × 87 mm (9.1 × 3.8 × 3.4 in)	295 × 104 × 94 mm (11.6 × 4.1 × 3.7 in)
OVERALL DIMENSIONS	134 × 82 × 77 mm (5.3 × 3.2 × 3.0 in)	150 × 100 × 83 mm (5.9 × 3.9 × 3.3 in)	240 × 97 × 87 mm (9.4 × 3.8 × 3.4 in)	305 × 104 × 94 mm (12.0 × 4.1 × 3.7 in)
WEIGHT	0.43 kg (0.95 lb)	0.76 kg (1.7 lb)	0.91 kg (2.0 lb)	1.3 kg (2.86 lb)



DIRECT VIEW

Quickly confronting a threat hinges on rapid target acquisition. Direct view and laser systems offer versatility and precision during high-stakes moments, allowing reliable shot placement with or without night vision optics.



MINIATURE COLLIMATING SIGHT
FLIR MCS™

MULTISPECTRAL AIMING/ILLUMINATION
FLIR T-MAIM™

FLIR MCS™

Mountable to both standard magnified day optics and Picatinny rail systems, the FLIR MCS is a rapid target acquisition LED weapon sight designed to improve the accuracy and efficiency of handguns and rifles. Onboard 3.5 MOA "Dot" and 20 MOA "Ring" reticles offer automatic and manual brightness adjustments and are compatible with night vision devices of any generation.



FLIR T-MAIM™

The FLIR T-MAIM is a multi-laser aiming system equipped with collimated visible and near-IR lasers. Built-in IR illuminator and near-IR aiming laser provide covert tactical precision when paired with night vision devices while manually-controlled pulse mode prevents confusion among multiple users. 256 discrete power intervals allow user-customization and included safety-mode tactical remote ensures appropriate laser intensity during training exercises.



WARRANTY

FLIR aims to develop the most complete lineup of outdoor and tactical vision products in the world and is committed to assisting when product service becomes necessary.

All qualifying products properly registered with FLIR within 60 days of the purchase date are eligible for extended warranty coverage under FLIR's Outdoor & Tactical Systems 2-3-10 Global Limited Warranty.

PRODUCTS	STANDARD LIMITED WARRANTY PERIOD	EXTENDED LIMITED WARRANTY PERIOD
QUALIFYING PRODUCTS	2 year on components (excluding user-replaceable batteries) and the uncooled Sensor	3 years on components (excluding user-replaceable batteries) 10 years on the uncooled Sensor
ALL OTHER NEW PRODUCTS	2 year on components (excluding user-replaceable batteries) and the uncooled Sensor	none

For more information, please visit www.flir.com/support

CORPORATE HEADQUARTERS

FLIR Systems, Inc.
27700 SW Parkway Ave.
Wilsonville, OR 97070 USA
PH: 1.877.773.3547

OUTDOOR & TACTICAL SYSTEMS

9 Townsend West
Nashua, NH 03063, USA
Telephone:
1.888.959.2259
603.324.7600
F: 1.888.959.2260

Order Placement, Return to Stock, and Inquiries

Email: OTS-orders@flir.com
Telephone:
603.324.7600
1.888.959.2259

Credit Inquiries

Email: OTS-pay@flir.com
Telephone:
603.324.7600
1.888.959.2259

Technical Support

US_CBUsupport@flir.com
Telephone:
603.324.7600
1.888.959.2259

Warranty and Repairs

Email: US_CBUrepair@flir.com
FLIR Product Repair Center
9 Townsend West
Nashua, NH 03063-1233
USA
Telephone:
603.324.7600
1.888.959.2259

www.flir.com



Equipment described herein may require US Government authorization for export purposes. Diversion contrary to US law is prohibited.

©2019 FLIR Systems, Inc.
Specifications are subject to change.
Created 12/20/18