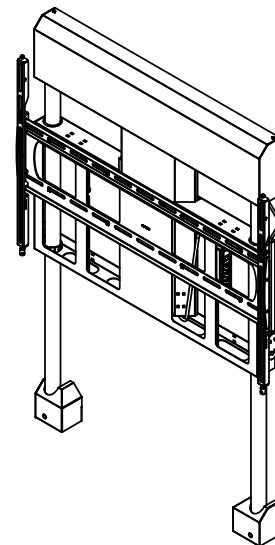
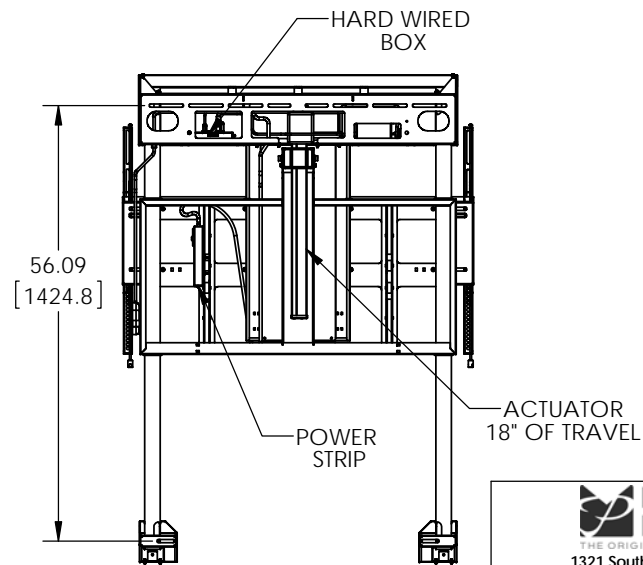
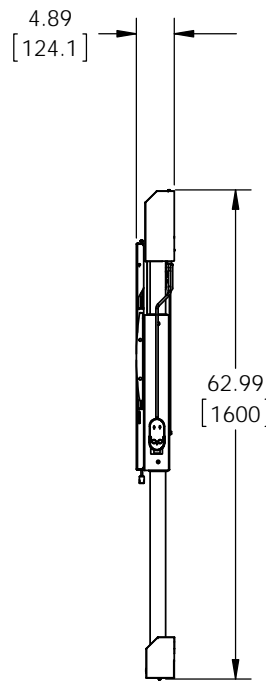
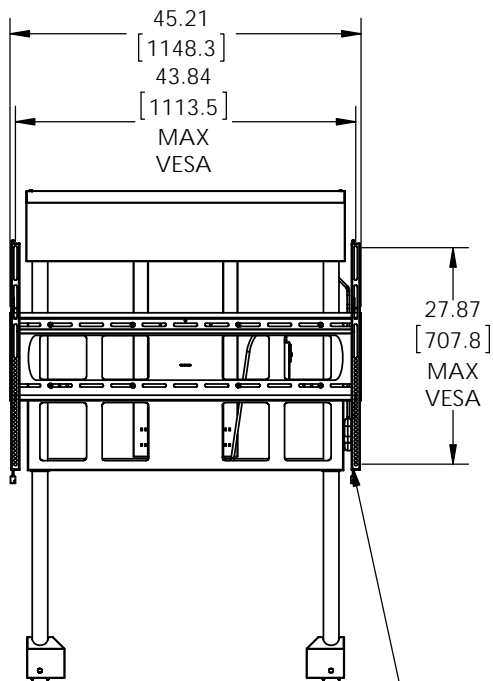
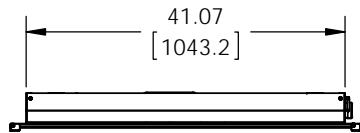


THE INFORMATION CONTAINED IN THIS DRAWING IS THE SOLE PROPERTY OF PREMIER MOUNTS DIVISION OF <PMPI>. ANY REPRODUCTION IN PART OR WHOLE WITHOUT THE WRITTEN PERMISSION OF PREMIER MOUNTS DIVISION OF <PMPI> IS PROHIBITED.



LATRAL ADJUSTMENT VIA MOUNTING BRACKETS

WEIGHT CAPACITY: 250 LBS  
DIMENSION ARE IN INCH AND [MM]

**PREMIER MOUNTS**  
THE ORIGINAL MOUNT COMPANY  
1321 South State College Blvd  
Fullerton Ca, 92831  
P. 800.368.9700 - F. 800.832.4888

ITEM DESCRIPTION:  
**FLAT PANEL LIFTING SYSTEM**

SIZE	DWG. NO.
B	FPS-200

SCALE: 1:16