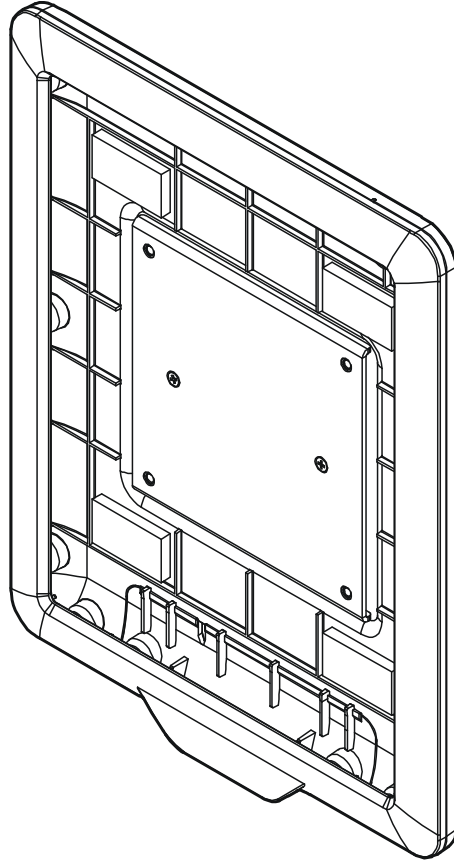

INSTALLATION INSTRUCTIONS



Security iPad® 2 and 3 100x100 Mount

Touchboards

205 Westwood Ave, Long Branch, NJ 07740
Phone: 866-94 BOARDS (26273) / (732)-222-1511
Fax: (732)-222-7088 | E-mail: sales@touchboards.com

DISCLAIMER

Milestone AV Technologies and its affiliated corporations and subsidiaries (collectively "Milestone"), intend to make this manual accurate and complete. However, Milestone makes no claim that the information contained herein covers all details, conditions or variations, nor does it provide for every possible contingency in connection with the installation or use of this product. The information contained in this document is subject to change without notice or obligation of any kind. Milestone makes no representation of warranty, expressed or implied, regarding the information contained herein. Milestone assumes no responsibility for accuracy, completeness or sufficiency of the information contained in this document.

Chief® and Centris® are registered trademarks of Milestone AV Technologies. All rights reserved.

iPad® is a registered trademark of Apple Inc.

! IMPORTANT SAFETY INSTRUCTIONS

! WARNING: A WARNING alerts you to the possibility of serious injury or death if you do not follow the instructions.

! CAUTION: A CAUTION alerts you to the possibility of damage or destruction of equipment if you do not follow the corresponding instructions.

! WARNING: Failure to read, thoroughly understand, and follow all instructions can result in serious personal injury, damage to equipment, or voiding of factory warranty! It is the installer's responsibility to make sure all components are properly assembled and installed using the instructions provided.

! WARNING: Use this mounting system only for its intended use as described in these instructions. Do not use attachments not recommended by the manufacturer.

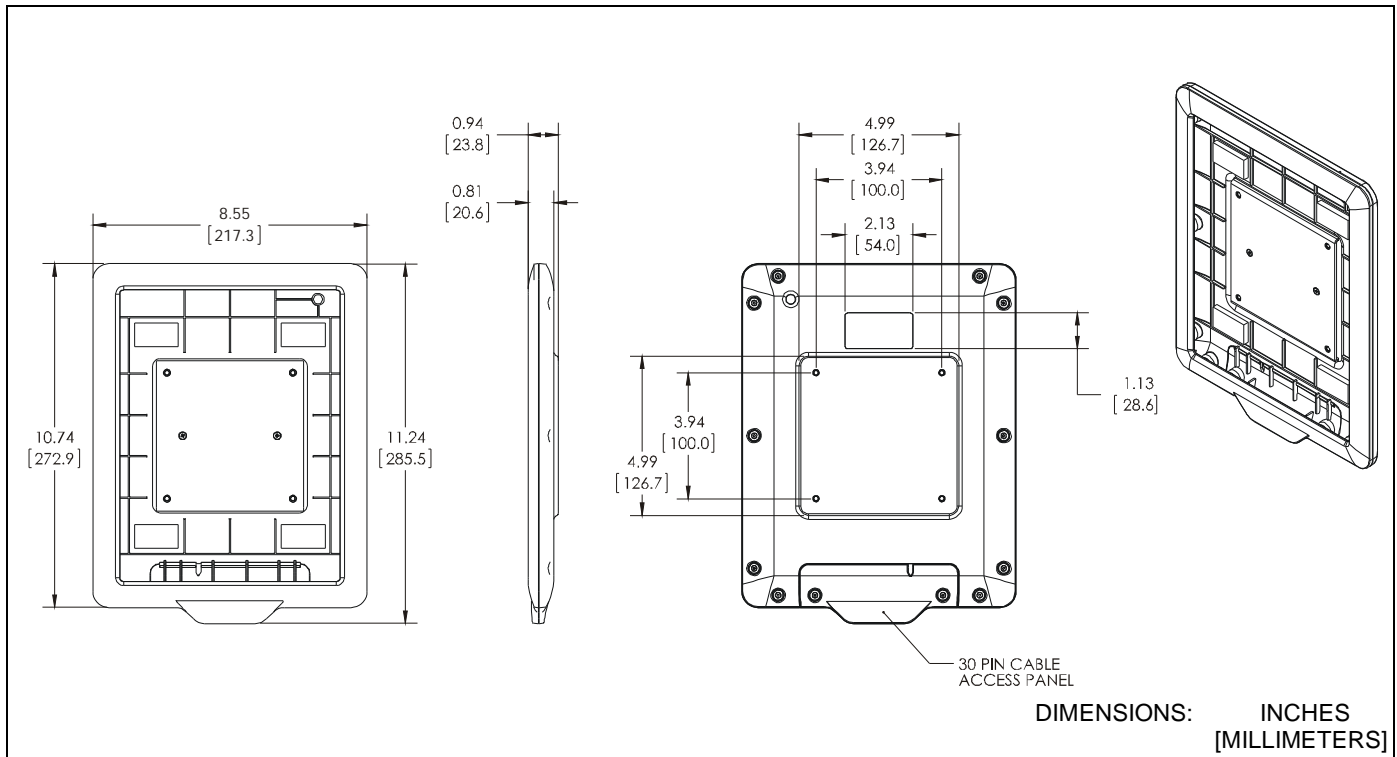
! WARNING: Never operate this mounting system if it is damaged. Return the mounting system to a service center for examination and repair.

! WARNING: Do not use this product outdoors.



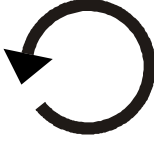

IMPORTANT ! : The FSBI2TB is designed for use with the iPad 2 and iPad 3 mobile digital device models.

--SAVE THESE INSTRUCTIONS--

DIMENSIONS



LEGEND

	Tighten Fastener		Security Wrench
	Apretar elemento de fijación		Llave de seguridad
	Befestigungsteil festziehen		Sicherheitsschlüssel
	Apertar fixador		Chave de segurança
	Serrare il fissaggio		Chiave di sicurezza
Bevestiging vastdraaien	Veiligheidsleutel		
Serrez les fixations	Clé de sécurité		
	Loosen Fastener		By Hand
	Aflojar elemento de fijación		A mano
	Befestigungsteil lösen		Von Hand
	Desapertar fixador		Com a mão
	Allentare il fissaggio		A mano
Bevestiging losdraaien	Met de hand		
Desserrez les fixations	À la main		


TOOLS REQUIRED FOR INSTALLATION




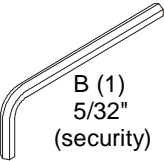







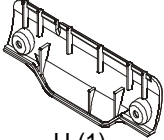
5/32"
(security)
included

PARTS

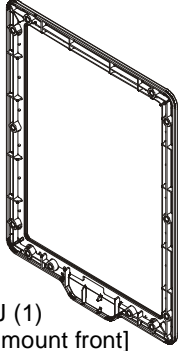


Security iPad Mount Hardware Kit

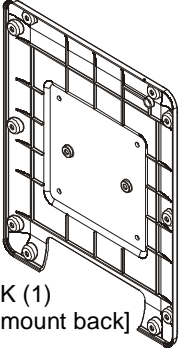
 A (12) 08-32 x 1/4"	 B (1) 5/32" (security)	 C (4) M4 x 12mm
 D (4) M4 x 10mm	 E (1) 10-24 x 1/4"	 F(1) [Lockout bracket]
		 G (1) M4 x 16mm



H (1)
[Security cable cover]



J (1)
[Security mount front]



K (1)
[Security mount back]

ASSEMBLY AND INSTALLATION

NOTE: The FSBI2TB is compatible with the iPad® 2 and iPad® 3 mobile digital device models alone, not mounted in a case.

NOTE: The FSBI2TB mounts directly to a Chief 100x100mm faceplate (not included).

Assembly

1. Lay security mount front (J) facedown.
2. Place iPad®2 or 3 (not included) facedown onto the mount front (J). (See Figure 1)

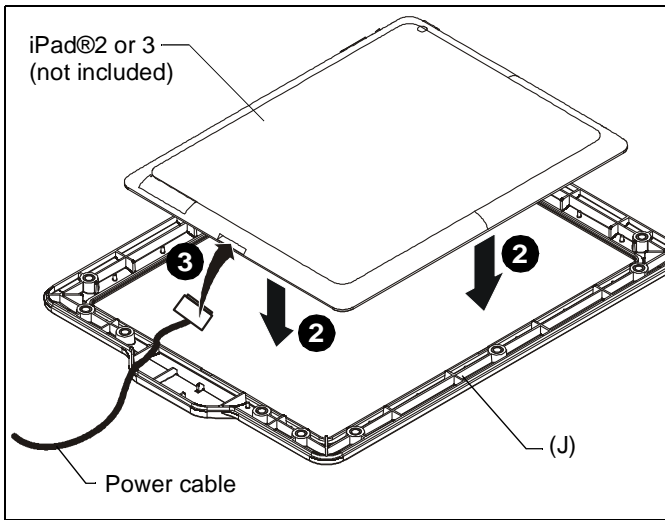


Figure 1

3. Attach power cable (not included) to iPad digital device. (See Figure 1)
4. Carefully place security mount back (K) over the iPad digital device. (See Figure 2)
5. Fasten together using ten 08-32 x 1/4" button head security screws (A). (See Figure 2)

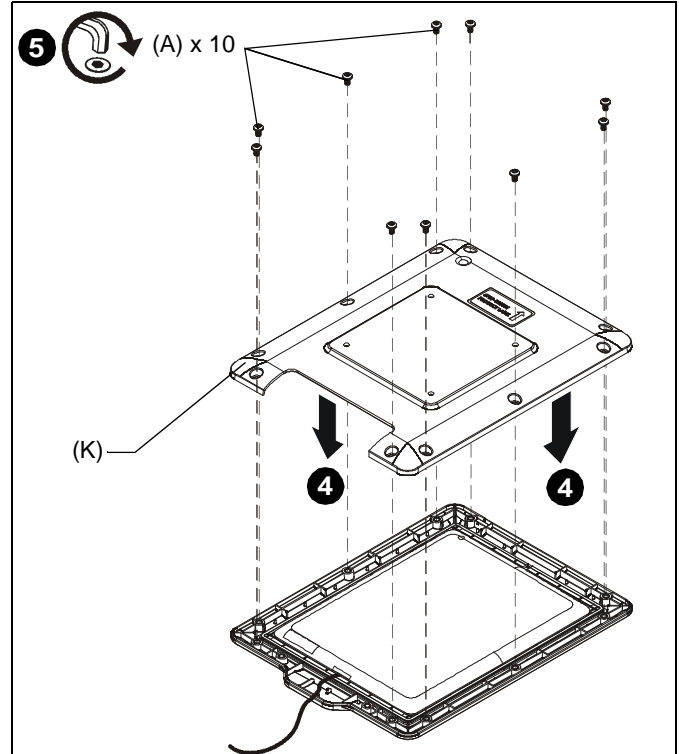


Figure 2

6. Place power cable through notch on security cable cover (H) and slide cover (H) into place on FSBI2TB. (See Figure 3)
7. Fasten cover (H) into place using two 08-32 x 1/4" button head security screws (A). (See Figure 3)

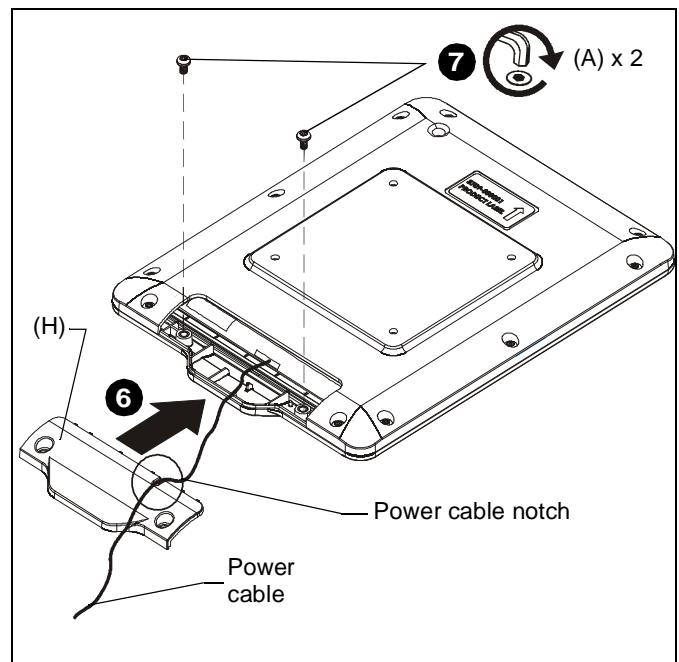


Figure 3

Installation

NOTE: An **optional** lockout bracket (F) may be added when attaching the FSBI2TB to either the Centris head or Kontour head mount. (See Figure 4) or (See Figure 5).

Attaching to Centris Head Mount

1. Attach FSBI2TB to Centris head mount using four M4x10mm button head security screws (D). (See Figure 4) Proceed to **Step 5**.

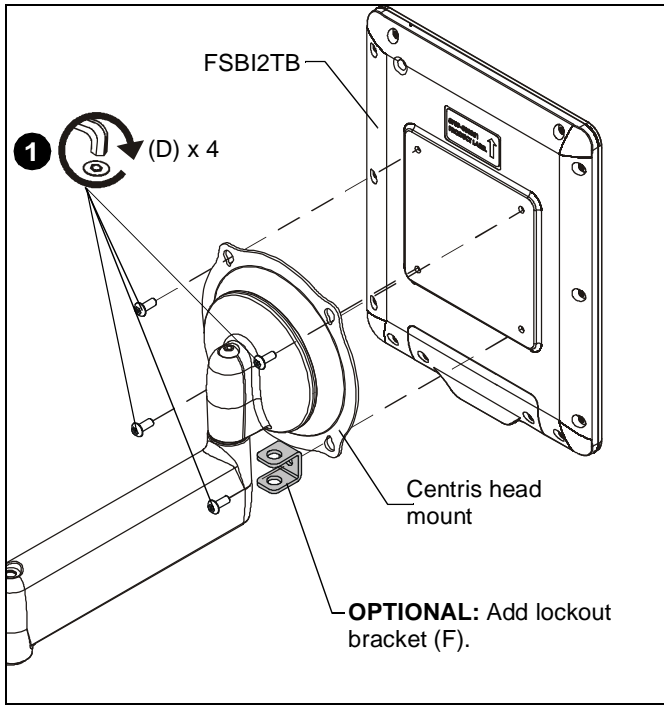


Figure 4

Attaching to Kontour Head Mount

2. Attach FSBI2TB to Kontour head mount using four M4x12mm button head security screws (C). (See Figure 5)
3. Reattach Kontour head to mount following instructions included with mount.
4. Fasten one 10-24 x 1/4" button head security screw (E) into back of Kontour head mount (See Figure 5)

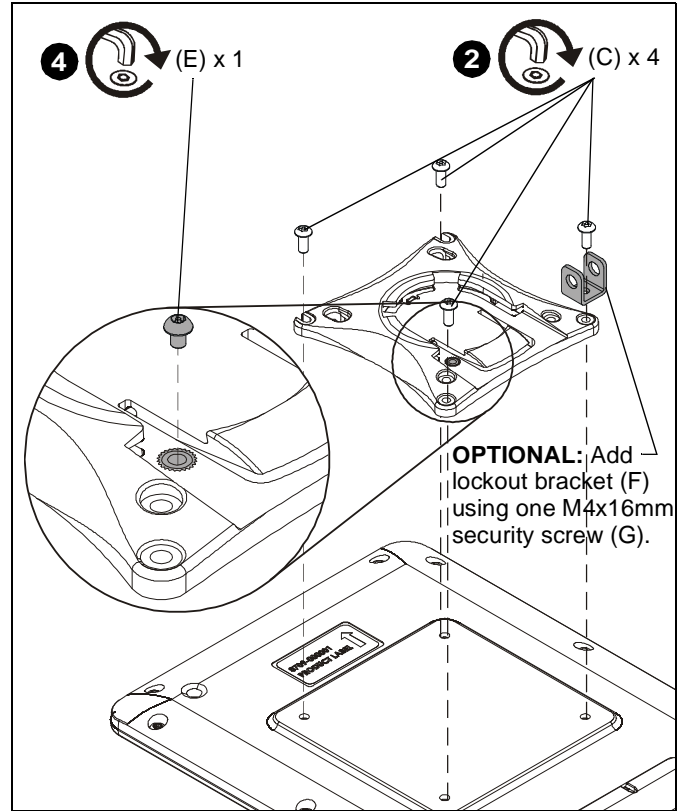


Figure 5

5. **OPTIONAL:** Add padlock (not included) to optional lockout bracket. (See Figure 6)

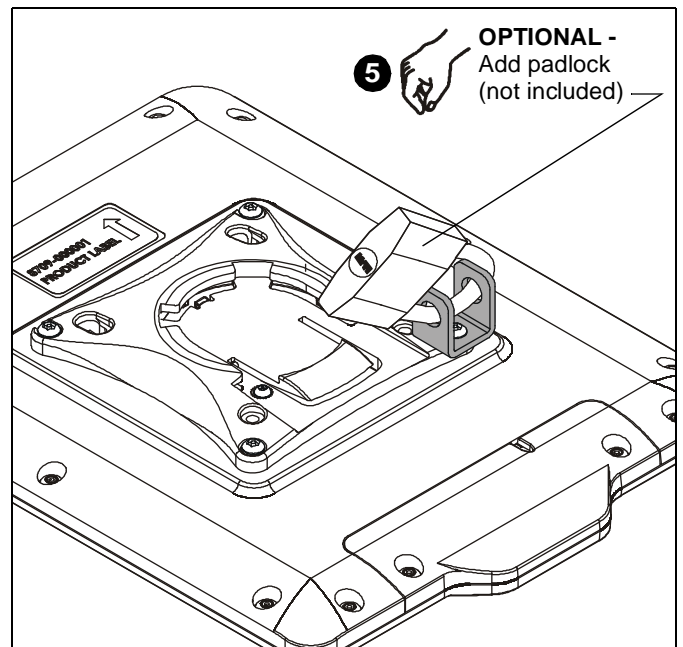


Figure 6



Our Mounts. **Your Vision.**

Chief Manufacturing, a products division
of Milestone AV Technologies

8800-002178 Rev03
©2012 Milestone AV Technologies, a
Duchossois Group Company
www.chiefmfg.com
10/12

USA/International	A 6436 City West Parkway, Eden Prairie, MN 55344 P 800.582.6480 / 952.225.6000 F 877.894.6918 / 952.894.6918
Europe	A Franklinstraat 14, 6003 DK Weert, Netherlands P +31 (0) 495 580 852 F +31 (0) 495 580 845
Asia Pacific	A Office No. 1 on 12/F, Shatin Galleria 18-24 Shan Mei Street Fotan, Shatin, Hong Kong P 852 2145 4099 F 852 2145 4477

