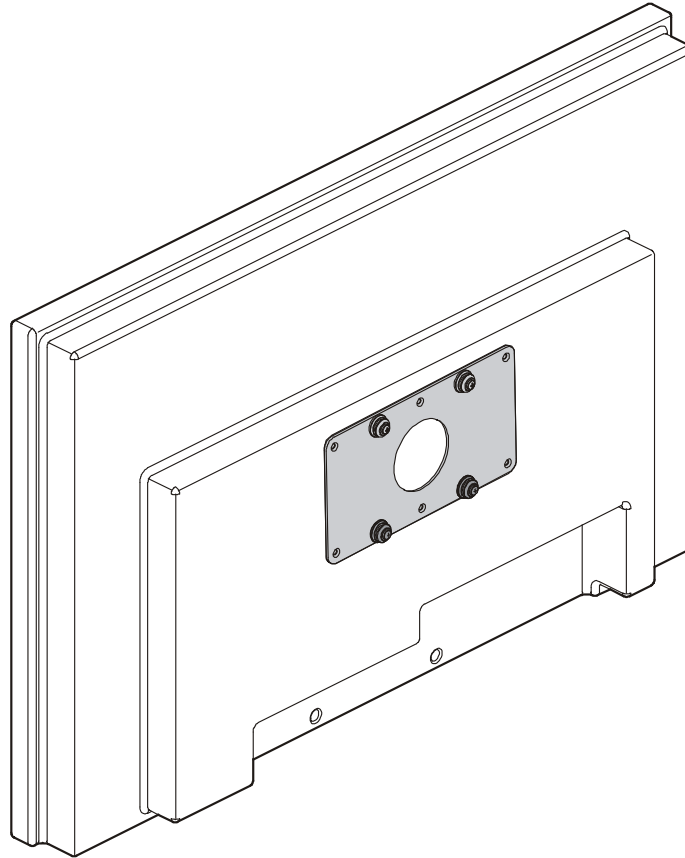

INSTALLATION INSTRUCTIONS



Small Display Interface Bracket

Touchboards

205 Westwood Ave, Long Branch, NJ 07740
Phone: 866-94 BOARDS (26273) / (732)-222-1511
Fax: (732)-222-7088 | E-mail: sales@touchboards.com

DISCLAIMER

Milestone AV Technologies and its affiliated corporations and subsidiaries (collectively "Milestone"), intend to make this manual accurate and complete. However, Milestone makes no claim that the information contained herein covers all details, conditions or variations, nor does it provide for every possible contingency in connection with the installation or use of this product. The information contained in this document is subject to change without notice or obligation of any kind. Milestone makes no representation of warranty, expressed or implied, regarding the information contained herein. Milestone assumes no responsibility for accuracy, completeness or sufficiency of the information contained in this document.

Chief® and Centris® are registered trademarks of Milestone AV Technologies. All rights reserved.

! IMPORTANT SAFETY INSTRUCTIONS

! WARNING: A WARNING alerts you to the possibility of serious injury or death if you do not follow the instructions.

! CAUTION: A CAUTION alerts you to the possibility of damage or destruction of equipment if you do not follow the corresponding instructions.

! WARNING: Failure to read, thoroughly understand, and follow all instructions can result in serious personal injury, damage to equipment, or voiding of factory warranty! It is the installer's responsibility to make sure all components are properly assembled and installed using the instructions provided.

! WARNING: Failure to provide adequate structural strength for this component can result in serious personal injury or damage to equipment! It is the installer's responsibility to make sure the structure to which this component is attached can support five times the combined weight of all equipment. Reinforce the structure as required before installing the component.

! WARNING: Exceeding the weight capacity can result in serious personal injury or damage to equipment! It is the installer's responsibility to make sure the combined weight of all components attached to the FSBV does not exceed 45 lbs (20.4 kg).

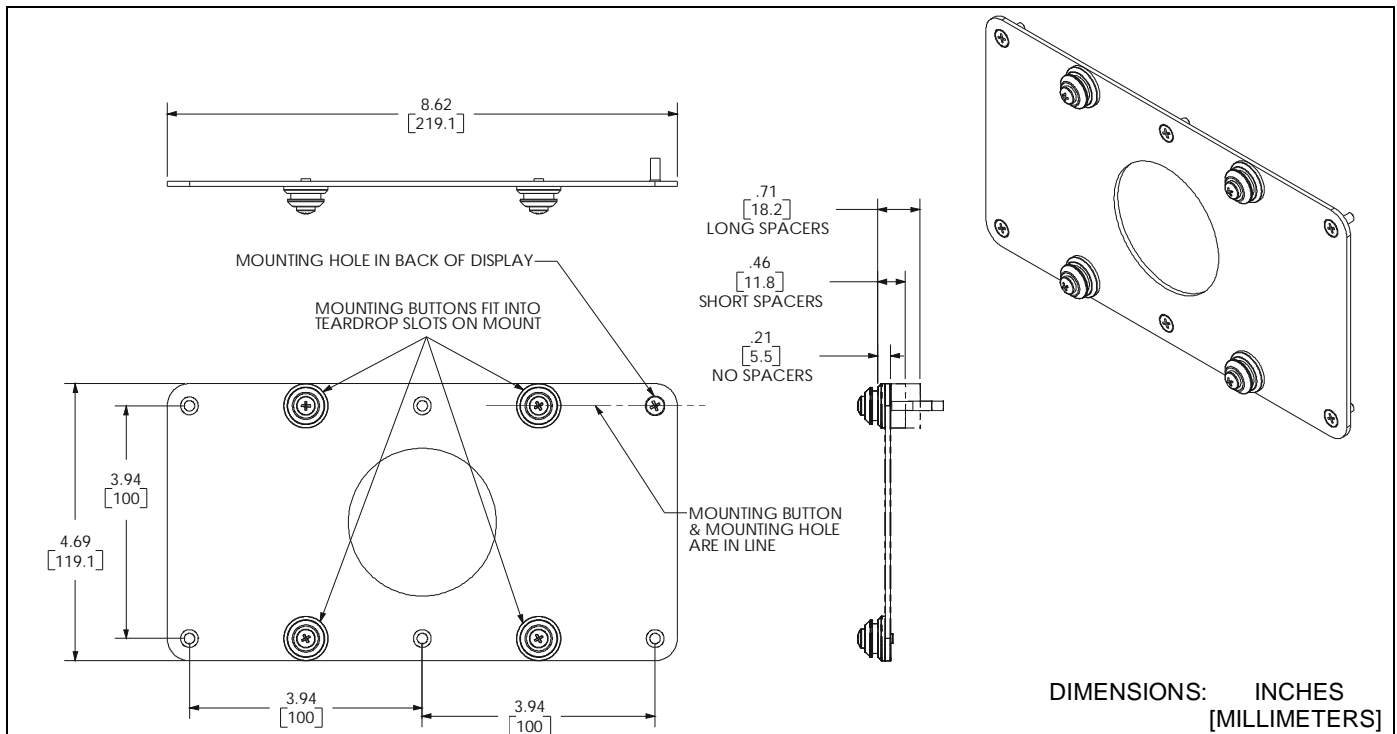
! WARNING: Use this mounting system only for its intended use as described in these instructions. Do not use attachments not recommended by the manufacturer.

! WARNING: Never operate this mounting system if it is damaged. Return the mounting system to a service center for examination and repair.

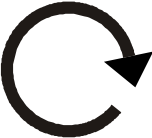

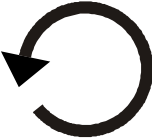

! WARNING: Do not use this product outdoors.

--SAVE THESE INSTRUCTIONS--

DIMENSIONS



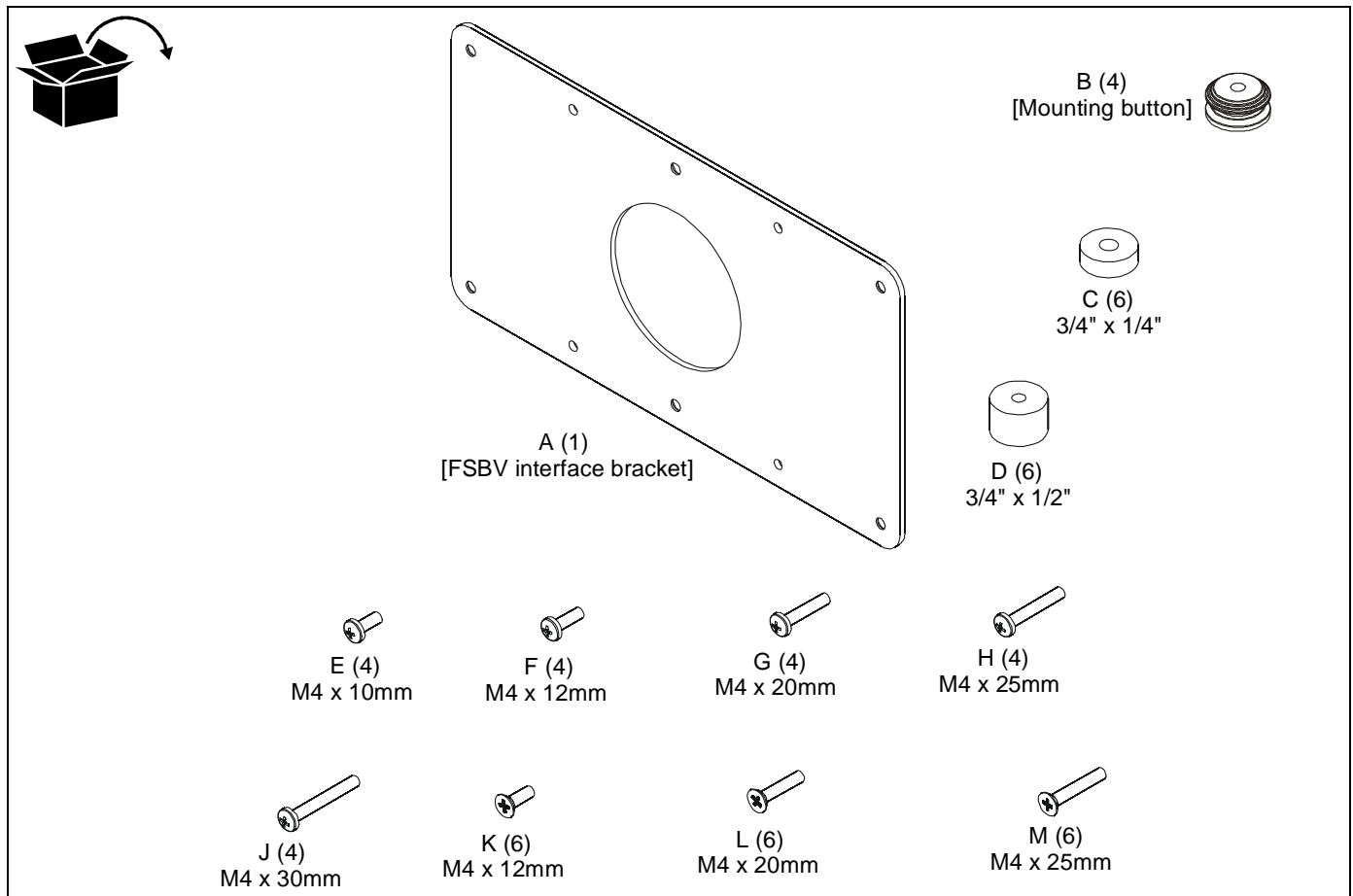
LEGEND

	Tighten Fastener		Phillips Screwdriver
	Apretar elemento de fijación		Destornillador Phillips
	Befestigungsteil festziehen		Kreuzschlitzschraubendreher
	Apertar fixador		Chave de fendas Phillips
	Serrare il fissaggio		Cacciavite a stella
	Bevestiging vastdraaien		Kruiskopschroevendraaier
Serrez les fixations	Tournevis à pointe cruciforme		
	Loosen Fastener		By Hand
	Aflojar elemento de fijación		A mano
	Befestigungsteil lösen		Von Hand
	Desapertar fixador		Com a mão
	Allentare il fissaggio		A mano
	Bevestiging losdraaien		Met de hand
Desserrez les fixations	À la main		

TOOLS REQUIRED FOR INSTALLATION



PARTS



INSTALLATION



CAUTION: IMPROPER INSTALLATION CAN LEAD TO DISPLAY FALLING! Use only hardware provided and referenced within these instructions. DO NOT substitute!

INSTALLATION FOR MOUNTS WITH LATCHING FLAGS

1. Assemble four mounting buttons (B) to interface bracket (A) using four M4 x 12mm Phillips pan head screws (F). (See Figure 1)

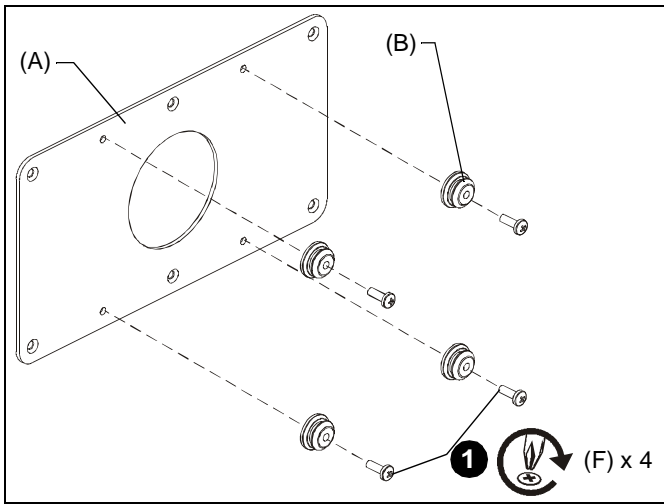


Figure 1

Flush Mount Display Interface Installation

1. Assemble interface bracket assembly (with mounting buttons) to display using six M4 x 12mm Phillips flat head screws (K). (See Figure 2)

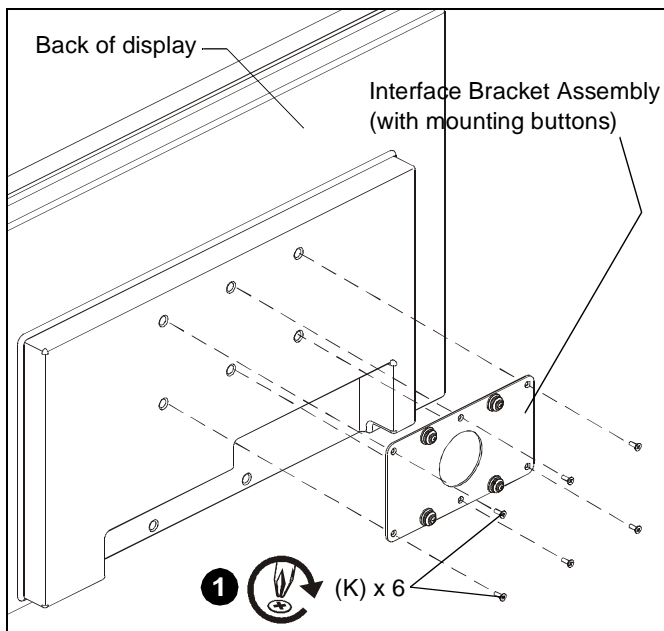


Figure 2

Recessed Mount Display Interface Installation

1. Align and place six spacers (C or D) over mounting holes in display back. (See Figure 3)
2. Align and place interface bracket assembly over six spacers (C or D). (See Figure 3)
3. Secure interface assembly to display back using six M4 x 20mm (L) or six M4 x 25mm (M) Phillips flat head screws. (See Figure 3)

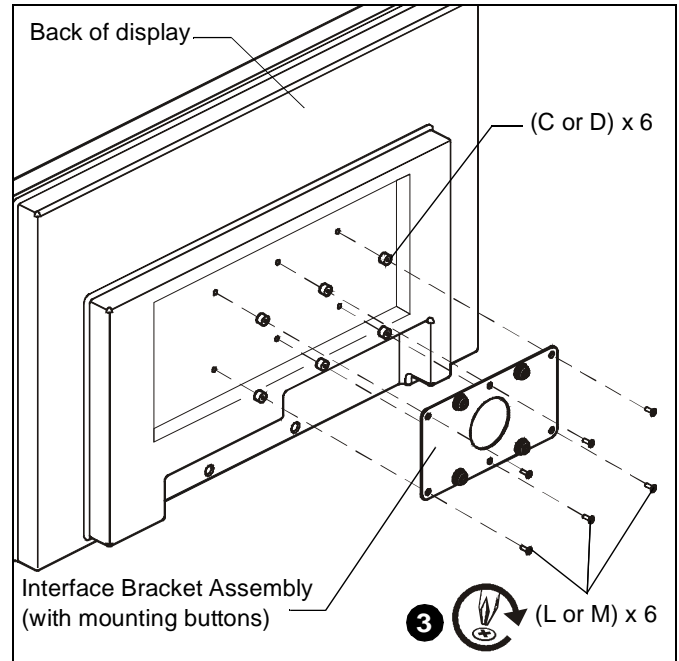


Figure 3

INSTALLATION FOR MOUNTS WITH CENTRIS CUP



CAUTION: IMPROPER INSTALLATION CAN LEAD TO DISPLAY FALLING! Use only hardware provided and referenced within these instructions. DO NOT substitute!

VESA 75mm x 75mm or 100mm x 100mm Mounting Pattern

If the display being mounted has a VESA compliant mounting pattern of 75mm x 75mm or 100mm x 100mm follow the installation instructions provided with the mount.

VESA 200mm x 100mm Flush Mount Display Installation

1. Place display face down on a clean dry surface.
2. Assemble interface bracket (A) to display using six M4 x 12mm Phillips flat head screws (K). (See Figure 4)
3. Proceed to **Installing to Centris Cup** section.

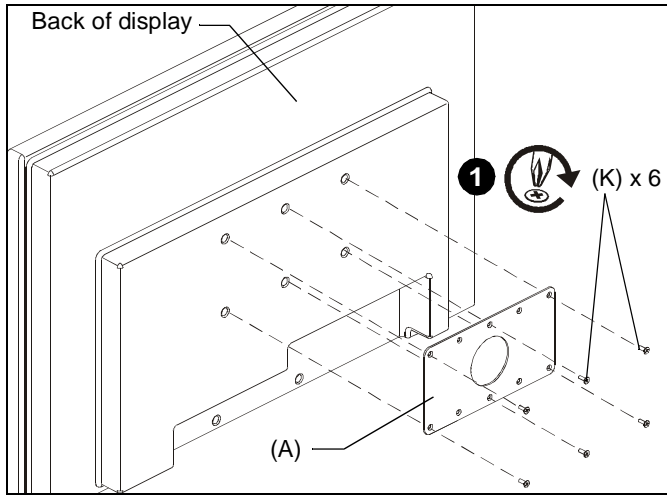


Figure 4

VESA 200mm x 100mm Recessed Mount Display Installation

1. Align and place six spacers (C or D) over mounting holes in display back. (See Figure 5)
2. Align and place interface bracket (A) over six spacers (C or D). (See Figure 5)
3. Secure interface assembly to display back using six M4 x 20mm (L) or six M4 x 25mm (M) Phillips flat head screws. (See Figure 5)

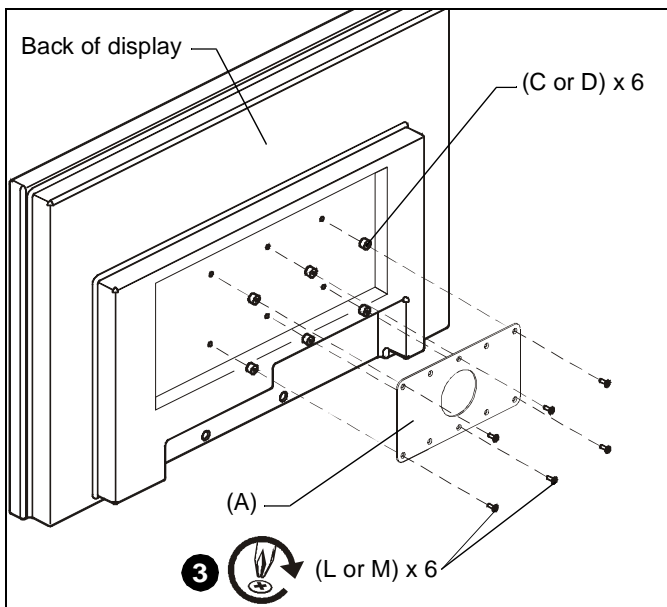


Figure 5

Installing to Centris Cup

1. Assemble two M4 x 20mm Phillips pan head upper mounting screws (G) into interface bracket (A). (See Figure 6)

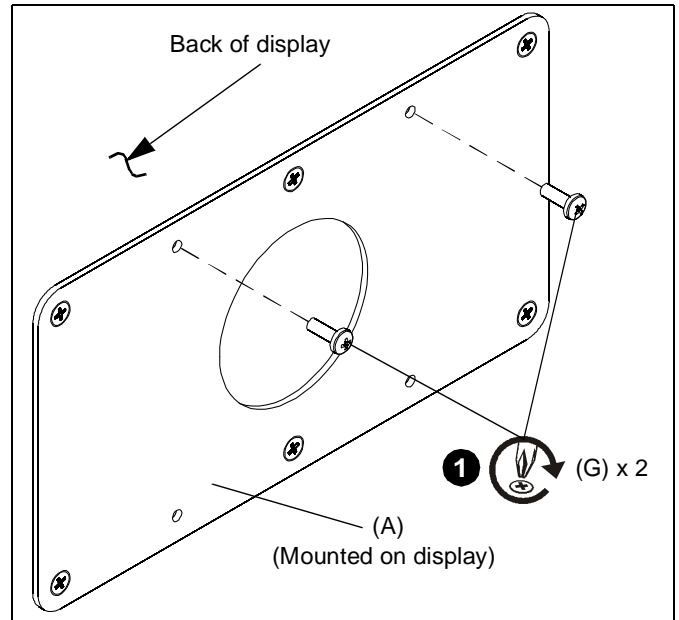


Figure 6

2. Align two mounting screws (G) with upper teardrop mounting holes in Centris head.
3. Insert two upper mounting screws (G) into upper teardrop mounting holes in Centris head, and lower display until mounting screws are fully seated in lower area of teardrop mounting holes. (See Figure 7)

NOTE: DO NOT fully tighten mounting screws at this time.

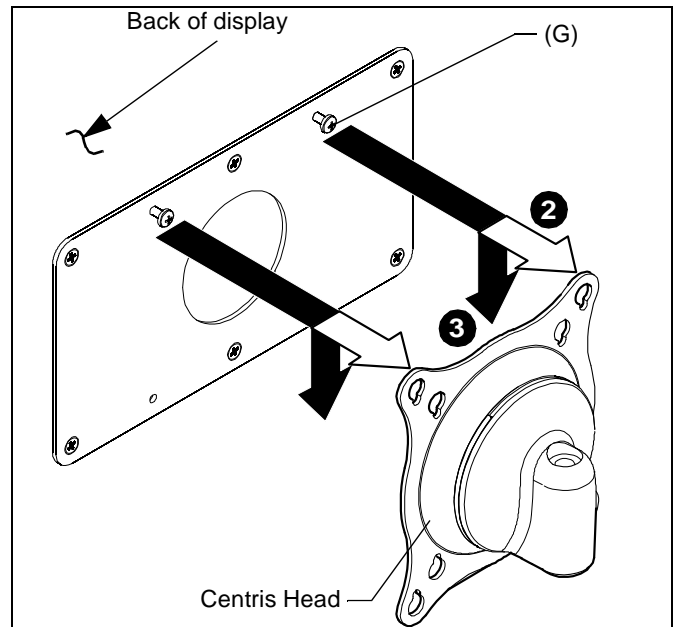


Figure 7

4. Insert two lower mounting screws (G) into lower teardrop mounting holes in Centris head. (See Figure 8)

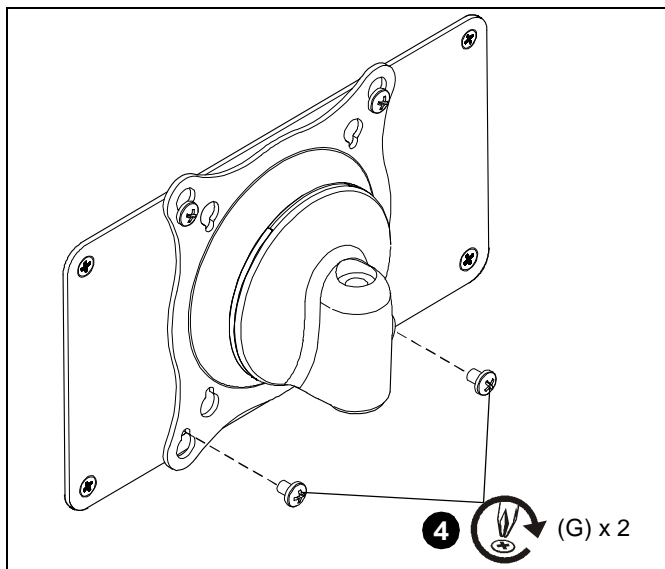


Figure 8

5. Fully tighten four mounting screws.



Our Mounts. **Your Vision.**

Chief, a products division of
Milestone AV Technologies

8800-002667 Rev00
©2014 Milestone AV Technologies
www.chiefmfg.com
12/14

USA/International	A 6436 City West Parkway, Eden Prairie, MN 55344 P 800.582.6480 / 952.225.6000 F 877.894.6918 / 952.894.6918
Europe	A Franklinstraat 14, 6003 DK Weert, Netherlands P +31 (0) 495 580 852 F +31 (0) 495 580 845
Asia Pacific	A Office No. 918 on 9/F, Shatin Galleria 18-24 Shan Mei Street Fotan, Shatin, Hong Kong P 852 2145 4099 F 852 2145 4477

