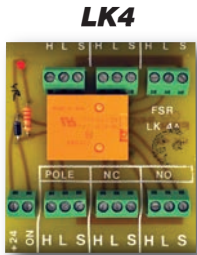


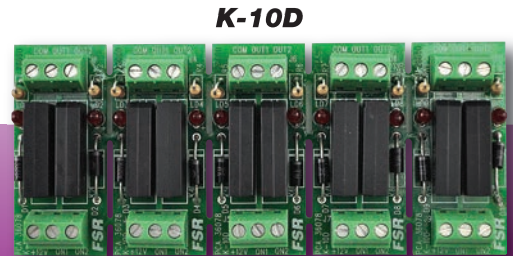
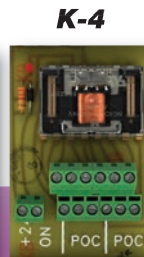
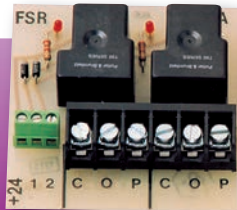
Relay Cards



Discontinued



AC-2A



K-10D GENERAL PURPOSE RELAY CARD

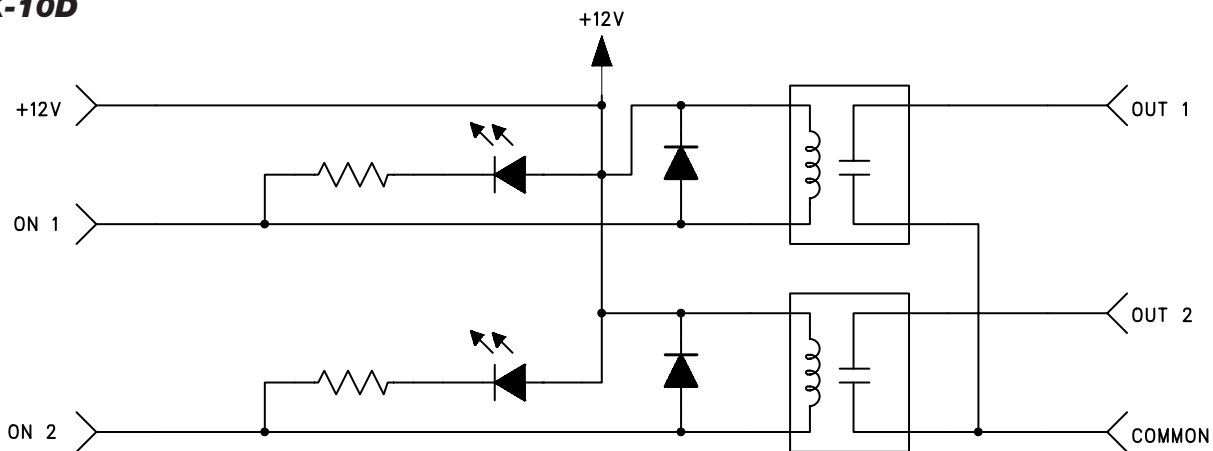
The K-10D relays can be driven from a low level GPIO input and be effectively used where a relay output is required from an open collector output. These handy boards provide a simple method to interface a low level control output from a control system such as the FSR Flex GPIO ports to higher level loads such as a low voltage screen controller. They can also be used to reverse control output logic if necessary. The units use captive screw terminals for fast, easy wiring and include on-board LEDs that monitor relay state. The K-10D "5 pack" includes the "snap away" relay modules and hook-and-loop mounting strips.

Specifications:

Coil: 12VDC @ 33mA (1 pack)
 Contacts: 2 NO SPST (1 pack)
 Contact Rating: Max DC voltage: 48V
 Max current: 0.5A (10W max)
 Operate Time: 0.5ms typical
 Release Time: 0.2ms typical

Size: 1.7" W X .75" D X .475" H
 (The overall length of the "5-pack" is 3.95")

K-10D



205 Westwood Ave, Long Branch, NJ 07740
 Phone: 866-94 BOARDS (26273) / (732)-222-1511
 Fax: (732)-222-7088 | E-mail: sales@touchboards.com

FSR Inc.

244 Bergen Boulevard, Woodland Park, NJ 07424
 Phone: 973.785.4347 · Fax: 973.785.4207
 Web: www.fsrinc.com · E-mail: sales@fsrinc.com

(Over)

LIT1362A

LK-2 / LK-4 AUDIO RELAY CARDS

These relay cards are designed to accept and switch standard, 2 wire and shield, audio lines (Belden 8451 or equivalent). Both cards feature captive screw terminals for each of the 3-position audio lines. An LED status indicator and protection diodes to suppress transients are also provided.

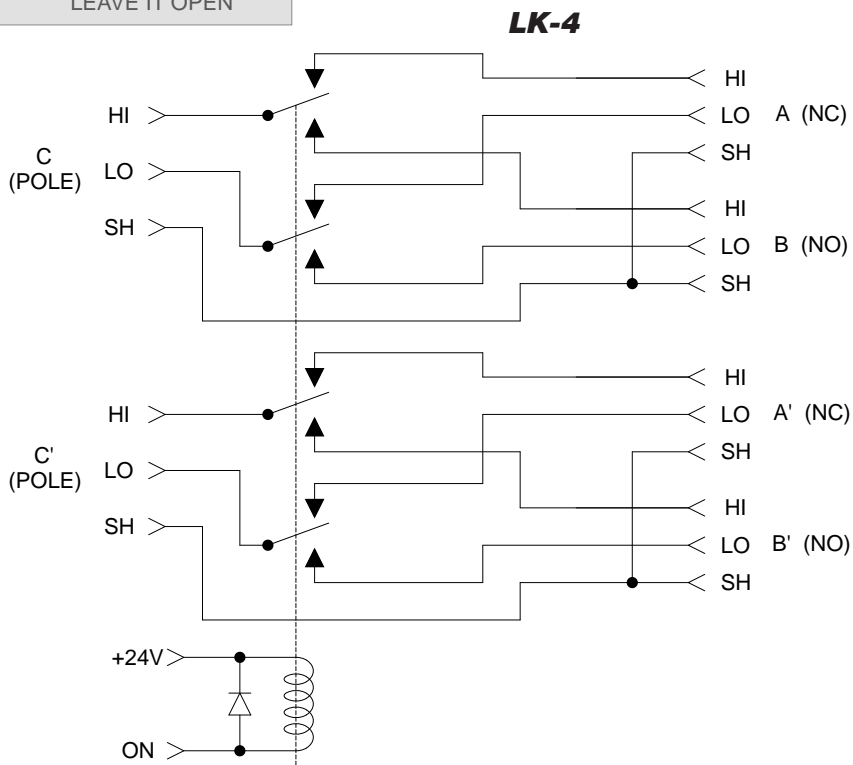
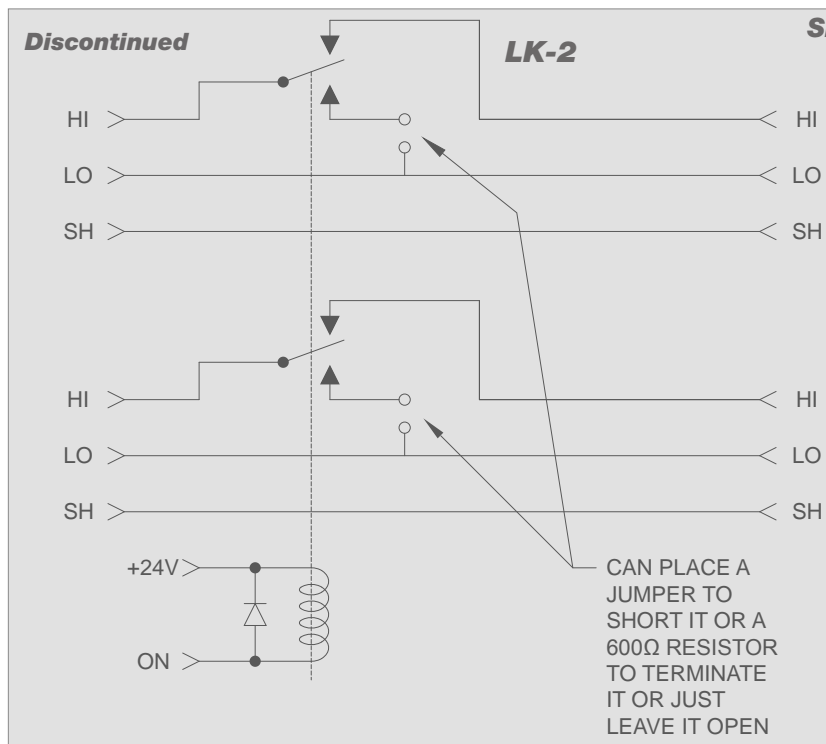
LK-2 — Accepts up to two audio lines and can open, short, close these lines (see diagram).

LK-4 — Accepts up to four audio lines and switches from A or B to C (see diagram).

Specifications:

Contacts	LK-2 2 Form C bifurcated LK-4 4 Form C bifurcated
Contact Rating:	Non-inductive load Max 2A @ 30VDC or 0.5A @ 115VAC
Contact Material:	Fine silver gold-clad
Operate Time:	10ms at nominal coil voltage
Release Time:	4ms at nominal coil voltage
Coil: LK-2	24VDC @ 30mA
LK-4	24VDC @ 30mA

Sizes: LK-2	2"W x 3.125"D x 0.75"H
LK-4	3"W x 3.125"D x 0.75"H



K-2 / K-4 / K-2S GENERAL PURPOSE RELAY CARDS

These relays provide the installer with a variety of switching functions with a maximum current of 5 amps.

K-2 single relay with DPDT bifurcated contacts. K-4 single relay with 4PDT bifurcated contacts. K-2S with two relays each with SPDT contacts.

K-2, K-4, and K-2S have LED status indication.

Specifications:

Coil:	K-2	24VDC @ 25mA
	K-4	24VDC @ 40mA
	K-2S	24VDC @ 40mA

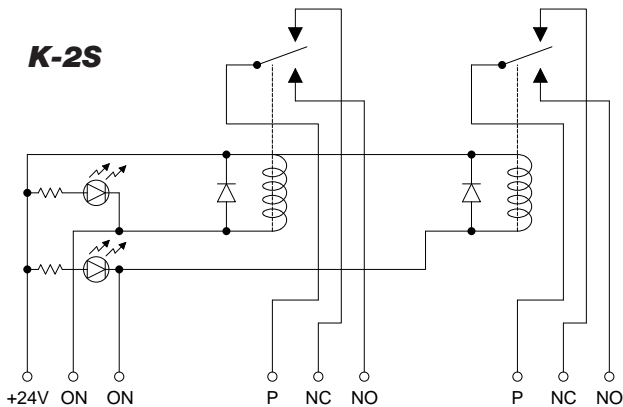
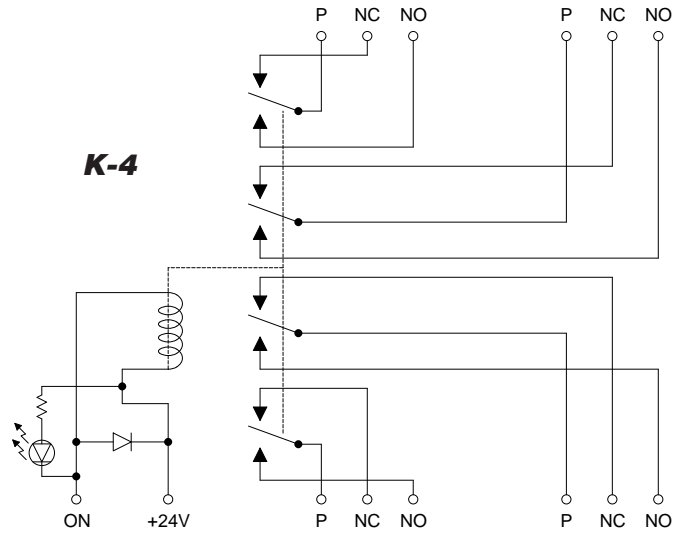
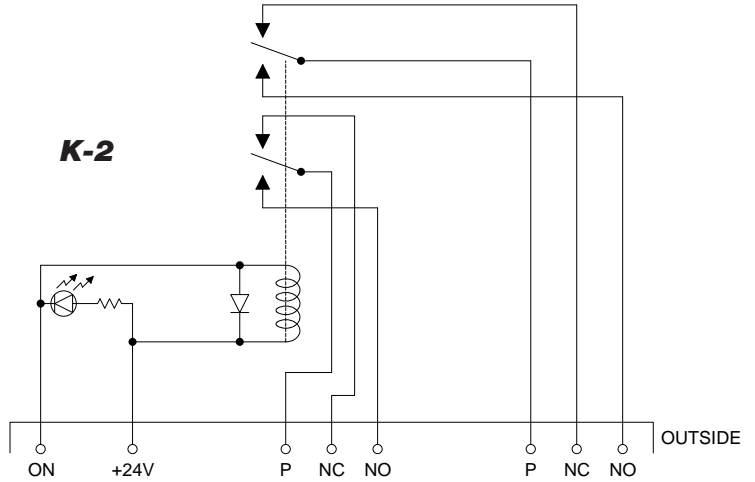
K2 and K4

Contact Rating:	Max switching power 1250VA Max switching voltage 250VAC Max switching current 5A
Contact Material:	Gold clad silver-nickel alloy
Operate time:	K-2 5ms K-4 10ms
Release time:	5ms

K-2S

Contact Rating:	Max switching voltage 240VAC Max switching current 5A
Contact Material:	Silver Cadmium Oxide
Characteristics:	Operate time 10ms Release time 5ms

Sizes:	K-2	1.75" W x 3.125" D x 0.75" H
	K-4	2.125" W x 3.125" D x 1" H
	K2S	2.5" W x 3.125" D x 1.125" H

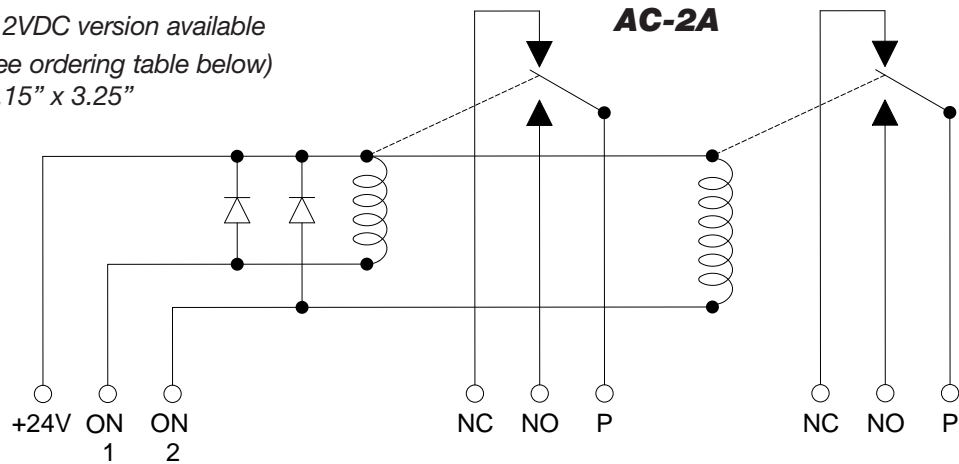


AC-2A HIGH-CURRENT RELAY CARDS

The AC-2A is a high current relay capable of switching loads up to 15 Amps with two SPDT switching circuits. The AC-2A has an LED status indicator and reverse RMS transient protection diodes.

Specifications:

- Contacts: Form C (SPDT)
 - Contact Rating: 15A @ 120VAC
Inductive or resistive
 - Contact Material: Silver-Cadmium Oxide
 - Operate Time: 15ms @ nominal coil voltage
 - Release Time: 10ms @ nominal coil voltage
 - Coil: 24VDC @ 36mA
(12VDC version available
see ordering table below)
- Size:** 3.15" x 3.25"



ORDERING INFORMATION

Model	For Control Applications	FSR Power Supply (sold separately)	
K-2	One DPDT relay, 5A contacts	PS-24DC	24DC 500mA
K-2S	Two SPDT relays, 5A contacts	PS-24DC	24DC 500mA
K-4	One 4PDT relay, 5A contacts	PS-24DC	24DC 500mA
K-10D	"Break-Away" 5 sets of 2 relays for UP/DN, Open/Close	IT-PS1	12VDC 1A
Model	For Audio Switching Applications		
LK-2	Opens or closes two balanced audio lines.	PS-24DC	24DC 500mA
LK-4	A-B switch for two balanced stereo audio lines.	PS-24DC	24DC 500mA
Model	For Power Applications		
AC-2A	2 x 120VAC 15A NO NC Relays 24VDC Act.	PS-24DC	24DC 500mA
AC-2A-12V	2 x 120VAC 15A NO NC Relays 12VDC Act.	IT-PS1	12VDC 1A

P= Pole
 NC=Normally closed contact
 NO=Normally open contact

FSR Inc.

244 Bergen Boulevard, Woodland Park, NJ 07424
 Phone: 973.785.4347 · Fax: 973.785.4207
 Web: www.fsrinc.com · E-mail: sales@fsrinc.com

LIT1362A



Specifications are subject to change without notice.