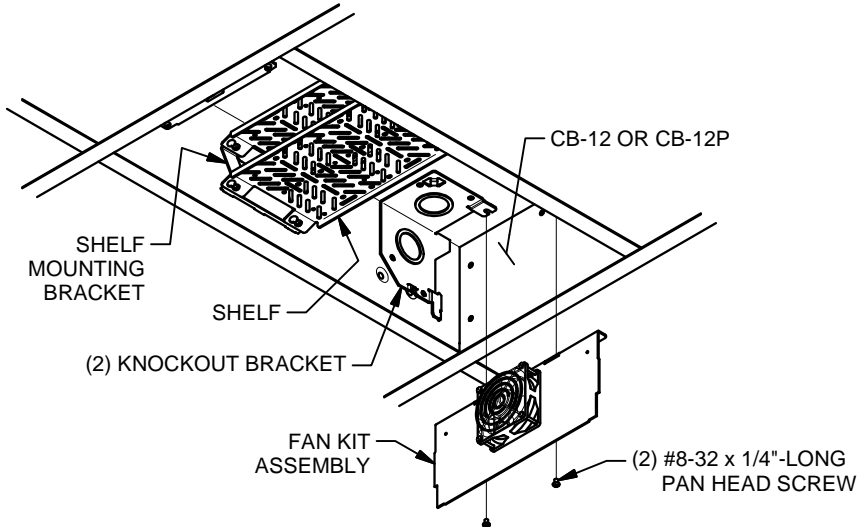
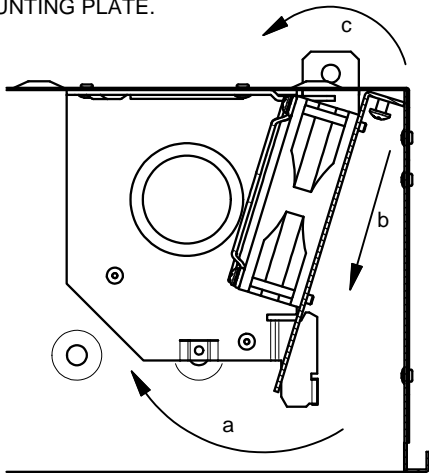


FOR MODEL CB-12 REMOVE DOOR (REFER TO DOCUMENT C-1115 INCLUDED WITH CB-12). FOR MODEL CB-12P REMOVE DOOR AND POLE MOUNT ASSEMBLY (REFER TO DOCUMENT C-1116 INCLUDED WITH CB-12P). INSTALL FAN KIT ASSEMBLY AS SHOWN. ROUTE FAN WIRING AS REFERENCED IN BOTTOM VIEW. RE-ASSEMBLE CEILING BOX.

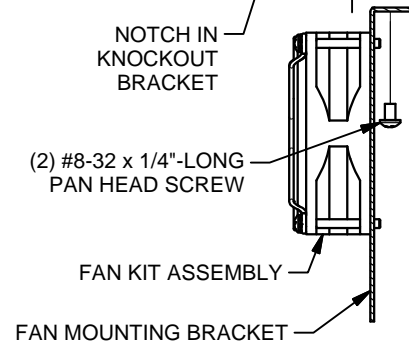
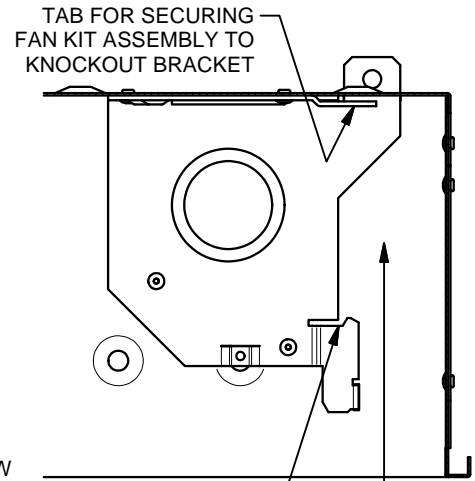
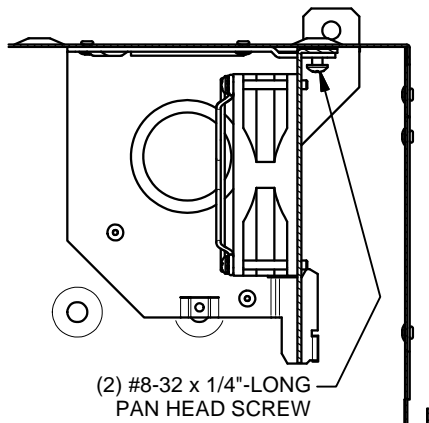
1. INSTALL (2) #8-32 x 1/4"-LONG PAN HEAD SCREW INTO FAN MOUNTING BRACKET (2 TURNS ONLY). PUSH FAN KIT ASSEMBLY TO TOP SURFACE OF CEILING BOX.



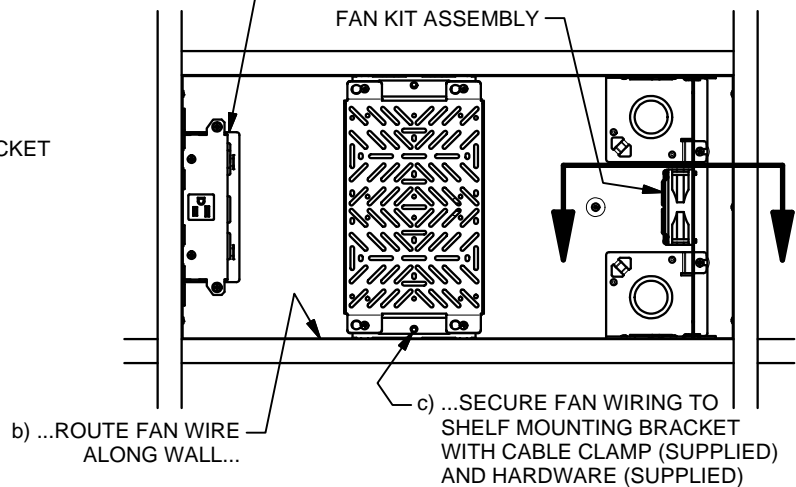
2. (a) ROTATE FAN KIT ASSEMBLY AS SHOWN. (b) SLIDE PLATE DOWN INTO NOTCH OF KNOCKOUT BRACKET. (c) ROTATE ASSEMBLY AS SHOWN SO TABS OF THE KNOCKOUT BRACKETS SLIP THROUGH THE OPENINGS ON THE FAN MOUNTING PLATE.



3. SECURE FAN KIT ASSEMBLY TO KNOCKOUT BRACKET WITH (2) #8-32 x 1/4"-LONG PAN HEAD SCREW.



4. a) PLUG FAN POWER SUPPLY INTO MOST APPROPRIATE AC SOCKET...



BOTTOM VIEW SHOWING FAN KIT ASSEMBLY INSTALLED