

1. INSTALL CB-12 TO A STRUCTURAL CEILING ABLE TO SUPPORT FIVE TIMES THE NOTED GROSS WEIGHT. USE APPROPRIATE MOUNTING METHODS BASED ON LOCAL BUILDING CODES. INSTALL SAFETY CABLE AS REQUIRED BY LOCAL BUILDING CODES. ROUTE CONDUITS TO BOX AS REQUIRED.

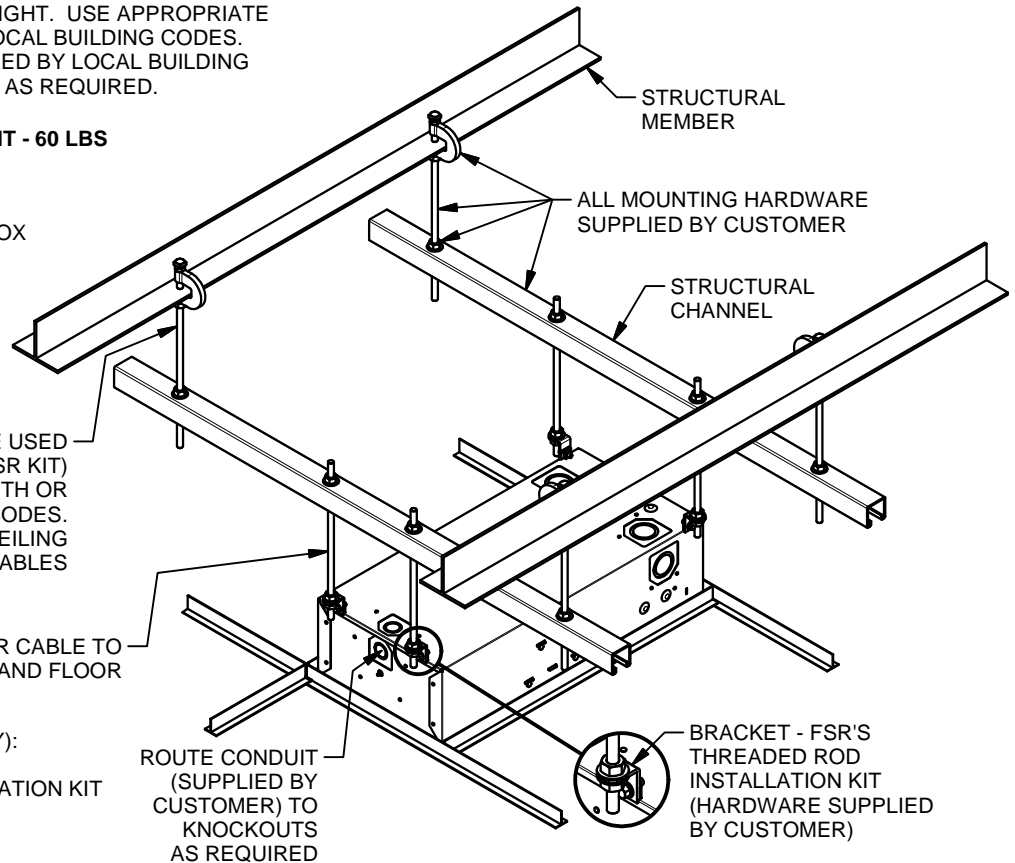
NOTE: MAXIMUM GROSS WEIGHT - 60 LBS

NOTE: THREADED ROD IS THE RECOMMENDED CEILING BOX MOUNTING SUSPENSION (SHOWN), TO MINIMIZE FIXTURE TILTING DUE TO THE WEIGHT OF ANY SUSPENDED EQUIPMENT.

14 GA. STEEL TIE WIRE MAY BE USED (SUPPLIED BY CUSTOMER OR USE FSR KIT) AT 70,000 PSI TENSILE STRENGTH OR BETTER AS REQUIRED BY BUILDING CODES. NOTE: WIRES SUPPORT CEILING BOX, AND ARE **NOT** SAFETY CABLES

THREADED ROD OR CABLE TO BE PLUMB WITH CEILING AND FLOOR

AVAILABLE KITS (SOLD SEPARATELY):
 CB-MNT1 - CABLE INSTALLATION KIT
 CB-THRD - THREADED ROD INSTALLATION KIT



2. INSTALL 10-3/4" x 19-1/2" DROP CEILING PANEL MATERIAL INTO DOOR OF CB-12. BEND CAPTURE TABS OVER PANEL TO HOLD PANEL IN PLACE.

3. REMOVE SHELF AND MOUNT ELECTRONICS TO SHELF. USE HOLE/SLOT PATTERN ON SHELF TO MOUNT EQUIPMENT. ADDITIONAL HOLES MAY BE REQUIRED. RE-INSTALL SHELF INTO CB-12. MAKE ELECTRICAL CONNECTIONS AS REQUIRED.

NOTE: MAXIMUM LOAD PER SHELF - 20 LBS EACH

