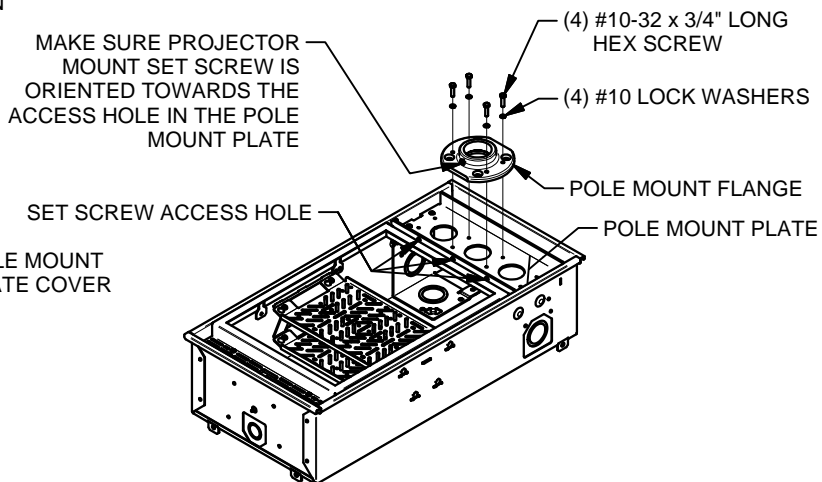
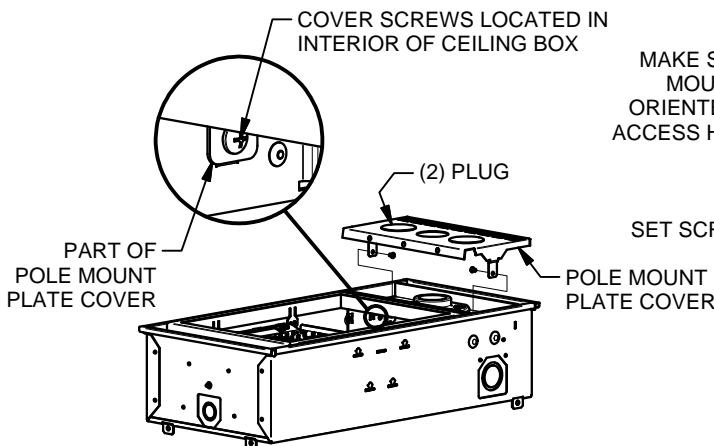


1. PRIOR TO CEILING INSTALLATION, DETERMINE MOUNTING LOCATION OF THE FLANGE FOR THE PROJECTOR MOUNT. IF DEFAULT FACTORY LOCATION WILL BE USED, PROCEED TO STEP 2. IF CHANGING TO ALTERNATE LOCATION, FOLLOW STEPS 1a THRU 1b.

**NOTE:** FLANGE LOCATION CAN BE CHANGED AFTER CEILING INSTALLATION.

- 1a. REMOVE POLE MOUNT PLATE COVER (COVER SCREWS LOCATED IN INTERIOR OF CEILING BOX).

- 1b. REMOVE FLANGE AND MOVE TO ALTERNATE LOCATION. CHANGE PLUG LOCATION ON THE POLE MOUNT PLATE COVER AS REQUIRED, AND RE-INSTALL THE PLATE COVER WITH THE (2) ORIGINAL SCREWS.



2. INSTALL CB-12P TO A STRUCTURAL CEILING ABLE TO SUPPORT FIVE TIMES THE NOTED GROSS WEIGHT. USE APPROPRIATE MOUNTING METHODS BASED ON LOCAL BUILDING CODES. INSTALL SAFETY CABLE AS REQUIRED BY LOCAL BUILDING CODES. ROUTE CONDUITS TO BOX AS REQUIRED.

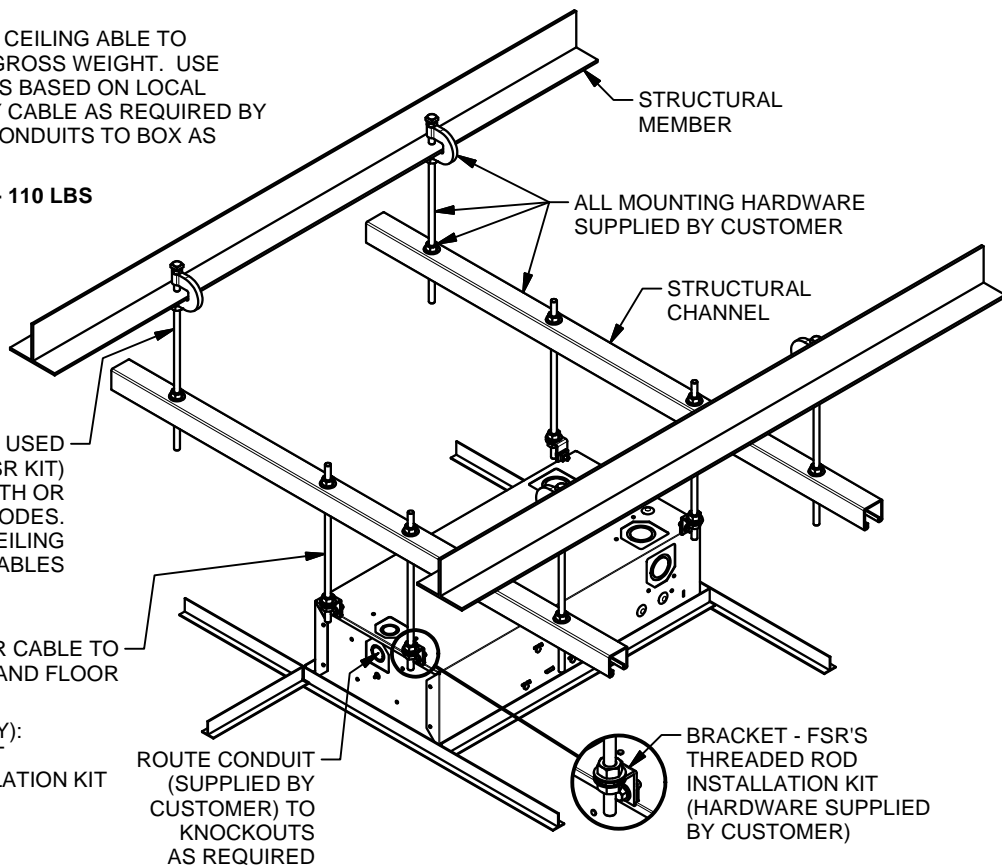
**NOTE: MAXIMUM GROSS WEIGHT - 110 LBS**

NOTE: THREADED ROD IS THE RECOMMENDED CEILING BOX MOUNTING SUSPENSION (SHOWN), TO MINIMIZE FIXTURE TILTING DUE TO THE WEIGHT OF ANY SUSPENDED EQUIPMENT.

14 GA. STEEL TIE WIRE MAY BE USED (SUPPLIED BY CUSTOMER OR USE FSR KIT) AT 70,000 PSI TENSILE STRENGTH OR BETTER AS REQUIRED BY BUILDING CODES. NOTE: WIRES SUPPORT CEILING BOX, AND ARE **NOT** SAFETY CABLES

THREADED ROD OR CABLE TO BE PLUMB WITH CEILING AND FLOOR

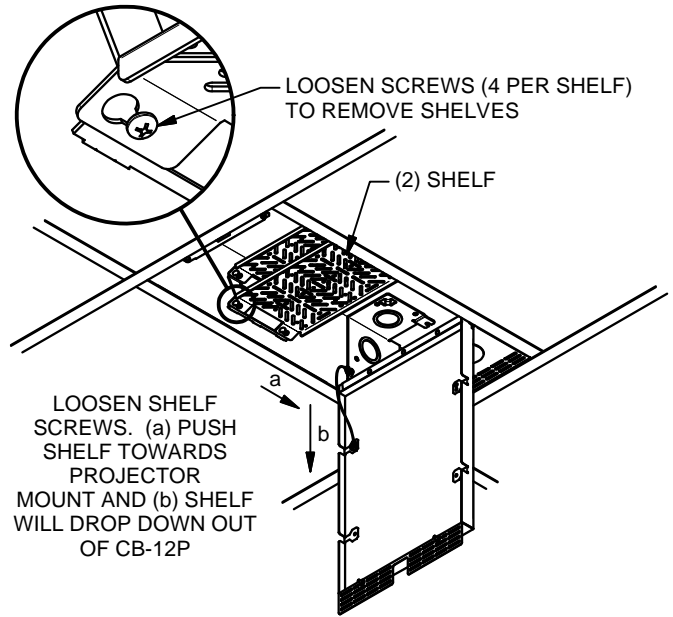
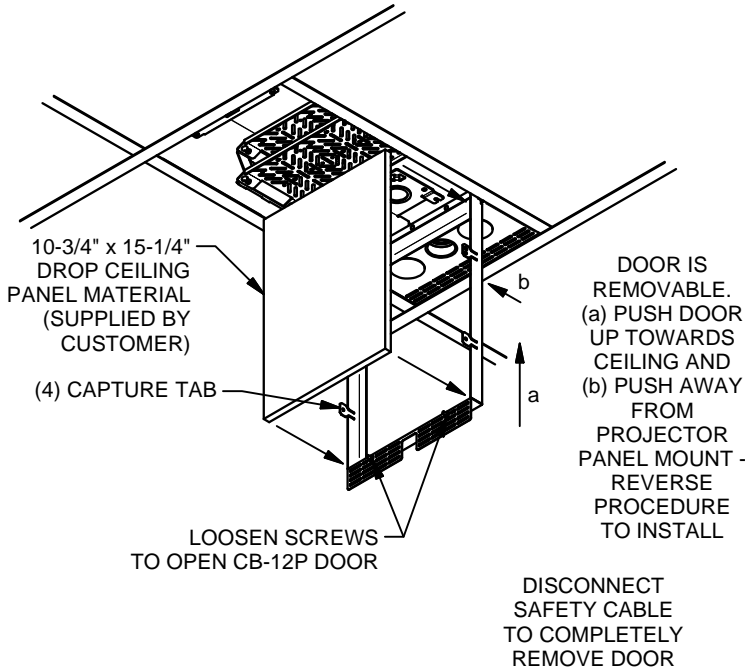
AVAILABLE KITS (SOLD SEPARATELY):  
 CB-MNT1 - CABLE INSTALLATION KIT  
 CB-THRD - THREADED ROD INSTALLATION KIT



3. INSTALL 10-3/4" x 15-1/4" DROP CEILING PANEL MATERIAL INTO DOOR OF CB-12P. BEND CAPTURE TABS OVER PANEL TO HOLD PANEL IN PLACE.

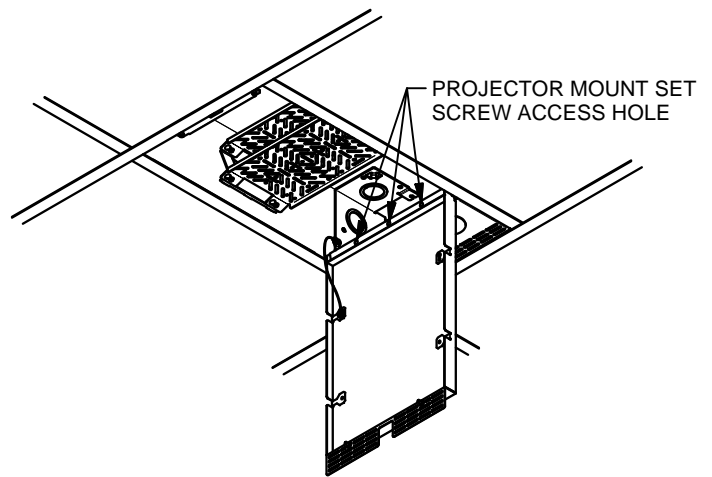
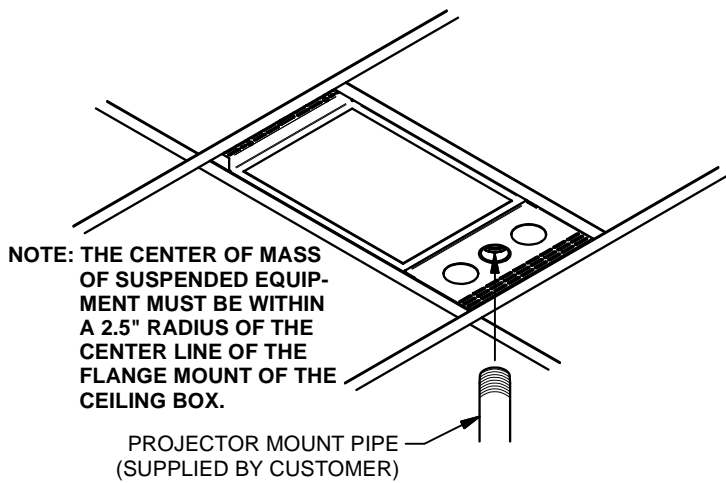
4. REMOVE SHELF AND MOUNT ELECTRONICS TO SHELF. USE HOLE/SLOT PATTERN ON SHELF TO MOUNT EQUIPMENT. ADDITIONAL HOLES MAY BE REQUIRED. RE-INSTALL SHELF INTO CB-12P. MAKE ELECTRICAL CONNECTIONS AS REQUIRED.

**NOTE: MAXIMUM LOAD PER SHELF - 20 LBS EACH**



5. INSTALL PROJECTOR MOUNT PIPE INTO CB-12P. SECURE PIPE WITH SET SCREW. FINISH INSTALLATION PER MANUFACTURER'S PROJECTOR MOUNT INSTRUCTIONS.

**NOTE: MAXIMUM PROJECTOR LOAD INCLUDING MOUNTED ACCESSORIES - 50 LBS**



**FSR Inc.**

244 Bergen Boulevard, Woodland Park, NJ 07424  
 Phone: 973.785.4347 - Fax: 973.785.4207  
 Web: www.fsrinc.com - E-mail: sales@fsrinc.com