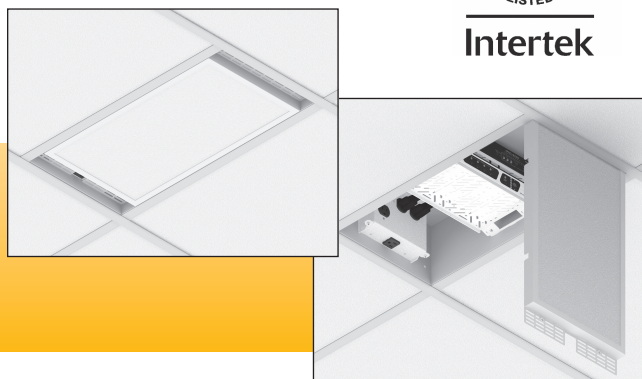


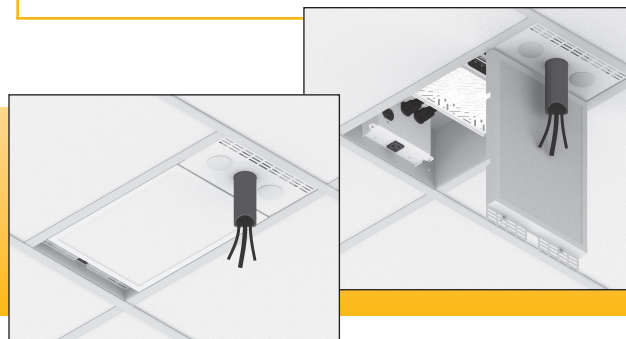
CB SERIES CEILING BOXES



FSR

Metal Products Group

CB SERIES



DESCRIPTION

FSR is providing solutions for your ceilings! Eliminate those unsightly equipment boxes hanging off the projector poles or mounted to your walls ruining the architect's design. These enclosures allow you to conceal your equipment neatly out of site behind a hidden door that allows you to insert matching ceiling tiles. Select from two size ceiling enclosures and numerous options to fit your application.

CB-12 – CEILING ENCLOSURE

Designed for classrooms, this 2'x1' enclosure provides an external AC receptacle on the ceiling surface, four (two duplex) additional un-switched AC receptacles inside the enclosure, two shelves to mount two half-rack devices for control or AV equipment and knockouts to allow wiring. A white rim style door that you insert the ceiling tile into for a matching look is included. An optional fan kit as well as a variety of mounting kits are available.

CB-12P – CEILING ENCLOSURE with Projector Pole Mount

Same as above with the addition of an industry standard 1½" NPT fitting to hang up to a 50 lbs. projector (including mount accessory). This female pipe fitting can be located in multiple positions to optimize projector placement.

CB-22 – CEILING ENCLOSURE

Designed for classrooms, conference and meeting rooms with a projector and control equipment. This 2'x2' enclosure has ample room for two full rack pieces of equipment or four half-rack pieces on the built-in shelves. The unit includes an external AC receptacle and a switch/circuit breaker on the ceiling surface, and five AC outlets spaced to allow room for wall warts inside the enclosure. A white rim door that you insert a ceiling tile into for a matching look is included. An optional fan kit and a variety of mounting kits are available.

CB-22P – CEILING ENCLOSURE with Projector Pole Mount

Same as above with the addition of an industry standard 1½" NPT fitting to hang up to a 50 lbs. projector (including mount accessory). This female pipe fitting can be located in multiple positions to optimize projector placement.

CB-22S – SMART CEILING ENCLOSURE

The CB-22S is a "Smart Green Enclosure" features built-in projector state auto-sense which senses the power state of the projector to turn off remaining receptacles when the projector is turned off, thereby eliminating parasitic power consumption. The unit includes two monitored un-switched outlets, one on the ceiling surface for projector power. A main switch/circuit breaker and four switched AC outlets ergonomically spaced to allow room for wall warts. An integral fan is included. As options, the receptacles can also be triggered by a low voltage contact closure and switching power to all 6 outlets can be accommodated. A white rim style door that you insert a ceiling tile into for a matching look is included.

CB-22SP – CEILING ENCLOSURE with Projector Pole Mount

Same as above with the addition of an industry standard 1½" NPT fitting to hang up to a 50 lbs. projector (including mount accessory). This female pipe fitting can be located in multiple positions to optimize projector placement.

Mounting kit options (all models):

The **CB-MNT1** mounting kit attaches to the four integral mounting tabs attached to the ceiling box exterior. The kit includes four 100" stainless steel cables and four Kwikloc cable adjusters.

The **CB-THRD** mounting kit accepts 1/4" and 3/8" threaded rod and includes four hanger brackets that mount to the ceiling box with included 1/4-20 hardware.

APPLICATIONS

- Anywhere a Projector or Display is ceiling mounted
- Conference centers
 - Schools
 - General Meeting Facilities
 - Training Facilities
 - Airports
 - Museums

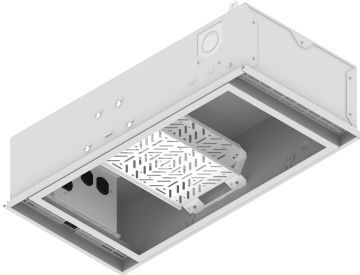
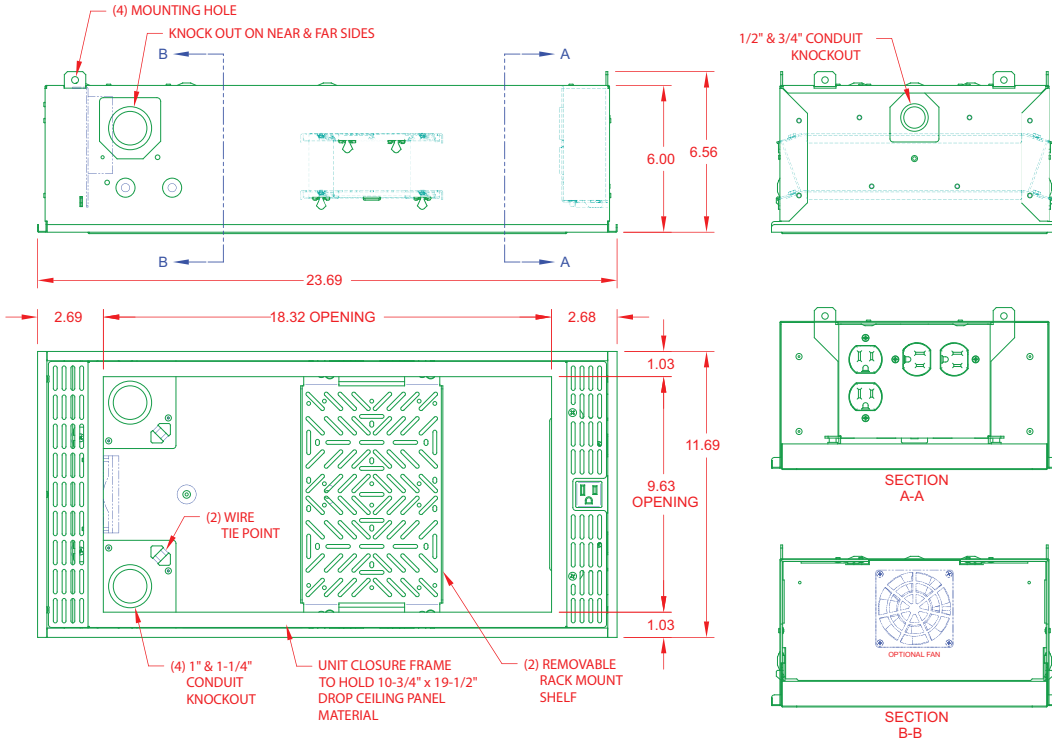
NOTE: For use with the common "T" grid drop ceiling systems, not compatible with all drop ceiling systems.

Touchboards

205 Westwood Ave, Long Branch, NJ 07740
Phone: 866-94 BOARDS (26273) | (732)-222-1511
Fax: (732)-222-7088 | E-mail: sales@touchboards.com

LIT1296C

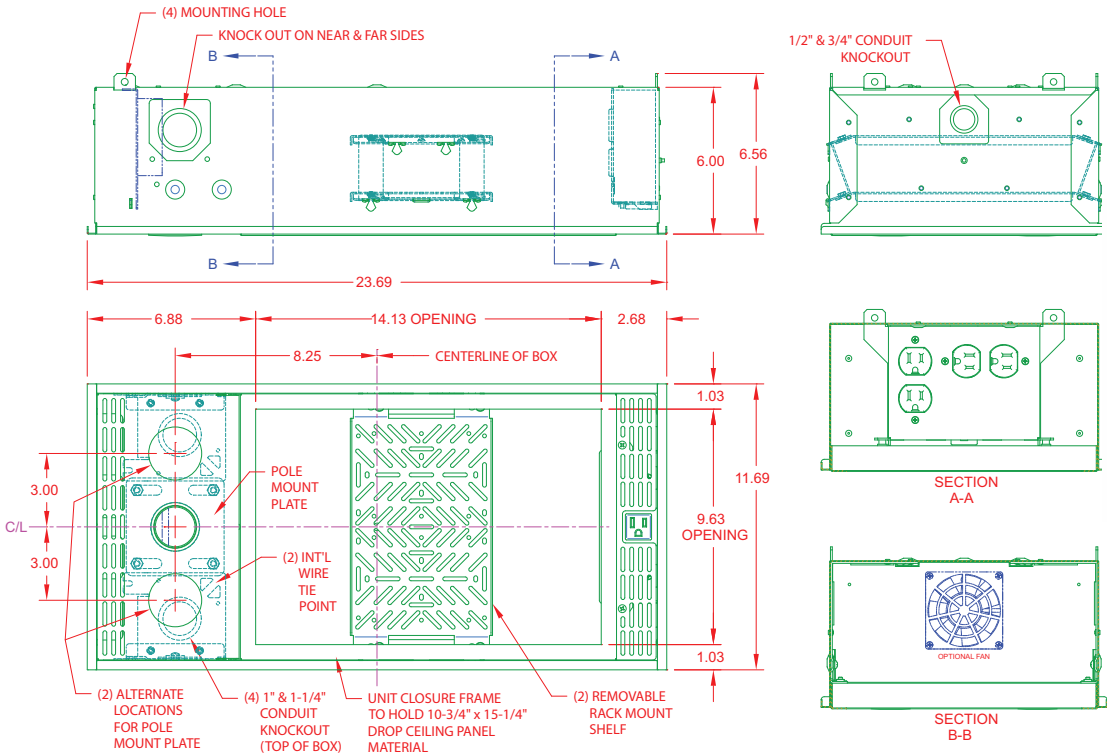
CB-12 SERIES DIMENSIONS



Product weight:
12.35 lbs
Shipping weight:
15.70 lbs.

NOTE: OPTIONAL ACCESSORY FAN SHOWN INSTALLED.

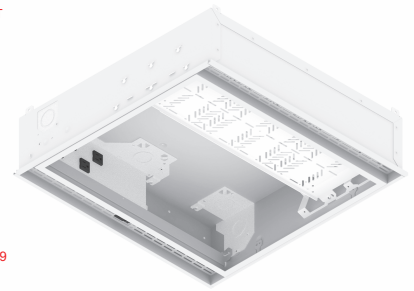
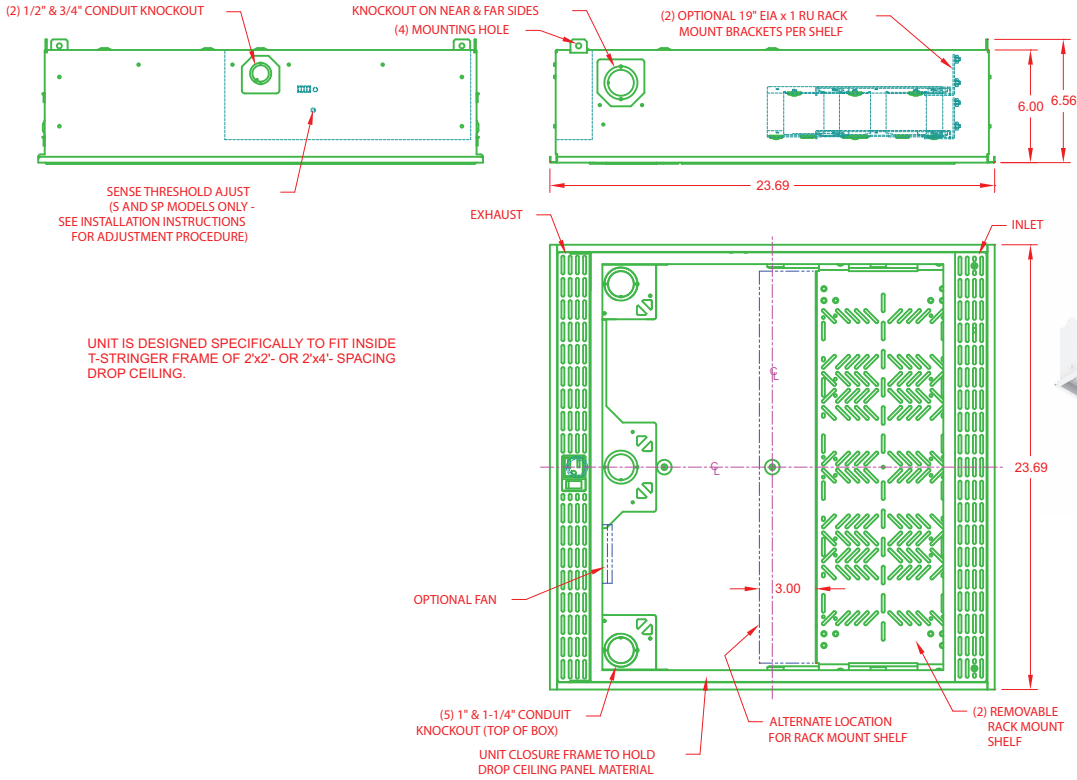
CB-12P SERIES DIMENSIONS



Product weight:
12.35 lbs
Shipping weight:
15.70 lbs.

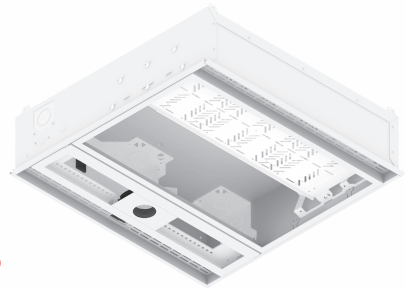
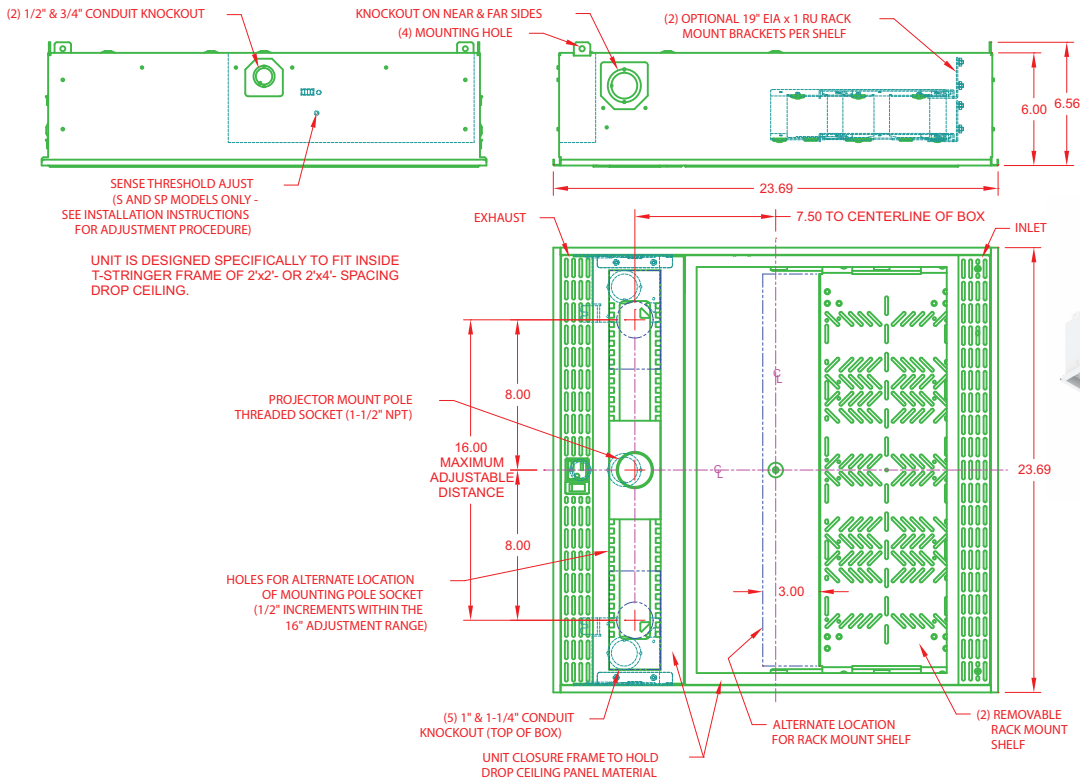
NOTE: OPTIONAL ACCESSORY FAN SHOWN INSTALLED.

CB-22 SERIES DIMENSIONS



Product weight:
22.50 lbs
Shipping weight:
29.20 lbs.

CB-22P SERIES DIMENSIONS

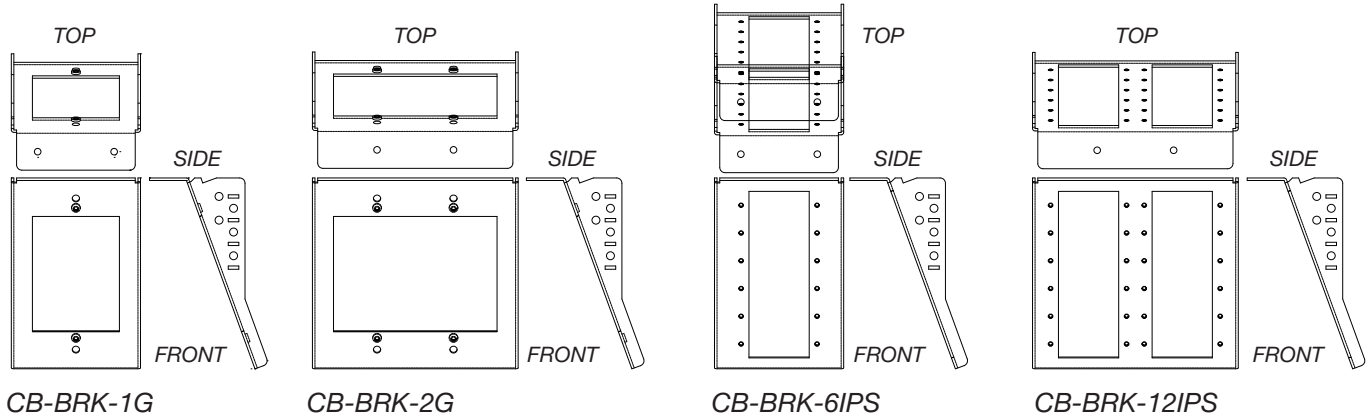


Product weight:
22.50 lbs
Shipping weight:
29.20 lbs.

CEILING BOX ORDERING INFORMATION

MODEL	DESCRIPTION
CB-12	1'x2' ceiling box with 5 AC outlets
CB-12P	1'x2' ceiling box with one 1½" NPT female fitting to accept projector pole mounting and 5 AC outlets
CB-12FAN	Fan kit for CB-12 / 12P 1'x2' ceiling box
CB-22	2'x2' ceiling box with 6 AC outlets
CB-22P	2'x2' ceiling box with one 1½" NPT female fitting to accept projector pole mounting and 6 AC outlets
CB-22FAN	Fan kit for CB-22 / 22P 2'x2' ceiling box
CB-22S	2'x2' ceiling box with smart AC switching 6 outlets (2 current sensing) integral fan
CB-22SP	2'x2' ceiling box with one 1½" NPT female fitting to accept projector pole mounting smart AC switching 6 outlet (2 current sensing) integral fan
CB-MNT1	Mounting kit including four 100" cables and four KWIKLOCS™
CB-THRD	Mounting kit for 1/4" and 3/8" threaded rod installation. Includes four hanger brackets and 1/4-20 mounting hardware. (Threaded rod not included)
CB-BRK-1G 1G	1 Gang Ceiling Box Installation Bracket
CB-BRK-2G 2G	2 Gang Ceiling Box Installation Bracket
CB-BRK-6IPS	6 IPS Ceiling Box Installation Bracket
CB-BRK-12IPS	12 IPS Ceiling Box Installation Bracket

Brackets can be "TEK" screwed to internal equipment areas of CB boxes as needed.



Doing a Large Project? Quantity Pricing Is Available.

AGENCY APPROVALS

PLENUM RATED: Conforms to UL 2043: UL Standard for Safety Fire Test for Heat and Visible Smoke Release for Discrete Products and Their Accessories Installed in Air-Handling Spaces.

SAFETY RATED: Conforms to: UL 60950-1: Information Technology Equipment - Safety and certified to CSA 22.2 60950-1: Safety of Information Technology Equipment.

TESTED AND CERTIFIED: All weight capacity specifications tested and certified to a minimum of a 5X safety factor by Tektronix, Inc. an independent testing laboratory.

ETL approved and recognized for use in the State of California. Division of State Architect (DSA) suspension approvals must be sought by contractor prior to certain installations.



205 Westwood Ave, Long Branch, NJ 07740
 Phone: 866-94 BOARDS (26273) / (732)-222-1511
 Fax: (732)-222-7088 | E-mail: sales@touchboards.com



Specifications are subject to change without notice.