

DV-HDSS-41-Tx

Digital Video 4 x 1 Scaling Switcher with HDBaseT & HDMI outputs

FSR

Video Products Group

HDBaseT™

HDMI®
HIGH DEFINITION MULTIMEDIA INTERFACE

DV-HDSS-41-Tx



DESCRIPTION

The DV-HDSS-41-Tx Digital Video 4 x 1 Scaling Switcher is a compact all-in-one solution for small collaboration and huddle areas where external control systems may not be required. Designed as an economical solution it can be used with FSR's line of HDBaseT 100 Meter Receivers and HuddleVU collaboration furniture.

DV-HDSS-41-Tx is a multi-format switcher that has four inputs; 2 HDMI, 1 DisplayPort, and 1 VGA (HD-15) with stereo audio (1/8"). This unit has 2 outputs, 1 local HDMI Scaled output and 1 HDBaseT™, along with a balanced line level audio out. Powered locally it can remotely power any of our 100 meter HDBaseT™ receivers via the CAT-6A shielded cable.

The DV-HDSS-41-Tx can be controlled via front panel push-buttons, contact closure, RS-232, or Auto-switching when any input is connected or disconnected. The built-in CEC control can automatically turn the display on or off when it auto-detects the input signal. It also provides LED Feedback and connections for contact closures so it will work with FSR's table boxes with buttons & LED's.

COLLABORATION SOLUTIONS

The DV-HDSS-41-Tx can be easily integrated with FSR's line of HuddleVU collaboration systems and furniture solutions. It can also be easily controlled via our FLEX Control Systems.



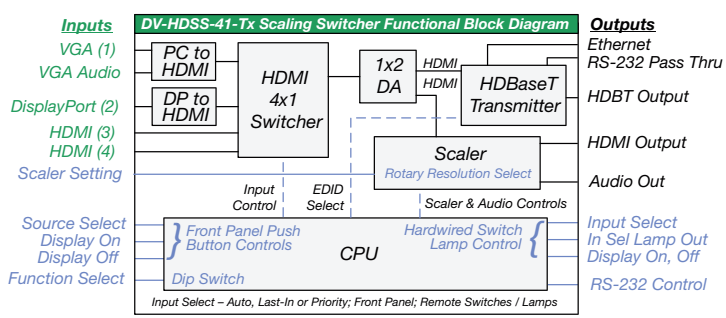
APPLICATIONS

- Boardrooms
- Classrooms
- Collaboration Systems such as HuddleVU
- Command and Control Centers
- PoP / PoS Kiosks
- Digital Signage

FEATURES

- 4 x 1 Switcher with HDMI and HDBaseT™ Output
- HDMI 1.4 Input Supports up to 4K UHD / 2160p (3840 x 2160) @ 60Hz. (4:2:0 8-bit) resolutions
- HDCP 1.4 Compliant
- VGA (HD-15) Input Supports up to 1920 x 1200 @ 60Hz
- Analog Stereo Audio Input Coupled and Embedded with the Analog Video on HDMI
- HDBaseT 5-Play: HD Video, Audio, Control (RS-232), 100Base-T Ethernet, PoH (Power Over HDBaseT™) Transmitter
- HDBaseT Output up to 100m via CAT-6A shielded cable to a compatible FSR HDBaseT™ 100m Receivers
- Display control via CEC on both the HDMI Output and HDBaseT™ Outputs
- Switcher controlled via RS-232, Front Panel, Contact Closure (with +12v LED's), or Autosense (Priority or Last In/LIFO)

FUNCTIONAL DIAGRAM



FSR Inc.

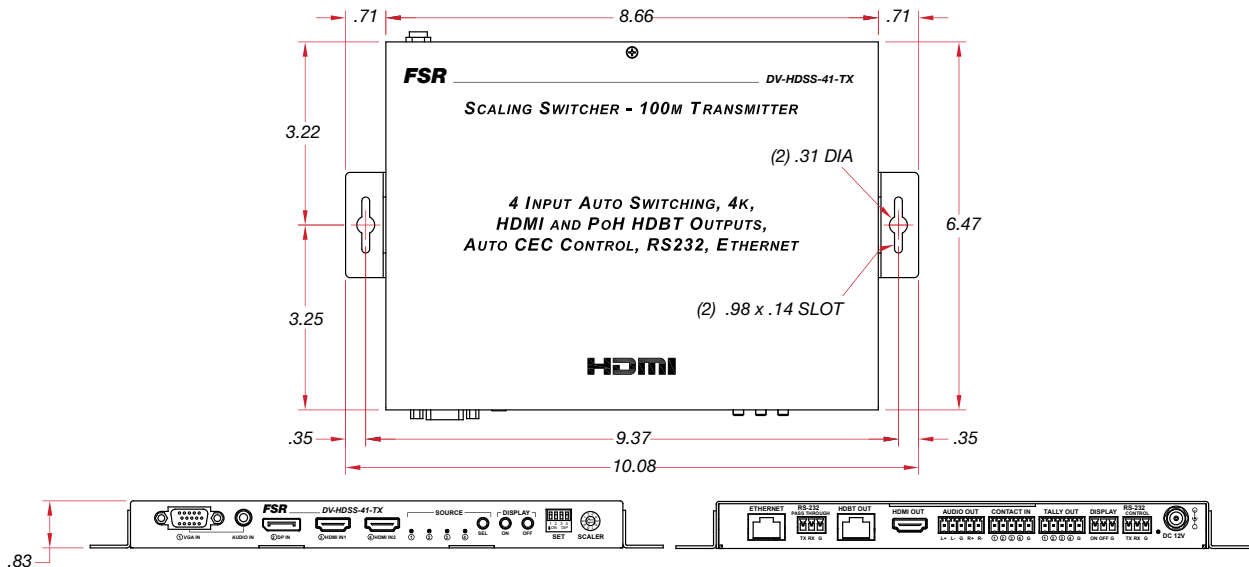
244 Bergen Boulevard, Woodland Park, NJ 07424
Phone: 973.785.4347 · Fax: 973.785.4207
Order Desk: 1-800-332-FSR1
Web: www.fsrinc.com · E-mail: sales@fsrinc.com

SPECIFICATIONS

DV-HDSS-41-TX

Supported Formats	
HDMI Resolutions (max.)	SMPTE: 720 x 480P (59.94Hz / 60Hz), 720 x 576P (50Hz), 1280 x 720P (50Hz / 59.94Hz / 60Hz), 1920 x 1080P (50Hz / 59.94 Hz /60Hz), 3840 x 2160P (24Hz / 25Hz / 30Hz / 50Hz)
VGA Resolutions	VESA: 800 x 600, 1024 x 768, 1280 x 768, 1280 x 800, 1280 x 960, 1280 x 1024, 1360 x 768, 1366 x 768, 1440 x 900, 1600 x 900, 1600 x 1200, 1680 x 1050, 1920 x 1200 (all @60Hz)
Maximum Data Rate	10.2 Gbps
Output Resolutions (max.)	Supports up to 4K UHD / 2160p (3840 x 2160) @ 30Hz (4:2:0 8-bit)
Connectors	
Video Input	2 x HDMI (1.4) Type A 19-pin, female, 1 x DisplayPort (1.2) 1 x HD-15, female
Audio Input	1 x 3.5mm Mini Stereo Jack (embedded with VGA Input)
HDMI Output	1 x HDMI (1.4) Type A 19-pin, female
HDBaseT Output	1 x RJ-45 (Shielded) HDBaseT 1.4
Audio Output	1 x 5-pin captive screw terminal
Audio Formats	HDMI Out: PCM 2.0 and Dolby 5.1, HDBaseT Out: Multi-channel digital audio supports up to 7.1 DTS Master HD & Dolby True HD, Audio Out: Balanced Stereo Audio Left/Right PCM 2.0
Ethernet	1 x RJ-45 (Shielded) 100Base-T Ethernet
RS-232	(2) 1 x 3-pin captive screw terminal (Tx/Rx/Ground) (Control and Pass Through)
Contact Closure In	1 x 5-pin captive screw terminal (4 Inputs & Ground)
Tally Out (Lamp/LED)	1 x 5-pin captive screw terminal (4 Inputs & Ground)
Display	1 x 3-pin captive screw terminal (On/Off/Ground)
Power Input	12VDC locking screw terminal
General	
Power Supply	DC 12V 3A (Must be powered locally), 22w max. consumption
Operating Temperature	32°F to 113°F (0°C to 45°C)
Storage Temperature	-4°F to 158°F (-20°C to 70°C)
Dimensions (W x D x H)	8.66" W (220 mm) x 6.46"D (164.4 mm) x 0.83"H (21 mm)
Unit Weight	1.80 lbs. (0.82 kg)
HDBaseT Cable Distances & Resolutions:	
CAT-5e / CAT-6:	100 Meters: 1080p @60 Hz (36 BPP [bits per pixel]) 70 Meters: 1080p @60 Hz (48 BPP [bits per pixel]), 3D, 4K UHD / 2160p 3840 x 2160 @ 30Hz. (4:2:0 8-bit)
CAT-6A / CAT-7 (Shielded):	100 Meters: 1080p @60 Hz (48 BPP [bits per pixel]), 3D, 4K UHD / 2160p (3840 x 2160) @ 30Hz. (4:2:0 8-bit)

For best resolution and ESD performance Shielded CAT-6A cable is recommended.



Specifications are subject to change without notice.

HDBaseT™ and the HDBaseT Alliance logo are trademarks of the HDBaseT Alliance.

FSR Inc.

244 Bergen Boulevard, Woodland Park, NJ 07424

Phone: 973.785.4347 · Fax: 973.785.4207

Web: www.fsrinc.com · E-mail: sales@fsrinc.com

LIT1629C