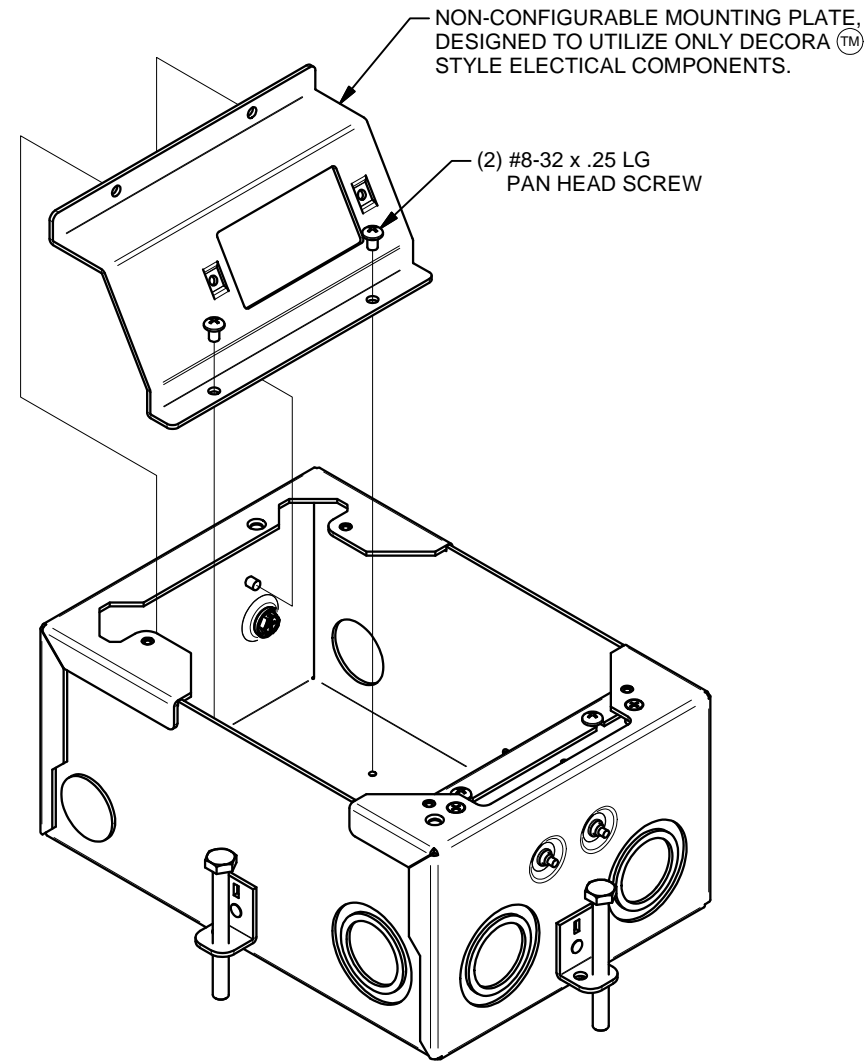
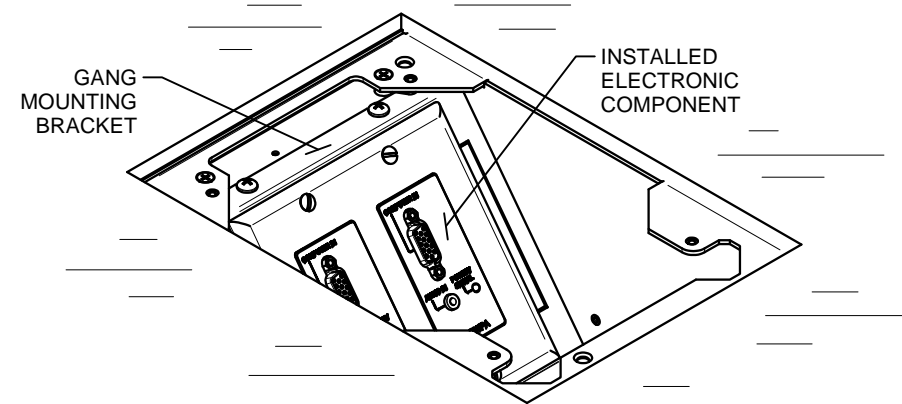


NON-CONFIGURABLE MOUNTING PLATE



INSTALLING ELECTRONIC COMPONENTS

PULL WIRES AND CABLES TO BOX AS NECESSARY (REMOVAL OF GANG MOUNTING BRACKETS MAY BE REQUIRED). TERMINATE WIRES AND CABLES TO ELECTRONIC COMPONENTS, AND INSTALL ELECTRONIC COMPONENTS ONTO GANG MOUNTING BRACKETS. REINSTALL TEMPORARY COVER IF FINISHED COVER IS TO BE INSTALLED AT A LATER DATE.

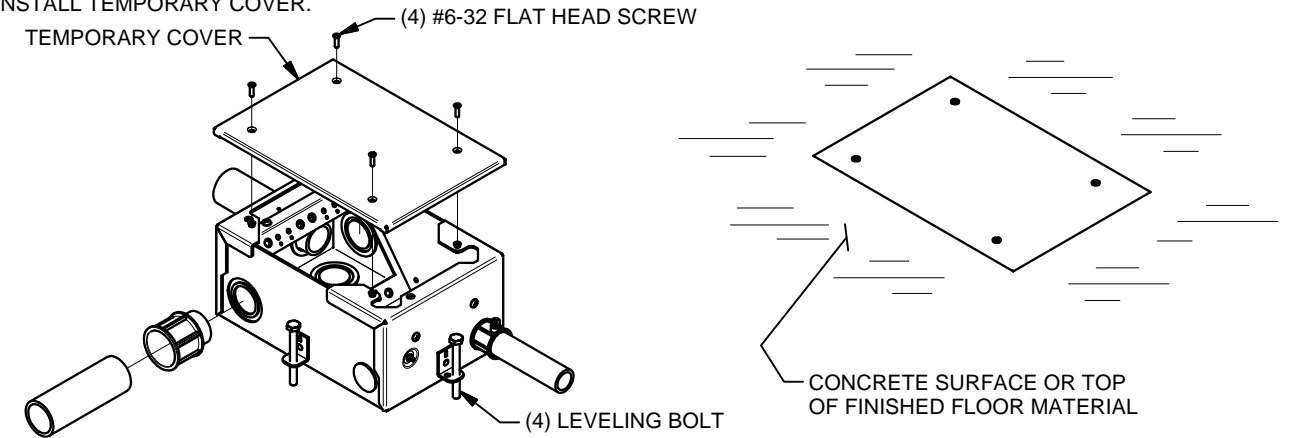


FSR FL-200 INSTALLATION INSTRUCTIONS

244 Bergen Boulevard, Woodland Park, NJ 07424, Phone: 973.785.4347 - Fax: 973.785.4207

BOX INSTALLATION - STEP 1

LOCATE AND POSITION BOX IN ACCORDANCE WITH FLOOR PLANS. TOP SURFACE OF TEMPORARY COVER MUST BE SET TO MATCH THE HEIGHT OF THE FINISHED FLOOR - ie STONE, WOOD OR CONCRETE - SEE TYPICAL INSTALLATION HEIGHTS. LEVEL AND ANCHOR BOX AS REQUIRED. USE SCREWS, NAILS, OR WIRE TO PREVENT BOX FROM FLOATING DURING POUR. REMOVE AND RETAIN TEMPORARY COVER AND SCREWS. ROUTE CONDUITS TO BOX AS REQUIRED. **GANG BRACKET SCREWS MUST BE IN PLACE AND BOTTOMED TO ENSURE SCREW VOIDS AFTER POUR.** PLACE THIS INSTALLATION GUIDE BACK INTO BOX, ALONG WITH ALL SUPPLIED ITEMS, AND REINSTALL TEMPORARY COVER.



BOX INSTALLATION - STEP 2

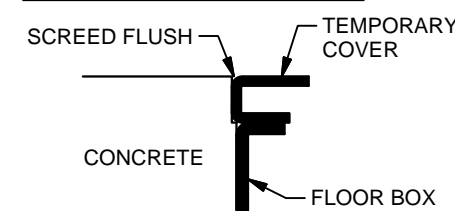
SCREED TO TOP OF BOX SURFACE FOR 3/16" THICK CARPET/FLOORING OR SPECIFIC HEIGHT TO ALLOW FOR THICKER FINISHED FLOOR MATERIAL. HAND TROWELING RECOMMENDED NEAR BOX EDGES. BOX HAS NO HEIGHT ADJUSTMENT AFTER CONCRETE POUR.

TYPICAL INSTALLATION HEIGHTS

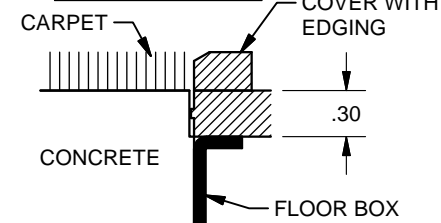
FLOOR BOX TEMPORARY COVER WILL EITHER BE INSTALLED DIRECTLY ON THE BOX OR SHIMMED BASED ON THE COVER AND FLOORING SPECIFICATIONS. SHIM KITS SOLD SEPARATELY (FL-200-CSK). THE TEMPORARY COVER MAY NOT BE FLUSH WITH THE FINISH FLOOR IN ALL INSTALLATIONS.

Carpeted or Tile Floors, Cover types - BLP, BSQ, B, SLP, SSQ, S

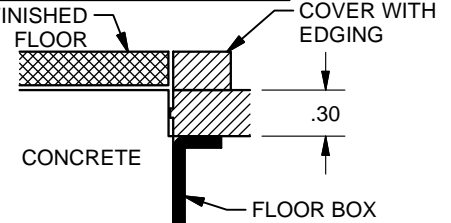
COVER FLUSH WITH CONCRETE



CARPET FLOORING

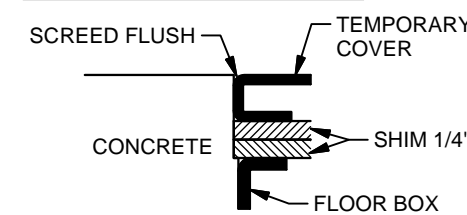


TILE OR LAMINATE FLOORING

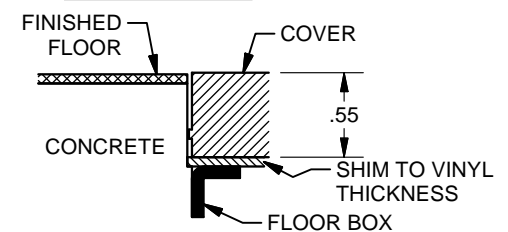


Vinyl or Stained Concrete, Cover types - SLD-ALUM, SLD-Color

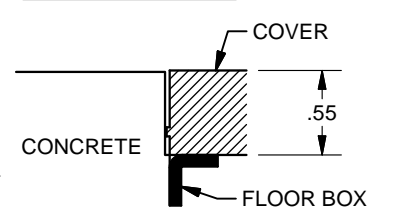
COVER FLUSH WITH CONCRETE



VINYL FLOORING

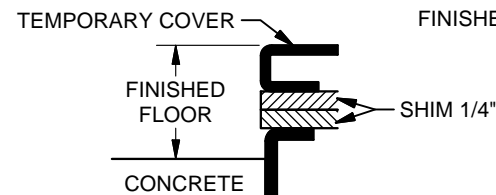


STAINED FLOORING

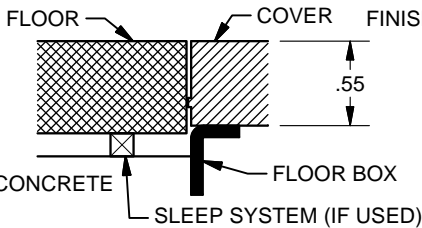


Wood / Floating Wood, Cover types - BLP, BSQ, B, SLP, SSQ, S, SLD-ALUM, SLD-Color

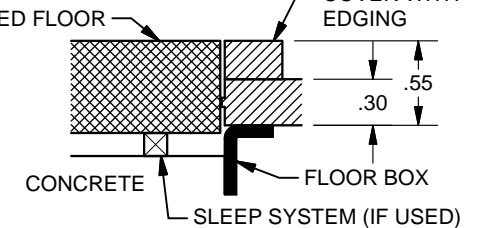
COVER ABOVE CONCRETE



WOOD FLOORING

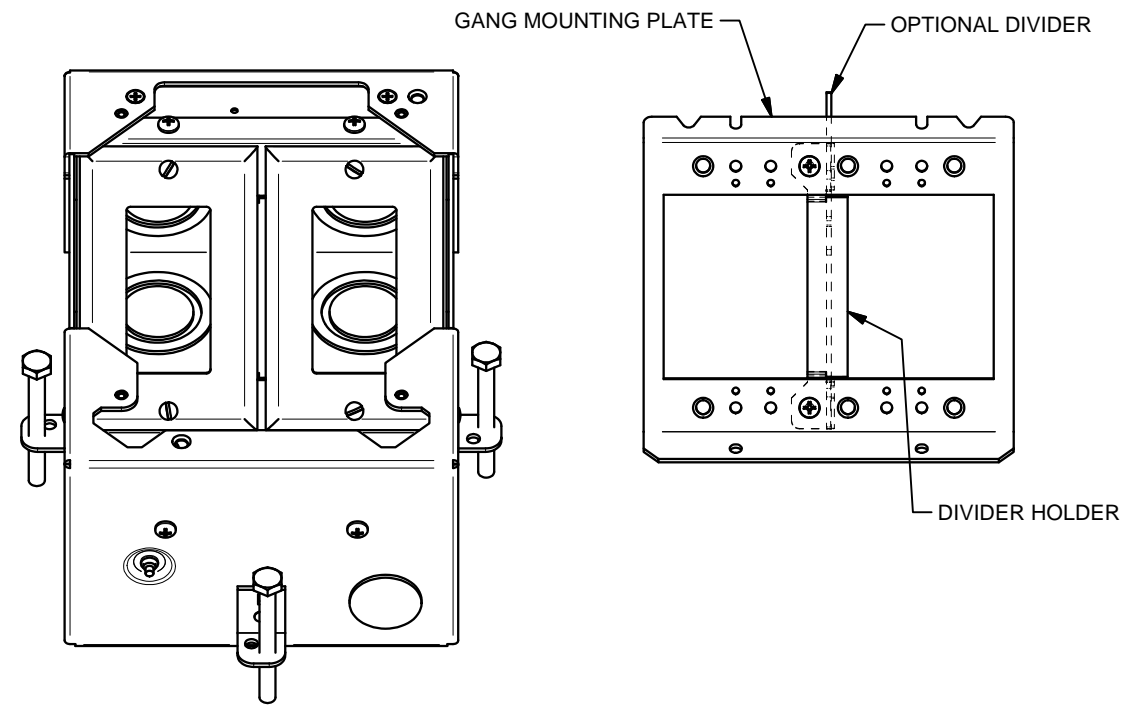


WOOD FLOORING

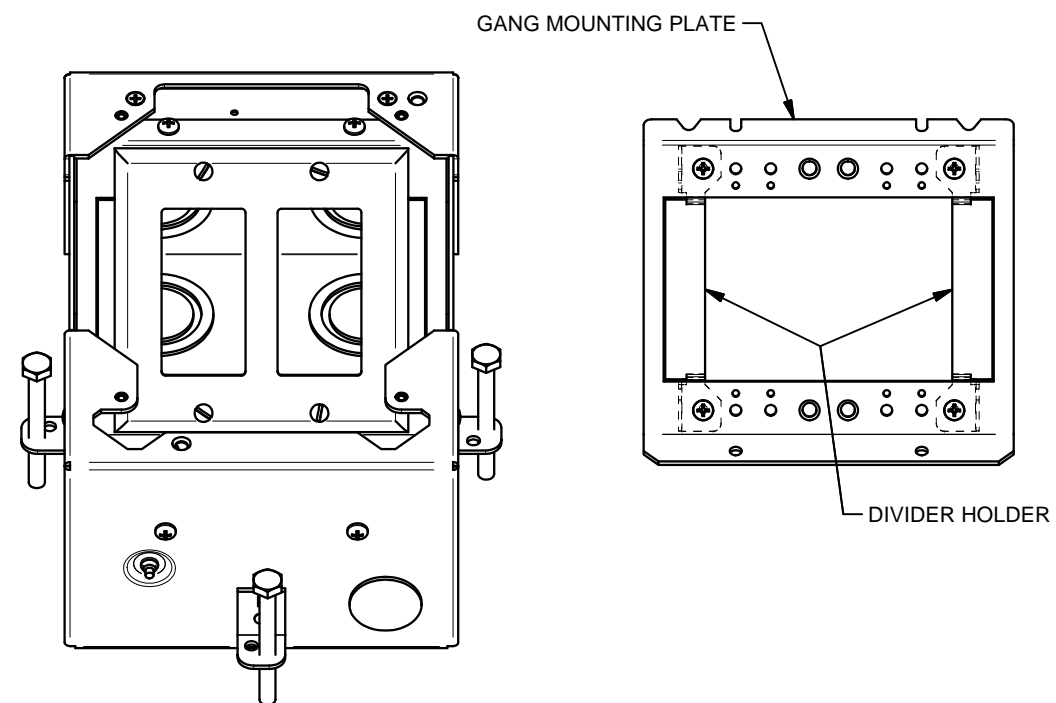


GANG MOUNTING BRACKET CONFIGURATION

PER CUSTOMER SPECIFICATIONS, CONFIGURE GANG MOUNTING BRACKETS AS SHOWN BELOW AND REASSEMBLE INTO BOX (DECORA™ WALL PLATES SHOWN AS REFERENCE AND ARE NOT INCLUDED).

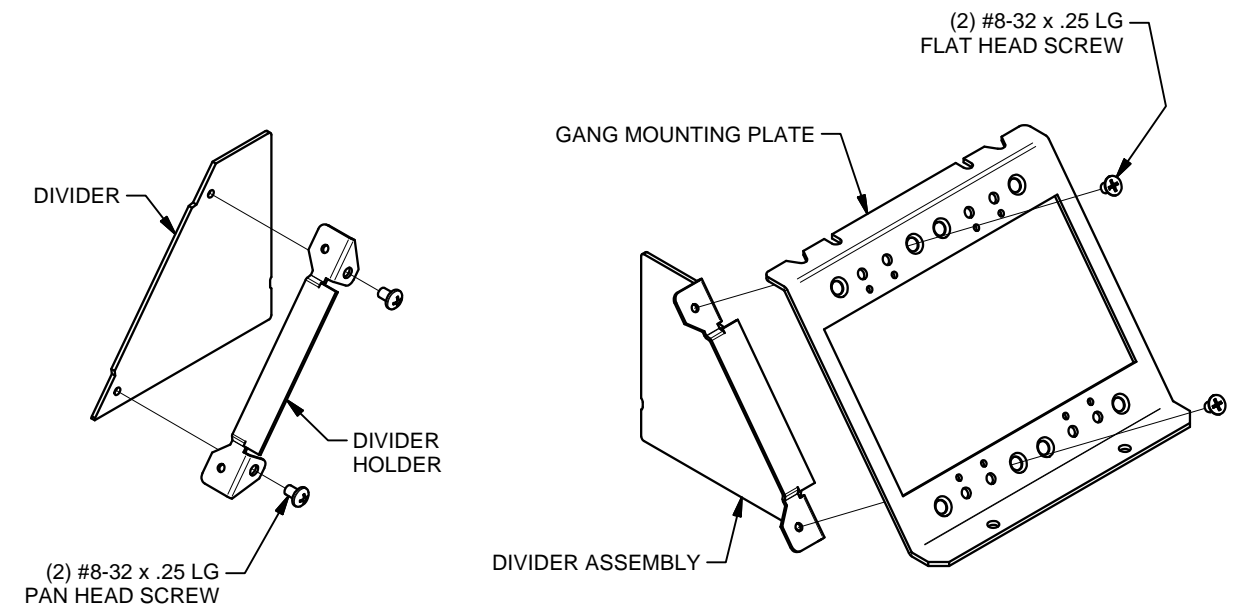


1-GANG / 1-GANG CONFIGURATION



2-GANG CONFIGURATION

GANG DIVIDER ASSEMBLY



(4) #8-32 x .25 LG
PAN HEAD SCREW

GANG PLATE ASSEMBLY

