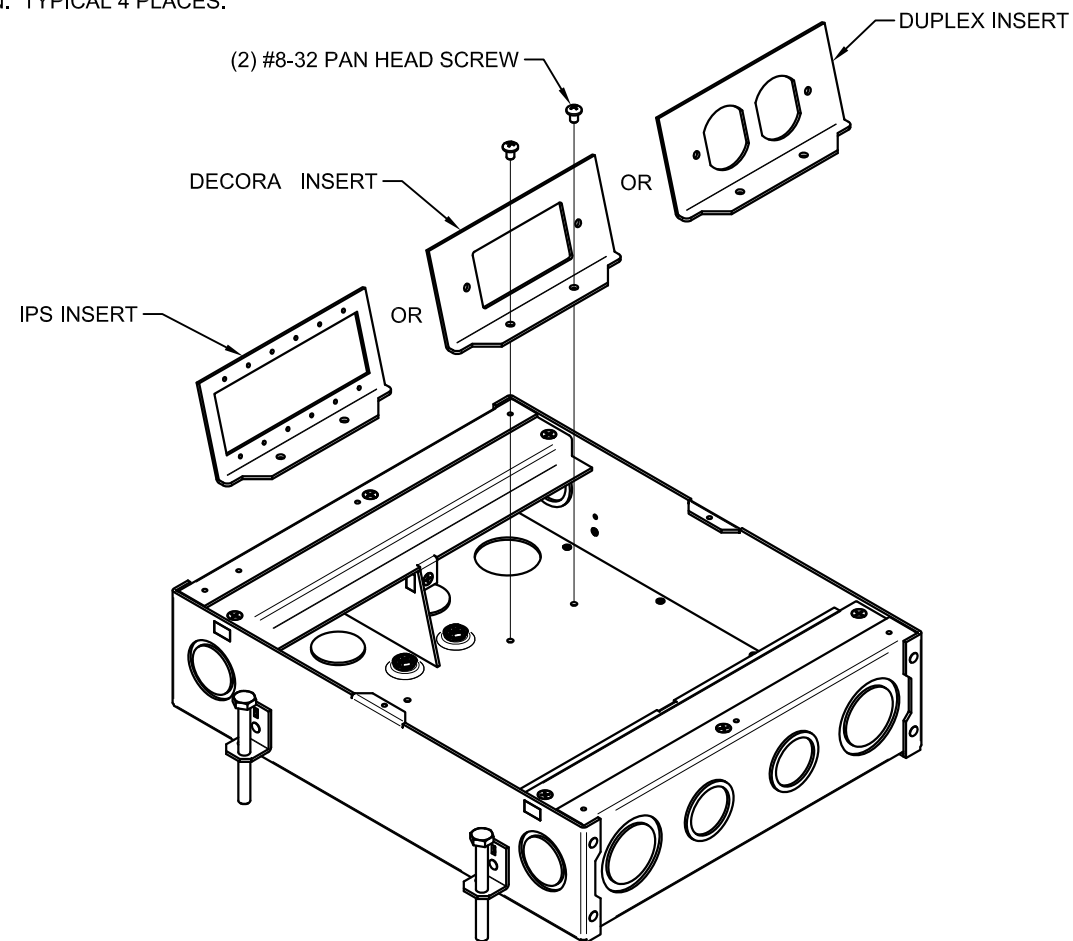


INSERT INSTALLATION

PER CUSTOMER SPECIFICATIONS, INSTALL SUPPLIED INSERT(S) AS SHOWN. TYPICAL 4 PLACES.



FSR FL-500-3-B INSTALLATION INSTRUCTIONS

244 Bergen Boulevard, Woodland Park, NJ 07424, Phone: 973.785.4347 - Fax: 973.785.4207

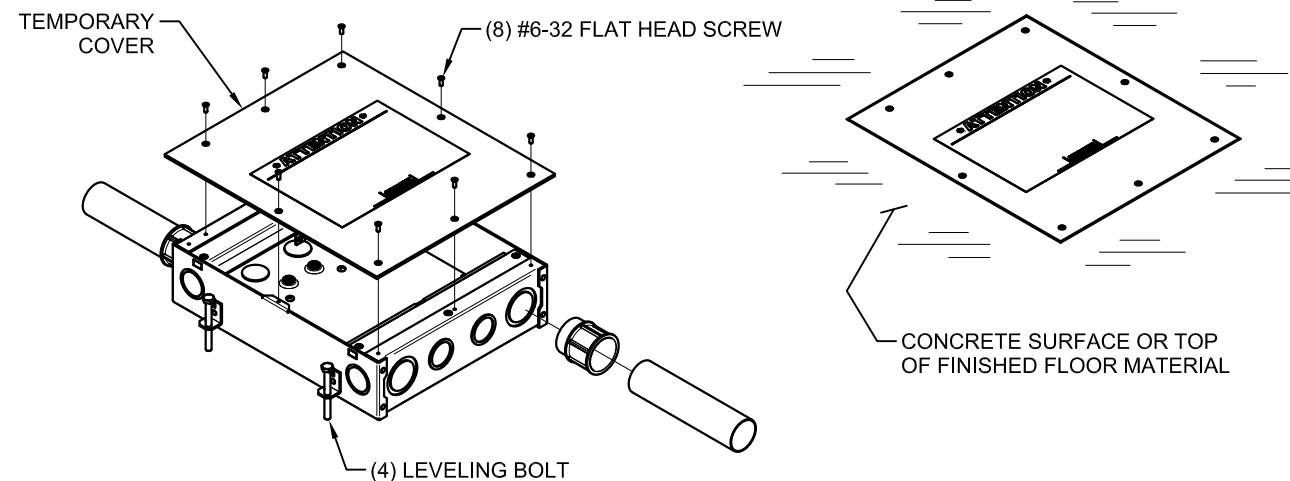


BOX INSTALLATION - STEP 1

LOCATE AND POSITION BOX IN ACCORDANCE WITH FLOOR PLANS. TOP SURFACE OF TEMPORARY COVER MUST BE SET TO MATCH THE HEIGHT OF THE FINISHED FLOOR - ie STONE, WOOD OR CONCRETE - SEE TYPICAL INSTALLATION HEIGHTS. LEVEL AND ANCHOR BOX AS REQUIRED. USE SCREWS, NAILS, OR WIRE TO PREVENT BOX FROM FLOATING DURING POUR. REMOVE AND RETAIN TEMPORARY COVER AND SCREWS. ROUTE CONDUITS TO BOX AS REQUIRED - SEE 'WIRING COVER DETAIL' FOR CONDUIT END FITTING ACCESS. **INSERT SCREWS AND GROUNDING SCREWS MUST BE IN PLACE AND BOTTOMED TO ENSURE SCREW VOIDS AFTER POUR.** PLACE THIS INSTALLATION GUIDE BACK INTO BOX, ALONG WITH ALL SUPPLIED ITEMS, AND REINSTALL TEMPORARY COVER.

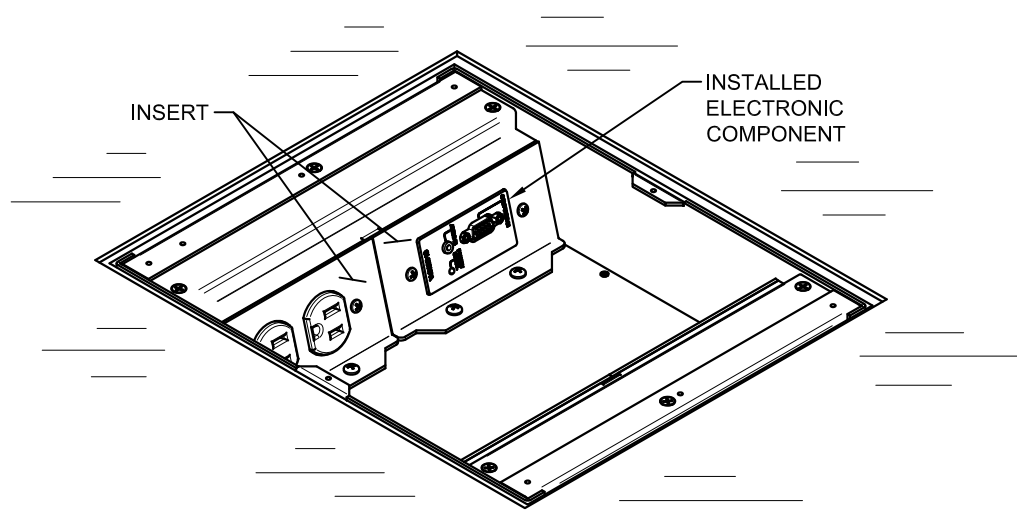
BOX INSTALLATION - STEP 2

SCREED TO TOP OF BOX SURFACE FOR 3/16" THICK CARPET/FLOORING OR SPECIFIC HEIGHT TO ALLOW FOR THICKER FINISHED FLOOR MATERIAL. HAND-TROWELING IS RECOMMENDED NEAR BOX EDGES. BOX HAS NO HEIGHT ADJUSTMENT AFTER CONCRETE POUR.



INSTALLING ELECTRONIC COMPONENTS

PULL WIRES AND CABLES TO BOX AS NECESSARY (REMOVAL OF INSERTS MAY BE REQUIRED). TERMINATE WIRES AND CABLES TO ELECTRONIC COMPONENTS, AND INSTALL ELECTRONIC COMPONENTS ONTO INSERTS. REINSTALL TEMPORARY COVER IF FINISHED COVER IS TO BE INSTALLED AT A LATER DATE.

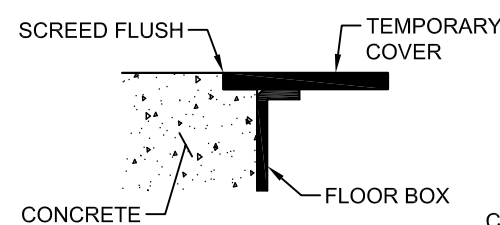


TYPICAL INSTALLATION HEIGHTS

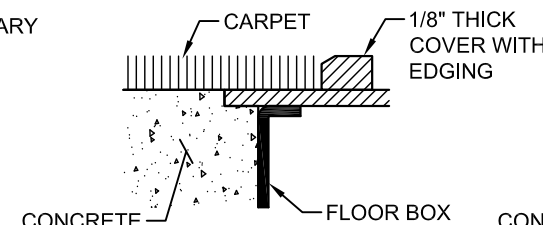
FLOOR BOX TEMPORARY COVER WILL EITHER BE INSTALLED DIRECTLY ON THE BOX OR SHIMMED BASED ON THE COVER AND FLOORING SPECIFICATIONS. SHIM KITS SOLD SEPARATELY (FL-500P-CSK). THE TEMPORARY COVER MAY NOT BE FLUSH WITH THE FINISH FLOOR IN ALL INSTALLATIONS.

Carpeted or Tile Floors, Cover types - BLP, BSQ, B, SLP, SSQ, S

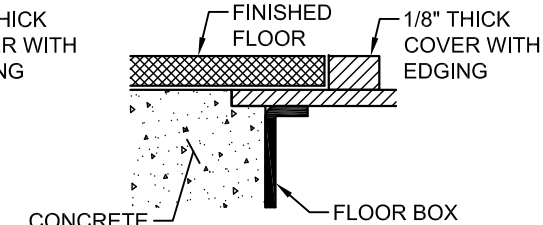
COVER FLUSH WITH CONCRETE (FOR 1/8" THICK COVER)



CARPET FLOORING

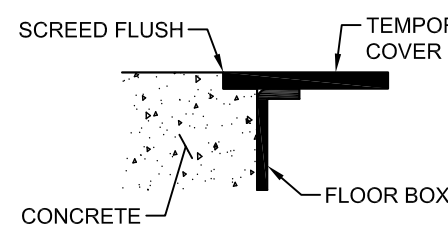


TILE OR LAMINATE FLOORING

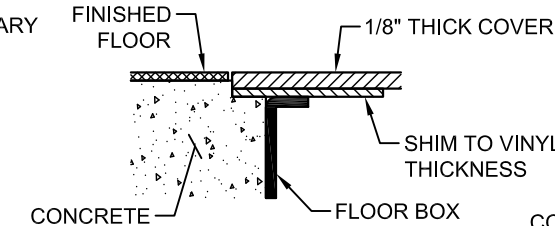


Vinyl or Stained Concrete, Cover types - BK, SS, BRS

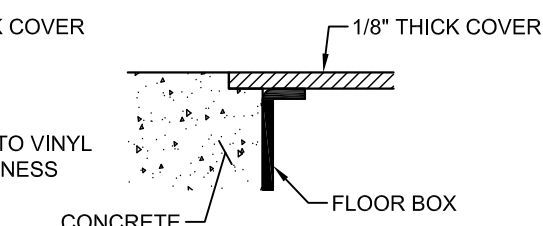
COVER FLUSH WITH CONCRETE (FOR 1/8" THICK COVER)



VINYL FLOORING

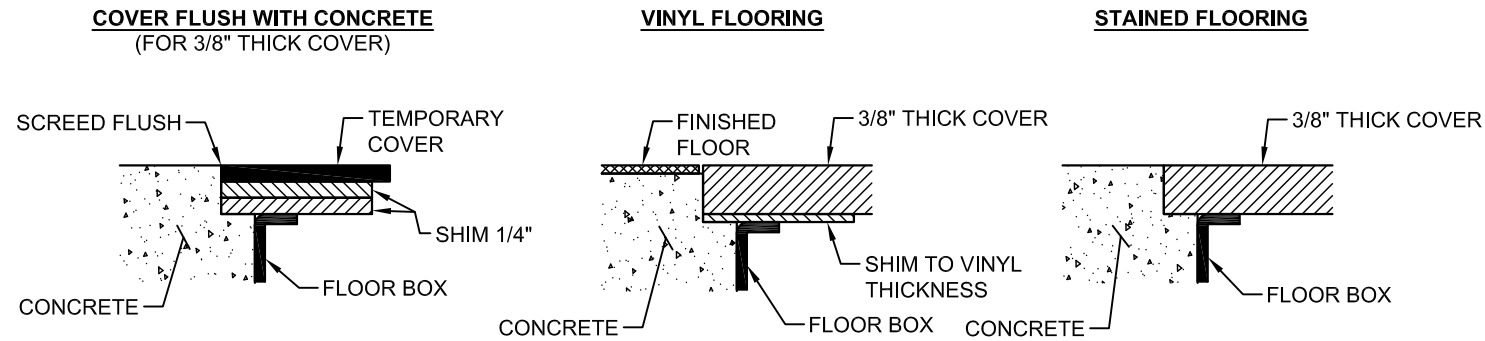


STAINED FLOORING

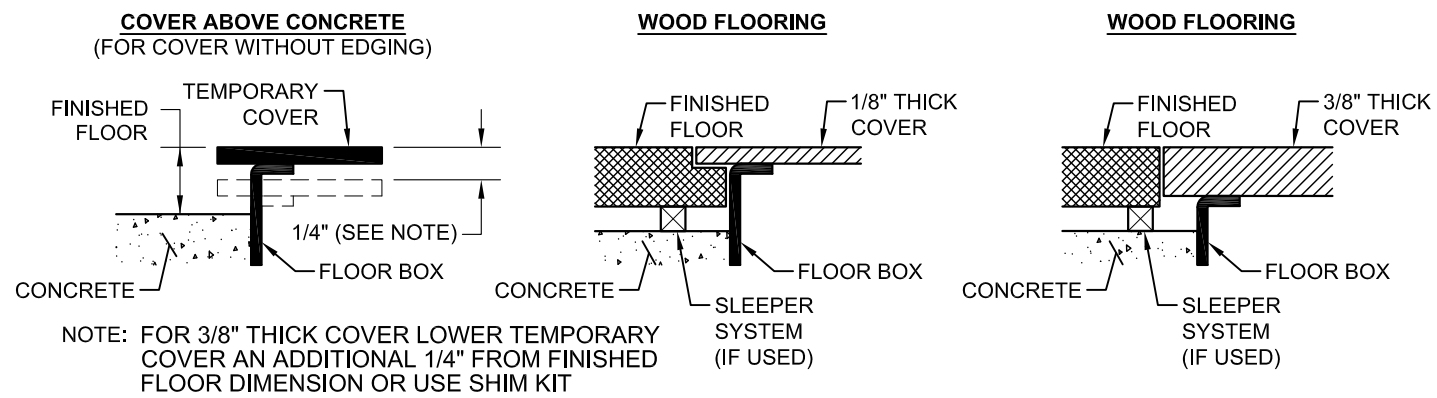


TYPICAL INSTALLATION HEIGHTS FLOOR BOX TEMPORARY COVER WILL EITHER BE INSTALLED DIRECTLY ON THE BOX OR SHIMMED BASED ON THE COVER AND FLOORING SPECIFICATIONS. SHIM KITS SOLD SEPARATELY (FL-500P-CSK). THE TEMPORARY COVER MAY NOT BE FLUSH WITH THE FINISH FLOOR IN ALL INSTALLATIONS.

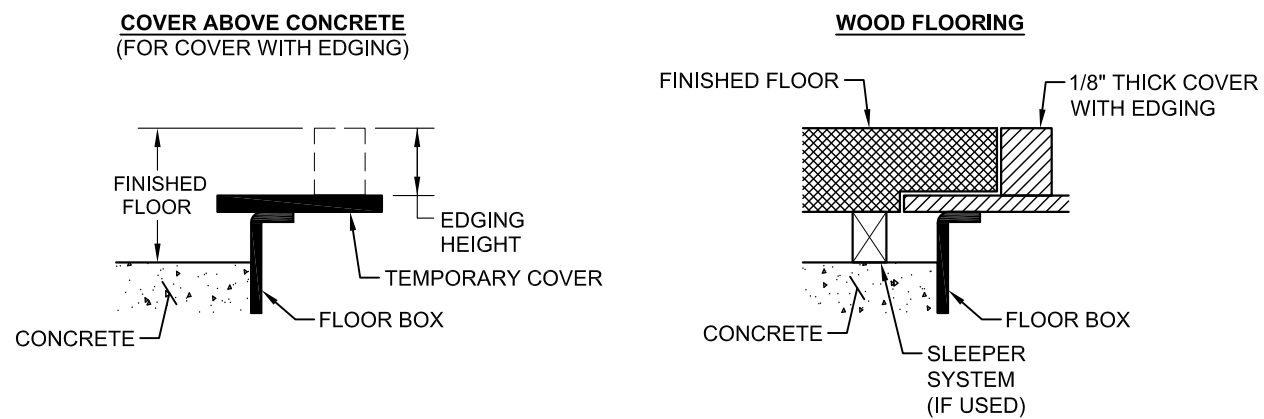
Vinyl or Stained Concrete, Cover types - SLD-ALM, SLD-Color



Wood / Floating Wood, Cover type - BK, SS, BRS (1/8\"/>

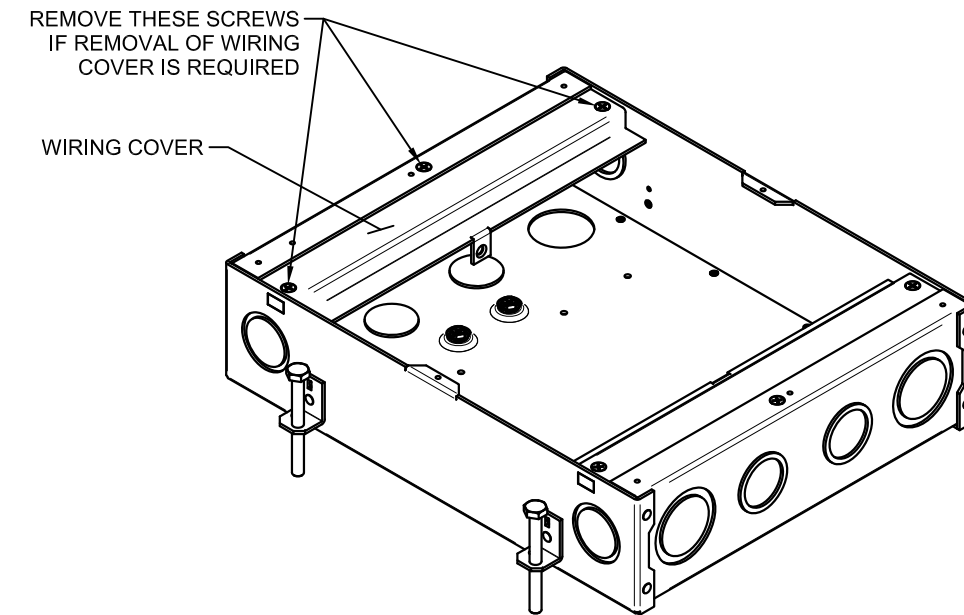


Wood / Floating Wood, Cover type - BLP, BSQ, B, SLP, SSQ, S



WIRING COVER DETAIL

WIRING COVER MAY BE REMOVED FOR EASIER ACCESS TO KNOCKOUTS FOR CONDUIT END FITTINGS.



DIVIDER INSTALLATION

PER CUSTOMER SPECIFICATIONS (IF REQUIRED), INSTALL DIVIDER.

