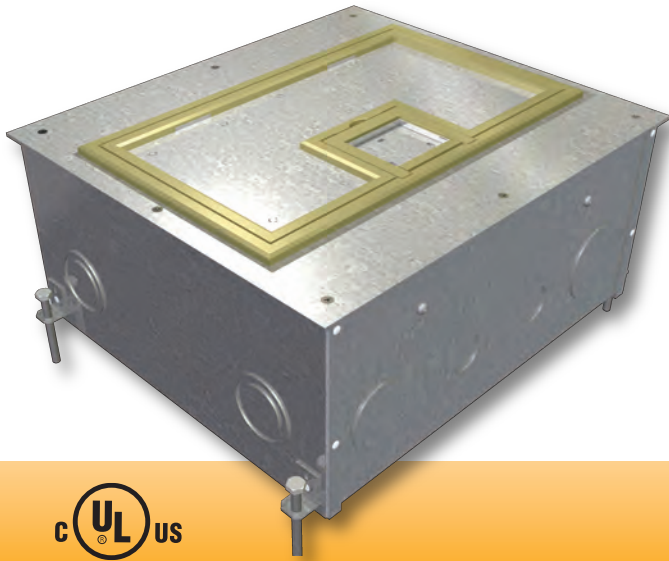


FL-600P Floor Box

FSR

Metal Products Group

FL-600P Floor Box



“TOOL-LESS” U-ACCESS COVER DESIGN

The cable access door can be easily removed by lifting the integrated U-Access handle to quickly access the interior compartment, connectors, and cables.

- 11-gauge steel temporary construction cover included
- 11-gauge finished steel cover with choice of carpet edging
- Mitered brass or aluminum carpet edging .5” or .25” high
- Stainless steel compression latches
- Lift-off full access door

Scrub water approved for carpet, tile, and wood floors!

DESCRIPTION

Our FL-600P Floor Boxes combine rugged construction and an elegant design for use in carpet, tile, or wood covered floors over poured concrete applications. This makes it the perfect floor box for ballrooms, meeting rooms, public spaces, and high traffic areas. There is ample compartment room to accommodate power, audio, video, telecommunications, and data in one elegant and practical box.

There are a variety of covers to choose from. Options include integrated carpet edging, flat covers for non-carpeted, bare floor applications, and different finishes. The lift-off section of the cover allows full access to internal connector plates and stored cables. The hinged cable exit door flips back to allow the cover to remain in place after connections are made and cables are routed through it. The 0.25” and 0.50” raised edge style covers are UL scrub water approved.

The innovation continues to the “transformable” box bottom. The FL-600P’s internal brackets can be arranged to provide numerous options for both high and low voltage standard gang openings making it the most flexible and easiest to install floor box available. Removable center dividers make passing cables through the various compartments a snap. Integral “Easy Pour” leveling feet are standard on all of the box bottoms. Several box depths are available and are UL listed.

The unit includes all of the necessary internal plates and brackets to make “pre” and “post” pour compartment changes quick and easy. Using this system, both high and low voltage gang configurations, along with compartment isolation, can be implemented “on the fly”. This makes just about any cabling/connector scenario possible.

SPECIFICATIONS

Size:	Box:	13.5” x 12” x depth
	Cover:	14” x 12.5” x .125”
Flanging:	Height:	.25” or .5”
	Material:	Brass or Aluminum Flat and Solid Covers also available
Max Load		
Capacities:	FL-600P U-Access Cover with 1/4” Trim:	1,200 lbs.
	FL-600P U-Access Cover with 1/2” Trim:	1,500 lbs.
	FL-600P solid U-Access Cover:	2,600 lbs

FIRE-RESISTANT FLOOR BOXES

FSR also offers a line of larger Fire-Resistant floor boxes.



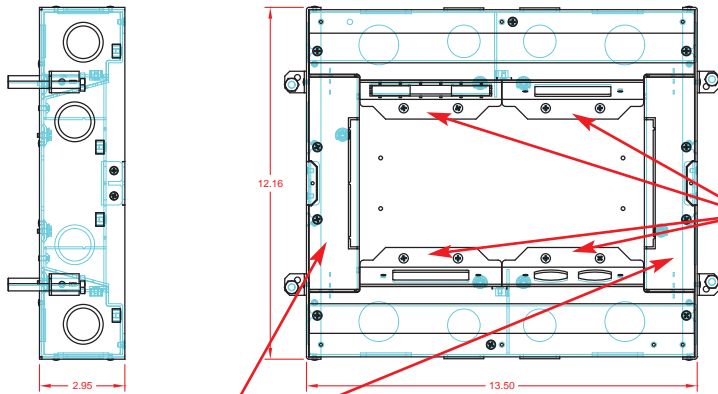
Our FL-500P-6-FRK and FL-605P-6-FRK floor solutions expand the versatility of our floor box line by providing enhanced, fire-resistant versions of our existing products. Our FRK kits are UL listed and comply with UL 263 Fire Resistance Ratings.

See Lit 1458 FR Brochure for details.

LIT1058N

BOX BOTTOM DETAIL DRAWINGS

FL-600P-3-B



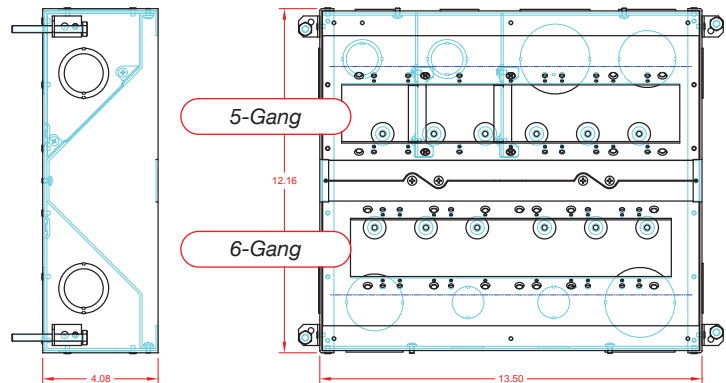
FL-600P-3 Box Knockout Specifications

KO trade size	Qty/Box
3/4"	4
3/4" / 1.00"	10
1.00	4
1.00 / 1-1/4"	4

MAIN compartment areas include two duplex, two Decora and one 6-IPS brackets.
Additional brackets are available as an option. (See ordering table)

"Pass-through" **END** compartment areas include brackets with integral blank plates.
Additional brackets are available as an option. (See ordering table)

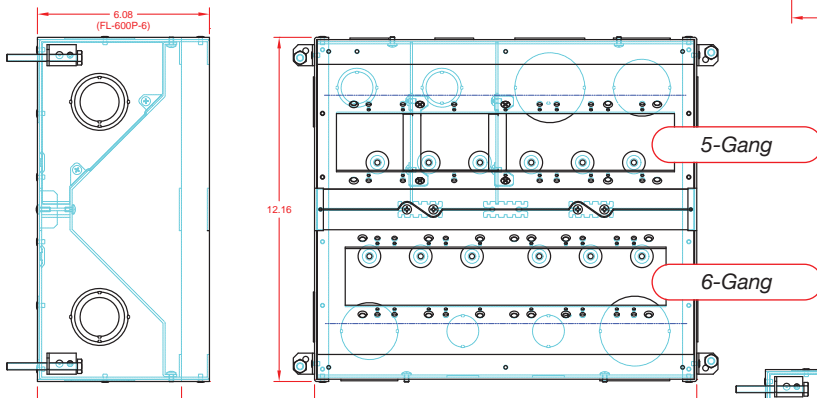
FL-600P-4-B



FL-600P-4 Box Knockout Specifications

3/4"	4
3/4" / 1.00"	4
1.00" / 1-1/4"	4
1-1/2"	4
2.00"	4

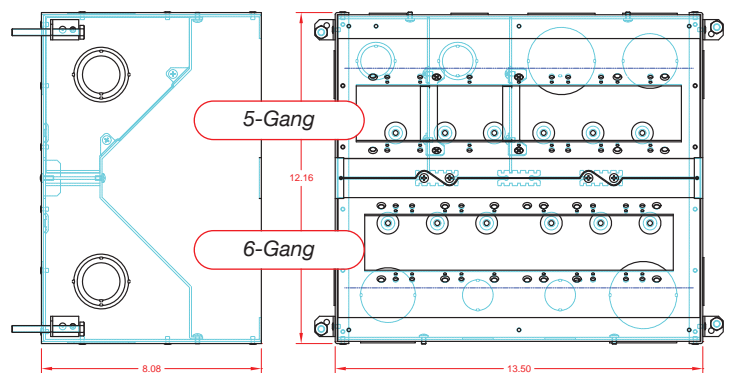
FL-600P-5-B & 6-B 5" & 6" Deep



FL-600P-5 & -6 Knockout Specifications

3/4"	4
3/4" / 1.00"	4
1.00" / 1-1/4" / 1-1/2"	4
1-1/2"	4
2.00"	4

FL-600P-8-B



FL-600P-8 & -10 Knockout Specifications

3/4"	4
3/4" / 1.00"	4
1.00" / 1-1/4" / 1-1/2"	4
1-1/2"	4
2.00"	4

FL-600P-10-B

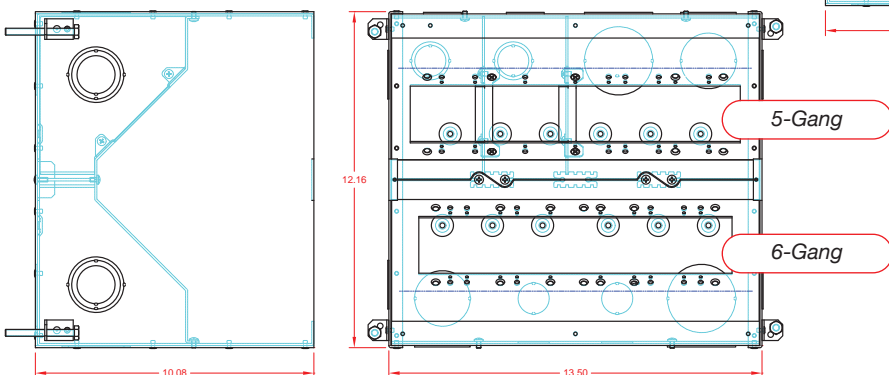


PLATE CONFIGURATIONS

All boxes can be configured as shown, using the included parts.

5-gang side shown (4" through 10" boxes)

Plate Configuration 1-1-2

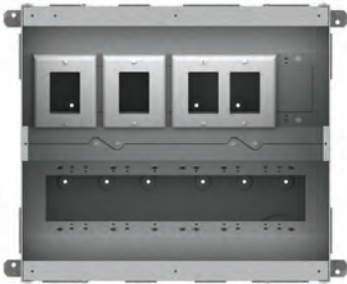


Plate Configuration 1-1-3

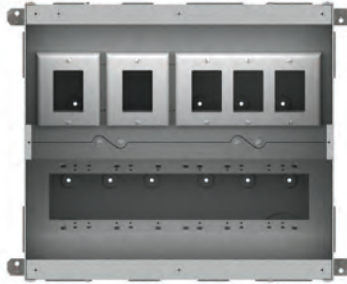


Plate Configuration 1-3-1

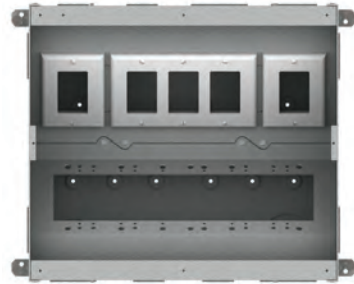


Plate Configuration 1-4



Plate Configuration 2-2



Plate Configuration 2-3

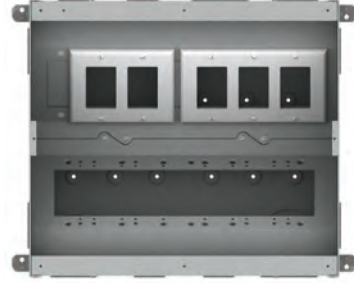


Plate Configuration 4-1

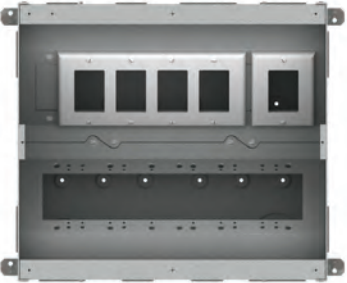
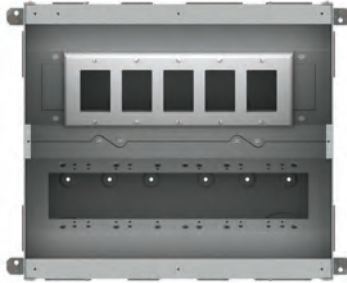


Plate Configuration 5-0



**Decora plate shown for reference only.*

6-gang side shown (4" through 10" boxes)

Plate Configuration 1-3 (a)

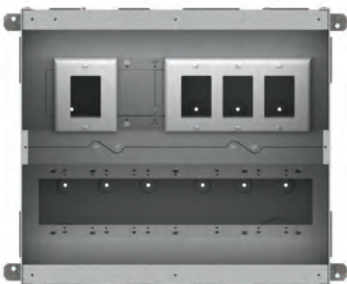


Plate Configuration 1-3 (b)

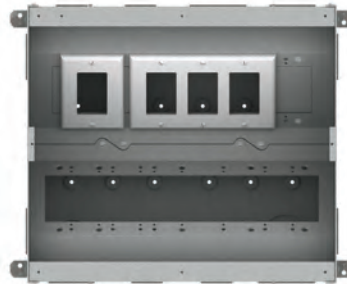


Plate Configuration 1-4

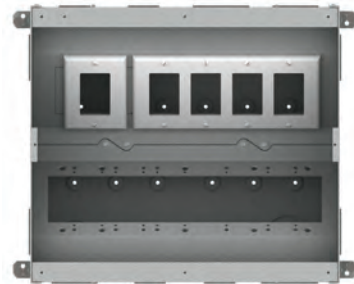


PLATE CONFIGURATIONS

6-gang side shown (4" through 10" boxes) continued

Plate Configuration 2-2 (a)

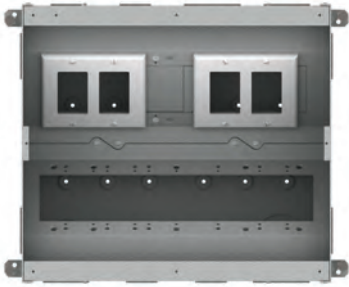


Plate Configuration 2-2 (b)

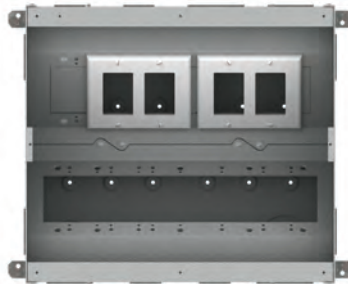


Plate Configuration 2-3

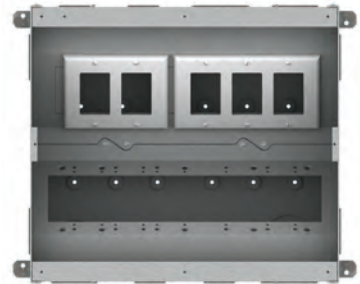


Plate Configuration 3-1

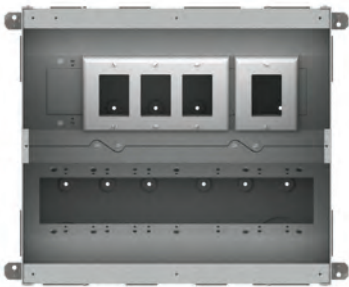


Plate Configuration 3-2

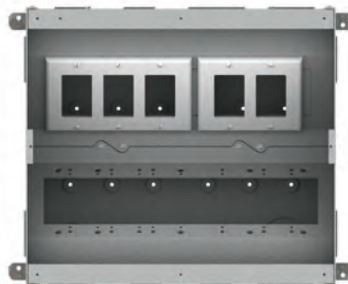


Plate Configuration 4-1

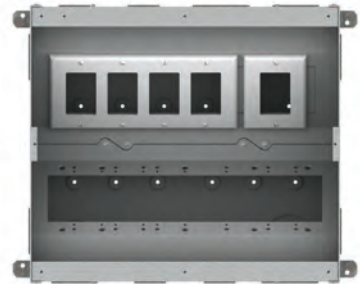
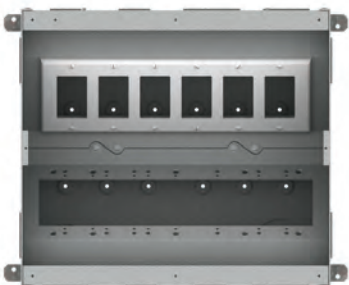
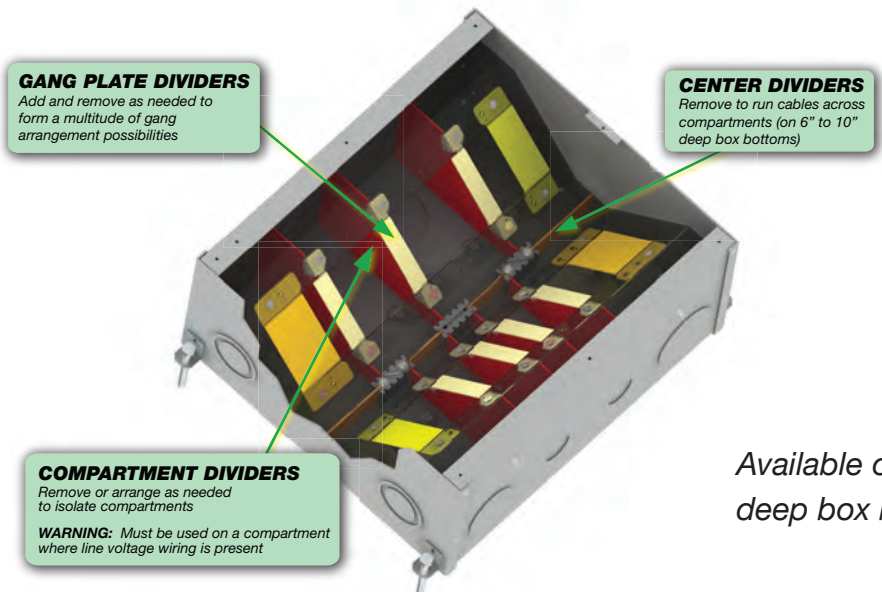


Plate Configuration 6-0



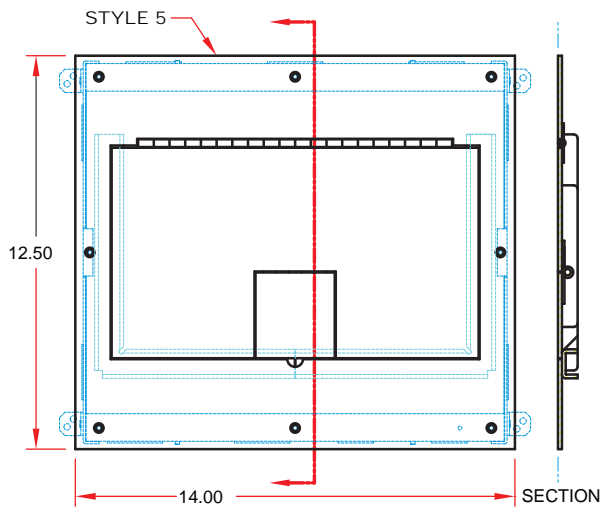
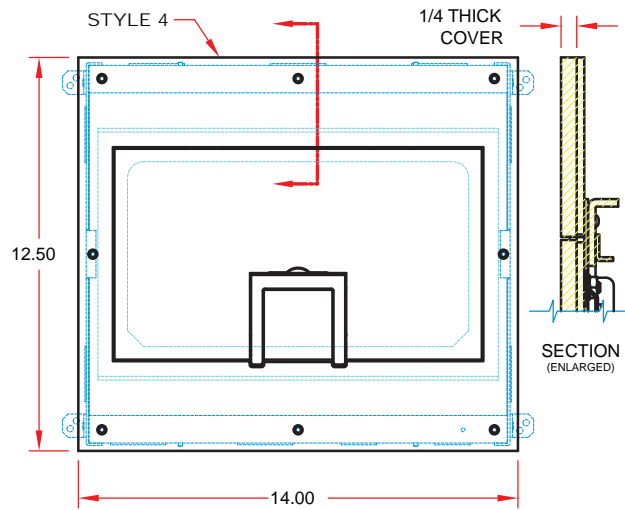
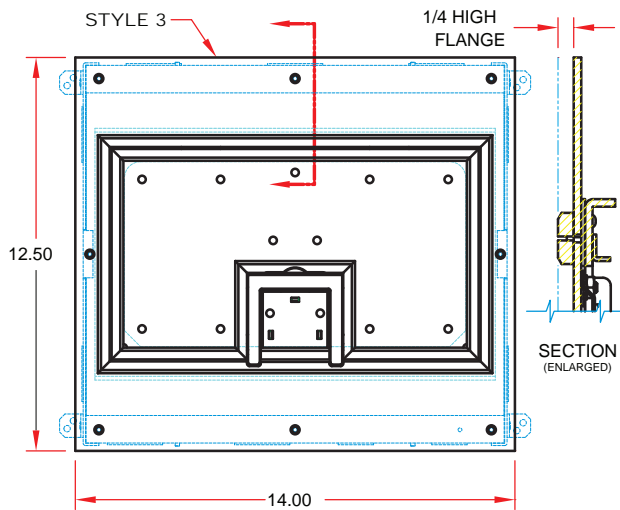
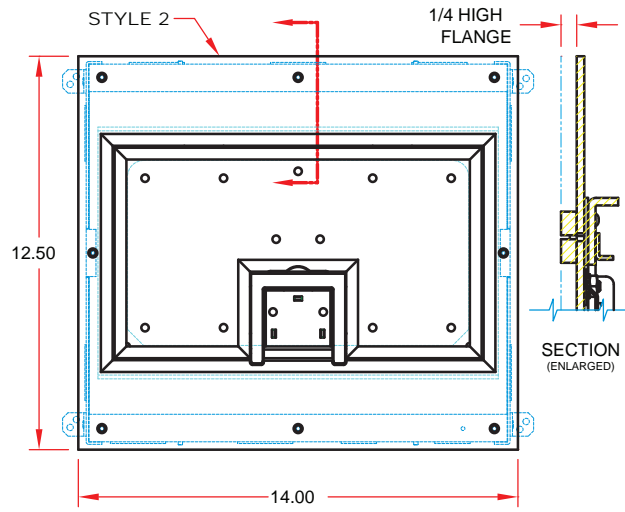
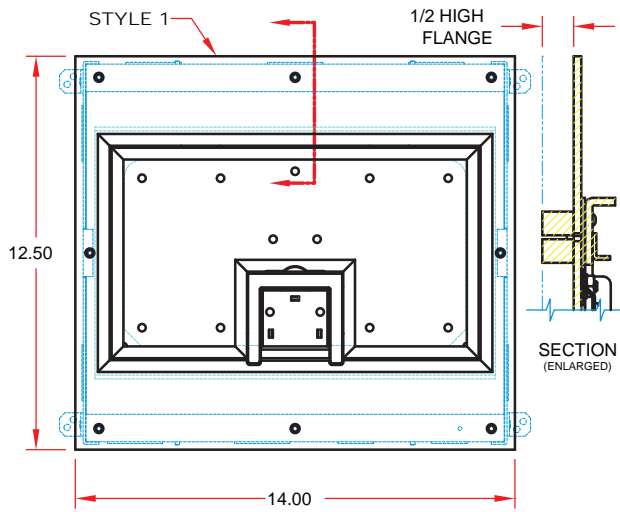
*Decora plate shown for reference only.

FL-600P "TRANSFORMABLE" BOX BOTTOM



Available on 4" through 10" deep box bottom.

COVER DETAIL DRAWINGS



STYLE	DESCRIPTION
1	1/2" SQUARED FLANGE FOR CARPET OR TILE
2	1/4" SQUARED FLANGE FOR CARPET OR TILE
3	1/4" BEVELED FLANGE FOR CARPET
4	SOLID COVER, NO FLANGE**
5	SOLID COVER, NO FLANGE, HINGED**

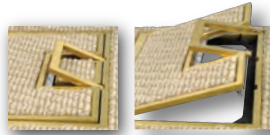
Additional Flange heights and colors are available.
Consult factory.

**Note: Cover Shim Kit (FL-600-CSK) may be required to set the height of box "Pre-Pour" so the top of Finish Cover matches top of finished floor.

COVER OPTIONS



Available in brass, aluminum or painted edging to compliment floor covering.



The U-Access cover design features a handle to easily lift the cover. All corner fasteners have been removed.

See a larger view at bit.ly/1aKZzT6 or scan this QR Code



Not all cover color options are pictured. See the ordering table below for additional options.

Floor Box Cover and box bottom ordering information FL-600P – Requires ordering Cover and box bottom separately

Part #	Description
UL Listed Scrub Water Rated for Tile and Carpet Installations – U-Access Covers	
FL-600P-BLP-C	FL-600P Cover With 1/4" Brass Beveled Flange (Lift off door) *Max static load 1,200 lbs
FL-600P-BSQ-C	FL-600P Cover with 1/4" Brass Square Flange (Lift off door) *Max static load 1,200 lbs
FL-600P-B-C	FL-600P Cover With 1/2" Brass Square Flange (Lift off door) *Max static load 1,500 lbs
FL-600P-SLP-C	FL-600P Cover With 1/4" Aluminum Beveled Flange (Lift off door) *Max static load 1,200 lbs
FL-600P-SSQ-C	FL-600P Cover With 1/4" Aluminum Square Flange (Lift off door) *Max static load 1,200 lbs
FL-600P-S-C	FL-600P Cover With 1/2" Aluminum Square Flange (Lift off door)*Max static load 1,500 lbs
FL-600P-PLP-BLK-C	FL-600P Cover with 1/4" Painted Beveled Flange - Black (Lift off door) *Max static load 1,200 lbs
FL-600P-PLP-CLY-C	FL-600P Cover with 1/4" Painted Beveled Flange - Clay (Lift off door) *Max static load 1,200 lbs
FL-600P-PLP-GRY-C	FL-600P Cover with 1/4" Painted Beveled Flange - Gray (Lift off door) *Max static load 1,200 lbs
UL Listed Scrub Water Rated - No Carpet Trim** – U-Access Covers ** Shim kits may be required.	
FL-600P-SLD-ALM-C**	FL-600P Solid Cover w/ Cable Exit (No Flange) - Aluminum *Max static load 2,600 lbs
FL-600P-SLD-BLK-C**	FL-600P Solid Cover w/ Cable Exit (No Flange) - Black *Max static load 2,600 lbs
FL-600P-SLD-CLY-C**	FL-600P Solid Cover w/ Cable Exit (No Flange) - Clay *Max static load 2,600 lbs
FL-600P-SLD-GRY-C**	FL-600P Solid Cover w/ Cable Exit (No Flange) - Gray *Max static load 2,600 lbs
Flat Covers (No Flange) with Hinged Door	
FL-600P-BK-C	Flat Cover in Black Wrinkle Powder Coat
FL-600P-PTSLV	Flat Cover in Silver Paint
FL-600P-SS	Flat Cover in Stainless Steel
Box Bottom - UL Listed - Includes Steel Construction Cover	
FL-600P-3-B	FL-600P Box Bottom - 3" Deep 6 x 1-Gang Areas
FL-600P-4-B	FL-600P Box Bottom - 4" Deep
FL-600P-5-B	FL-600P Box bottom - 5" Deep
FL-600P-6-B	FL-600P Box Bottom - 6" Deep
FL-600P-8-B	FL-600P Box Bottom - 8" Deep
FL-600P-10-B	FL-600P Box Bottom - 10" Deep
Optional Brackets for FL-600P-3-B Box Bottom (END compartment areas)	
FL-600P3"-EP-DEC	Decora Optional Bracket
FL-600P3"-EP-DUP	Duplex Optional Bracket
FL-600P3"-EP-4IPS	4-IPS Optional Bracket
Optional brackets for FL-600P-3-B Box Bottom (MAIN compartment areas)	
FL-P3"-Decora	Decora optional Bracket
FL-P3"-Duplex	Duplex optional Bracket
FL-P3"-6IPS	6-IPS optional Bracket
FL-P3"-Blank	Blank optional Bracket
Optional Manufacturers Specific Mounting Brackets	
MMS-FL600/640-P4	Crestron DM-TX-200-C-2G Wallplate Mounting Bracket w/Blank Plate (4" deep box only)
Pour Pan Accessories	
FL-GRD2	2" Grade Mounting Kit
FL-GRD4	4" Grade Mounting Kit
Optional Shim Kit**	
FL-600-CSK	Temporary and Final Cover Shim Kit



244 Bergen Boulevard, Woodland Park, NJ 07424
Phone: 973.785.4347 · Fax: 973.785.4207
Web: www.fsrinc.com · E-mail: sales@fsrinc.com

Specifications are subject to change without notice.