

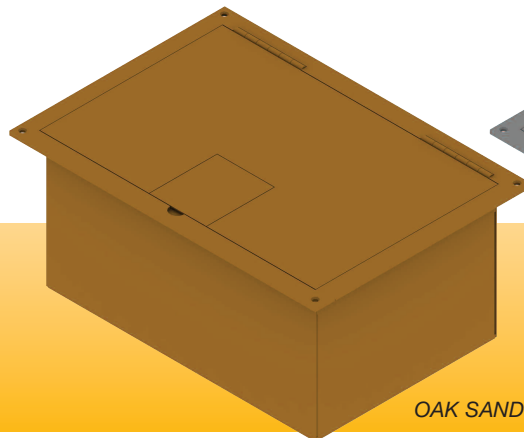
# FL-1500 FLOOR BOX

# FSR

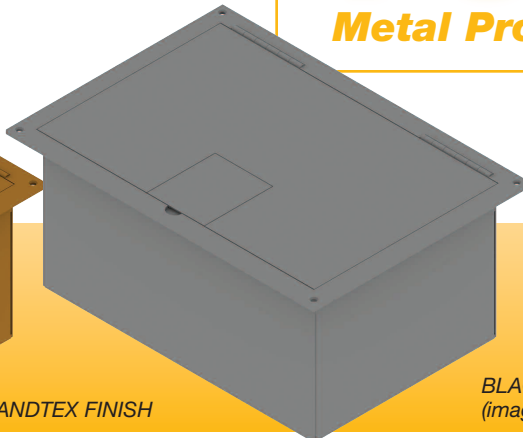
Metal Products Group

## Touchboards

205 Westwood Ave, Long Branch, NJ 07740  
Phone: 866-94 BOARDS (26273) / (732)-222-1511  
Fax: (732)-222-7088 | E-mail: sales@touchboards.com



OAK SANDTEX FINISH



BLACK FINISH  
(image shown lighter for clarity)

### DESCRIPTION

The FL-1500 floor box provides a practical solution for power, audio and video cable termination and connection. This unique floor box is designed for raised floor applications such as wooden stage and computer floors. Its dual-door design allows full access when making connections, yet only leaves a small cable opening during use.

The FL-1500 is offered in two different models The FL-1500, with one single gang duplex outlet opening and the FL-1500-2D, with two single gang duplex outlet openings. Both boxes come with divided areas, isolating power and low voltage/ signal compartments and one removable blank connector mounting plate to be punched and drilled out as required by the contractor.

As an option, six removable connector mounting plates are available for the FL-1500 box style with a variety of pre-punched holes to accommodate various common connector scenarios.

The durable cover of the FL-1500 is painted with black or oak Sandtex paint. There are eight 1 1/4" concentric knockouts, four on the rear, and four on the bottom. The power section has two knockouts, and the audio/video section has four or six depending on the model. The FL-1500 is a one piece, all welded design. The cover is manufactured from 1/8" steel plate.

### SPECIFICATIONS

Size: Top 13 1/2" x 9 1/2" x 3/16"  
Box 11 7/8" x 8" x 6"  
Weight: 13 lbs.  
Knockouts: Rear 4 either 1" or 1 1/4"  
Bottom 4 either 1" or 1 1/4"  
Finish: Black or Oak Sandtex paint

NOTE: For use in wooden construction, or raised floors.

### ORDERING INSTRUCTIONS

#### FL-1500 Series

| Item# | Part#          | Description  |
|-------|----------------|--|
| 10090 | FL-1500-BLK    | FL-1500 With Hinged Door in Black Sandtex                |
| 15494 | FL-1500-OAK    | FL-1500 With Hinged Door in Lt. Oak Sandtex              |
| 10088 | FL-1500-2D-BLK | FL-1500 Punched for 2 Duplex. Black Sandtex Hinged Lid   |
| ATO   | FL-1500-2D-OAK | FL-1500 Punched for 2 Duplex. Lt. Oak Sandtex Hinged Lid |

#### FL-1500 Series Optional Internal Plates

|       |              |                                |
|-------|--------------|--------------------------------|
| 16964 | FL-1500-3GP  | 3-Gang Large Plate             |
| 16965 | FL-1500-4GP  | 4-Gang Large Plate             |
| 16966 | FL-1500-X12P | 12 XLR Large Plate             |
| 16967 | FL-1500-X18P | 18 XLR Large Plate             |
| 16968 | FL-1500-IPSP | 3 x 6 IPS Openings Large Plate |
| 17021 | FL-1500-BAP  | 6 XLR and 2 Speakon™ Openings  |

ATO - Assembled to Order. You may be contacted for additional information

Note: All Optional Internal Plates will only fit the FL-1500 or FL-2000 models only and will NOT fit the FL-1500-2D or FL-2000-2D models.

### FSR Inc.

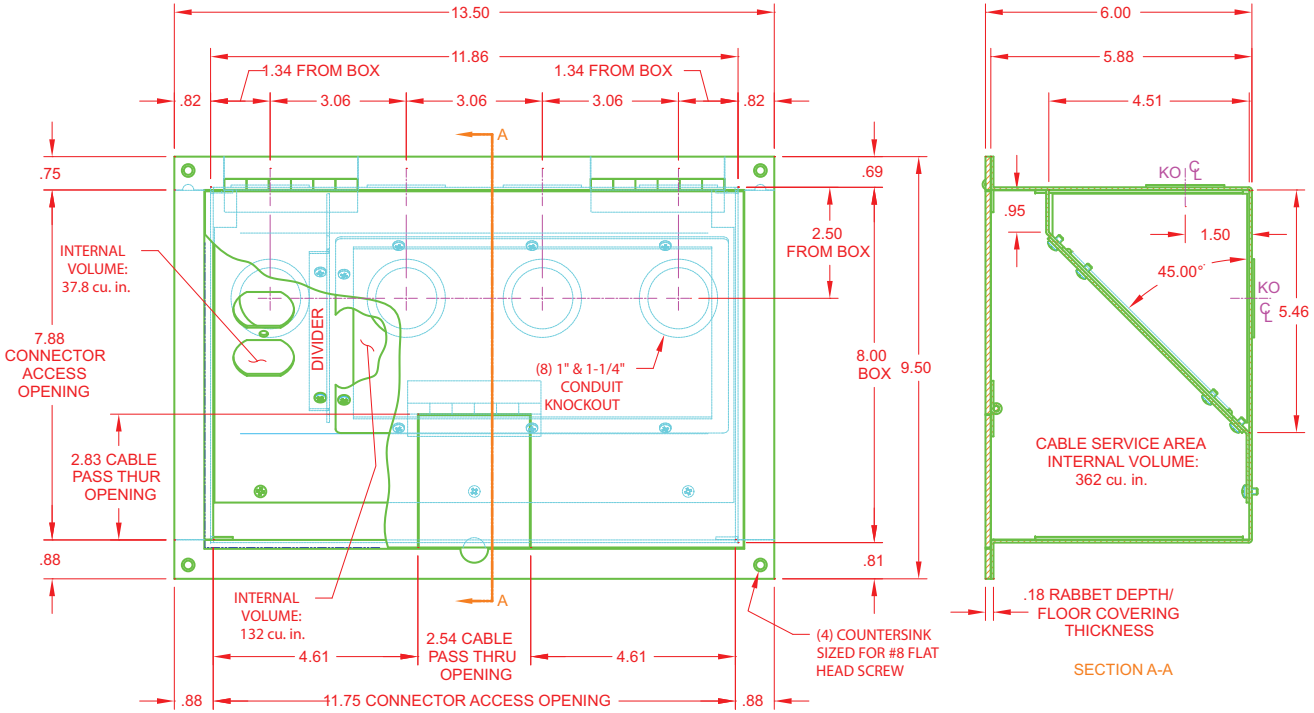
244 Bergen Boulevard, Woodland Park, NJ 07424  
Phone: 973.785.4347 · Fax: 973.785.4207  
Web: www.fsrinc.com · E-mail: sales@fsrinc.com  
Order Desk: 1-800-332-FSR1

LIT1069A

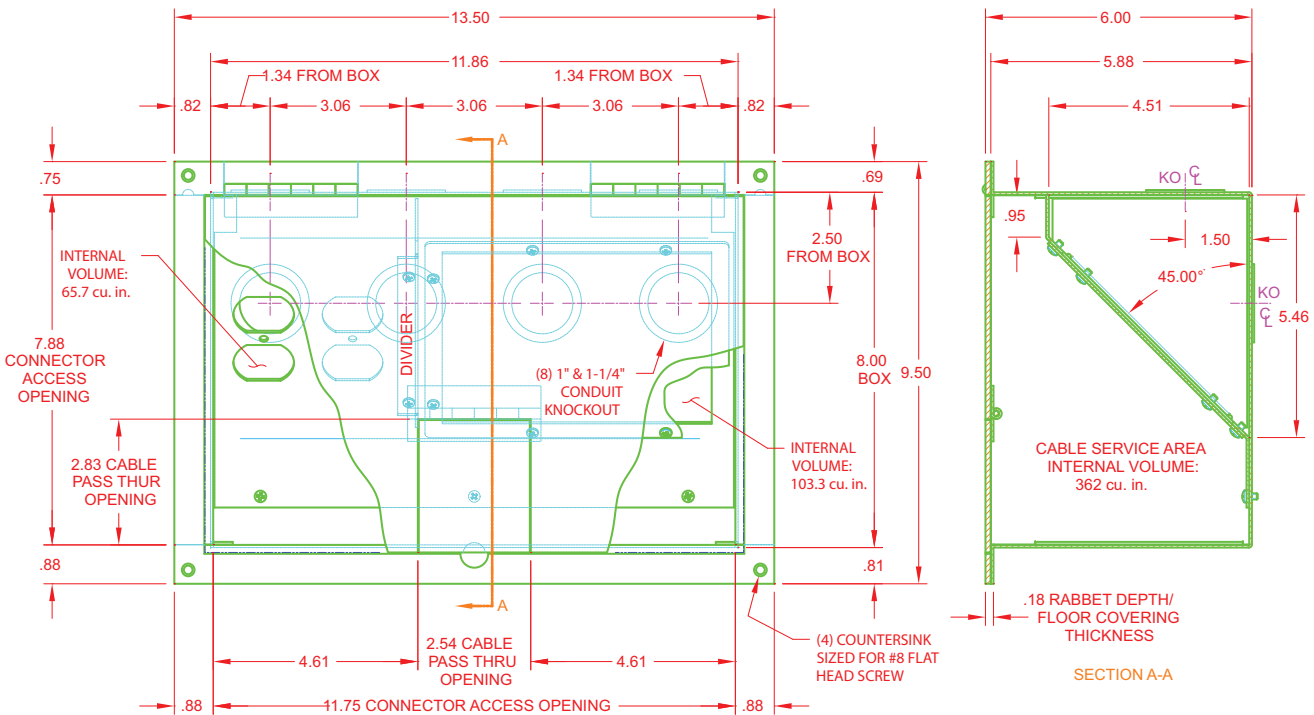
# FL-1500 DIMENSION DRAWINGS

- Cut out size is 12" x 8.125"
- Opening should be rabbeted 3/16" deep; for finished wood floors only.  
NOTE: the flanges are different sizes; use box to mark edges.
- Mount with four flat head wood screws.
- Insert bracket with three #6-32 screws (supplied).

## FL-1500

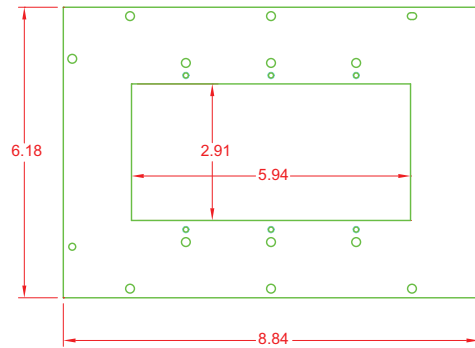


## FL-1500 2-D



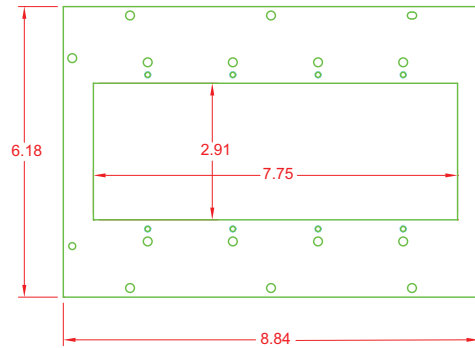
## FL-1500 3GP

3-Gang Large Plate



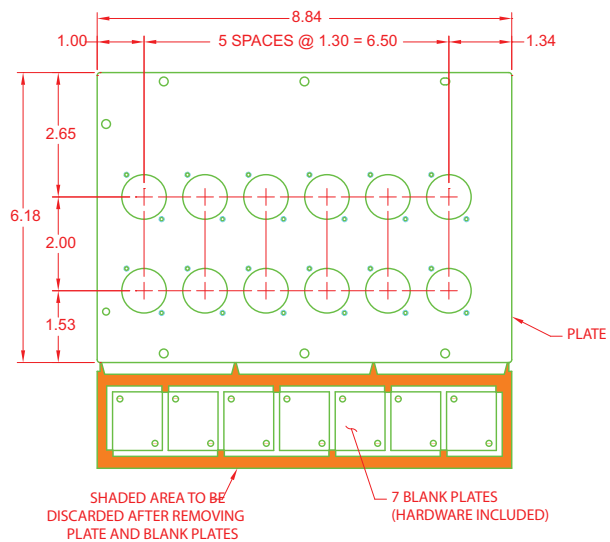
## FL-1500 4GP

4-Gang Large Plate



## FL-1500 X12P

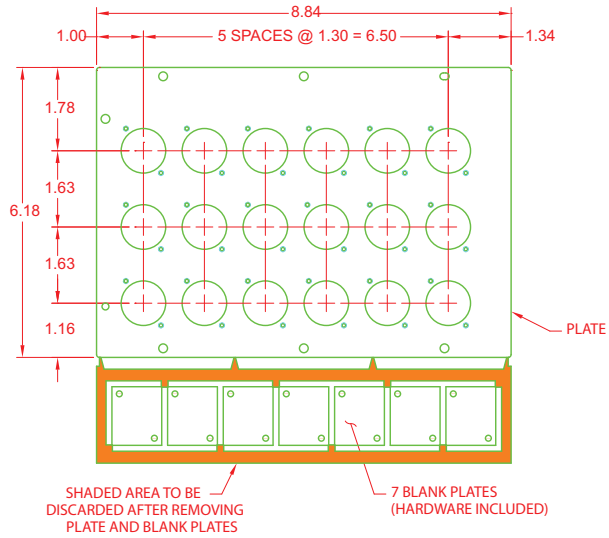
12 Neutrik™ "D" size punchouts for XLR and other type connectors using the same hole pattern.



# FL-1500 OPTIONAL INTERNAL BRACKET ARRANGEMENTS (CONT'D)

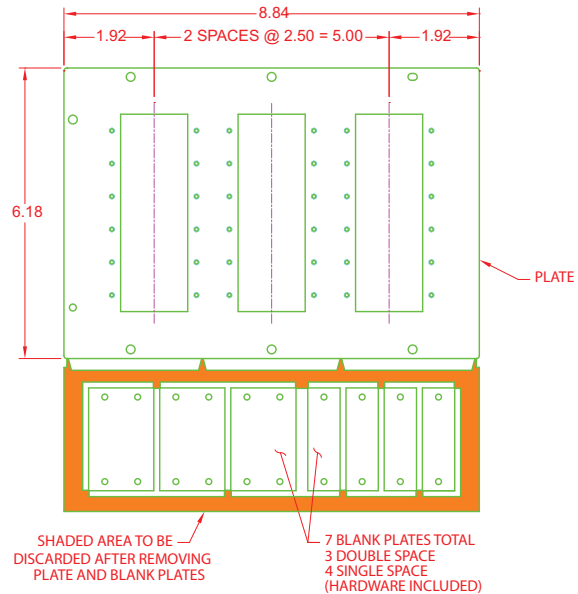
## FL-1500 X18P

18 Neutrik™ "D" size punchouts for XLR and other type connectors using the same hole pattern.



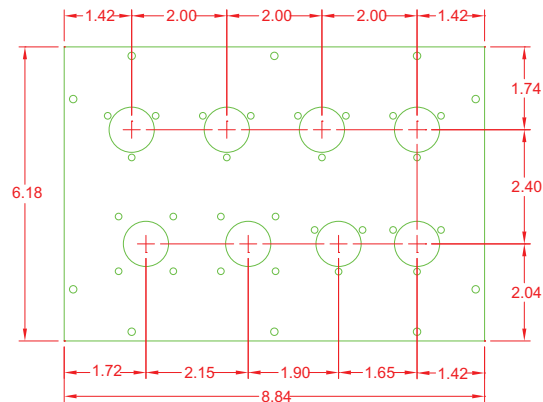
## FL-1500 IPSP

3 x 6 IPS Openings Large Plate



## FL-1500-BAP

6 Switchcraft™ "C" size XLR punchouts and 2 Neutrik™ type "G" Speakon™ sized punchouts.



244 Bergen Boulevard, Woodland Park, NJ 07424  
 Phone: 973.785.4347 · Fax: 973.785.4207  
 Web: www.fsrinc.com · E-mail: sales@fsrinc.com



Specifications are subject to change without notice.