

FL-200 FLOOR BOX FAMILY

FSR

Metal Products Group

FL-200



Touchboards

205 Westwood Ave, Long Branch, NJ 07740
Phone: 866-94 BOARDS (26273) / (732)-222-1511
Fax: (732)-222-7088 | E-mail: sales@touchboards.com



**Scrub water approved for
carpet, tile, and wood floors!**

DESCRIPTION

The new FL-200 pour-in-place floor box series is designed to provide a smaller box option for those installations that do not require the additional internal space available in the larger FL-500P and FL-600P boxes.

The FL-200 Series consists of 2 box designs. The 3" back box has 2 single gang compartments of different volumes and is a perfect 2 trade box. The compartments are independent of one another so that the smaller compartment can be used for high voltage while the larger one is used for low voltage connections.

The 4" back box has a single Decora opening for data or power connections on one side and on the other side there are two different internal brackets available. It ships with a bracket that mounts standard size electrical plates that accommodate a 2 gang plate or can be split into 2 single gang openings with isolation. The second bracket, the MMS-FL200-4, ordered separately, has a 2 gang opening for mounting modified digital media devices (Crestron/AMX) that require more room behind the plate.

The FL-200 Series covers are designed to match those on the FL-500P and FL-600P Series floor boxes. This provides visual continuity in installations where FL-200's are installed along with FL-500P's and FL-600P's. The covers meet UL scrub water requirements for tile and carpet installations and feature easy tool free access as well as a fold down cable exit door which allows the cover to be closed with cables exiting the box.

All FSR floor boxes are designed and manufactured in the United States using strong and dependable steel. This provides a durable floor box that stands up to the rigors of a floor environment.

FEATURES

- 3" and 4" Deep Back Boxes
- 3" Back Box has 2 single gang Decora compartments
- 4" Back Box accommodates extra deep devices from Hubble, Crestron, AMX and others with use of MMS-FL200-4 Bracket
- Large Variety of covers to choose from
- UL Tile and Carpet Scrub Water Rating
- Made in the USA
- All steel construction

FIRE-RESISTANT FLOOR BOXES



FSR also offers a line of larger Fire-Resistant floor boxes.

Our FRK floor solutions expand the versatility of our floor box line by providing enhanced, fire-resistant versions of our existing products. Our FRK kits are UL listed and comply with UL 263 Fire Resistance Ratings.

FSR Inc.

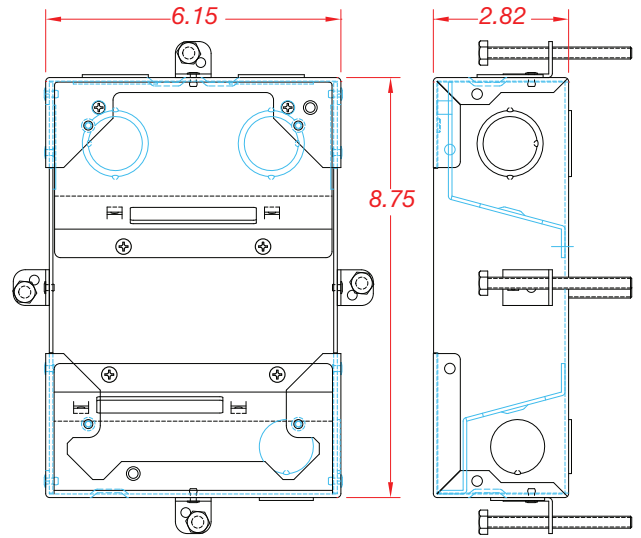
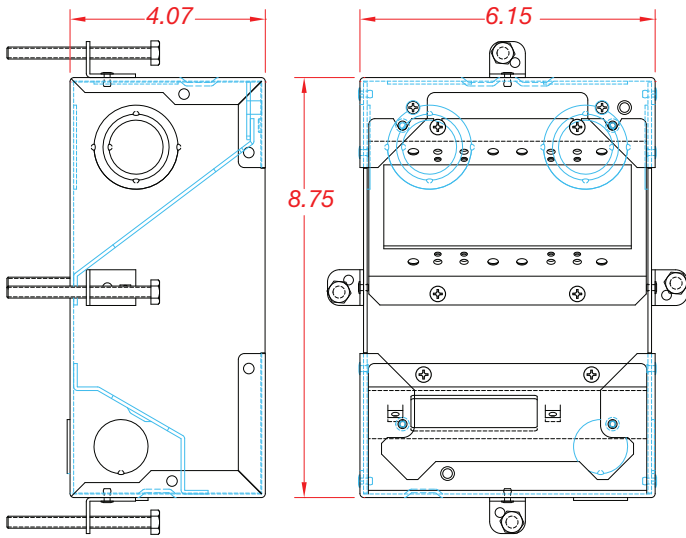
244 Bergen Boulevard, Woodland Park, NJ 07424
Phone: 973.785.4347 · Fax: 973.785.4207
Web: www.fsrinc.com · E-mail: sales@fsrinc.com
Order Desk: 1-800-332-FSR1

LIT1555A

FL-200 BACK BOX DETAILS

4"-DEEP BOX

3"-DEEP BOX

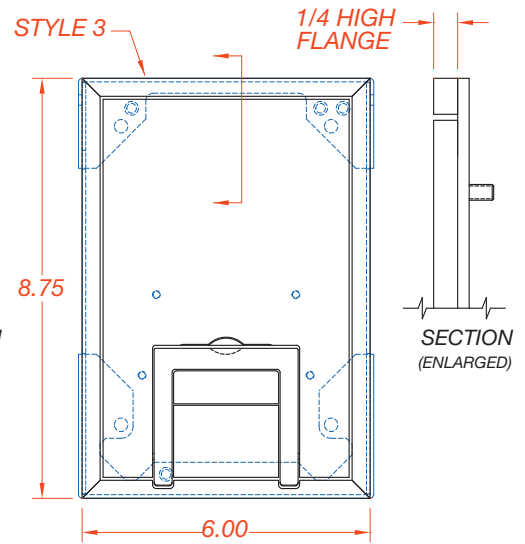
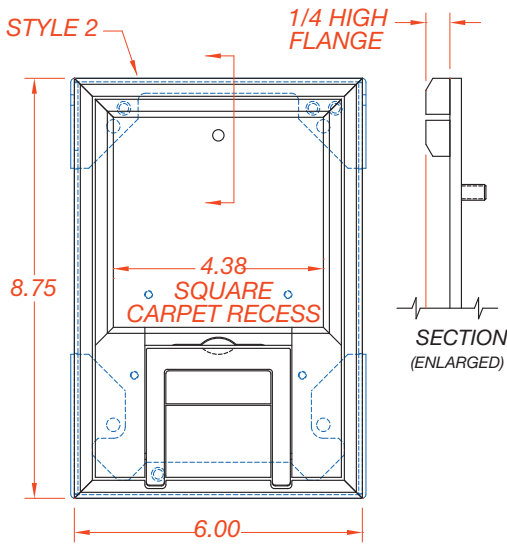
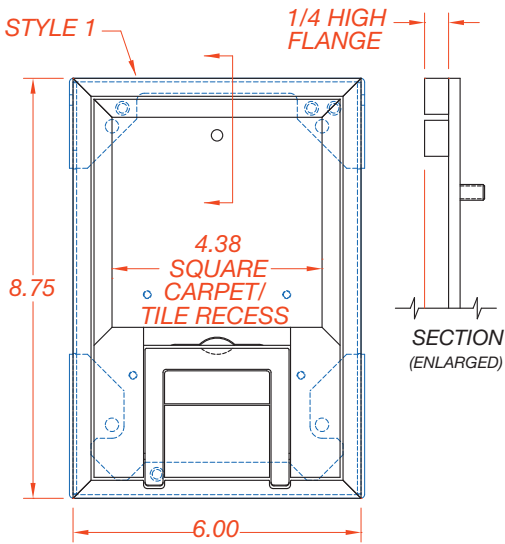


FL-200 COVER DETAILS

1/4" SQUARED FLANGE FOR CARPET OR TILE

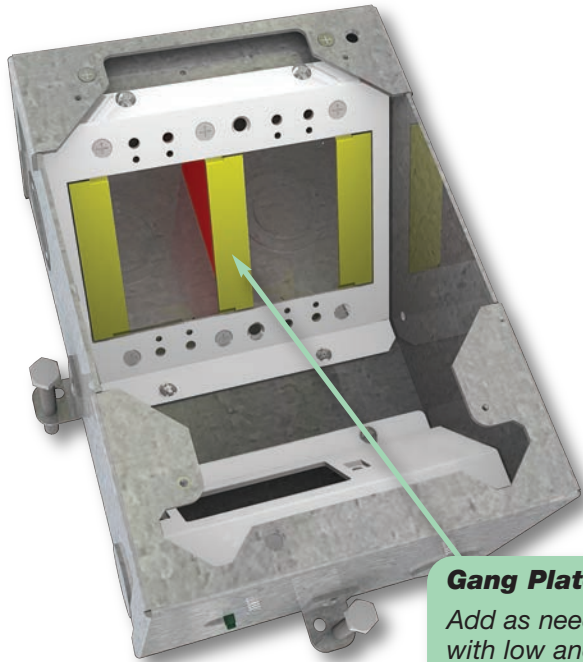
1/4" BEVELED FLANGE FOR CARPET

SOLID COVER, NO LARGE DOOR RECESS**

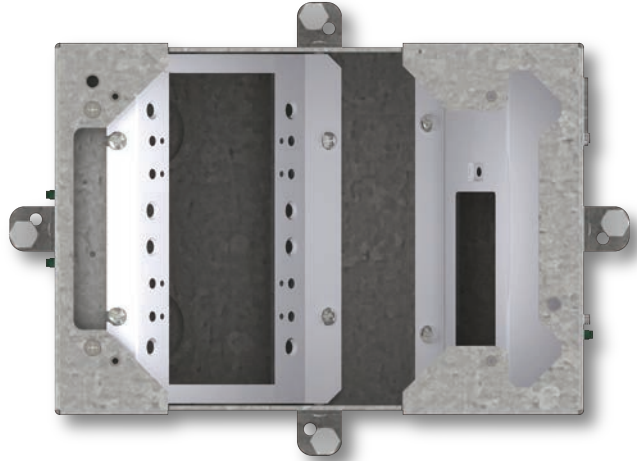


****Note:** Cover Shim Kit (FL-200-CSK) may be required to set the height of box "Pre-Pour" so the top of Finish Cover matches top of finished floor.

FL-200 4" DEEP BACK BOX INTERNAL BRACKET ARRANGEMENT



No Bracket
4" Box Shown with no dividers in place

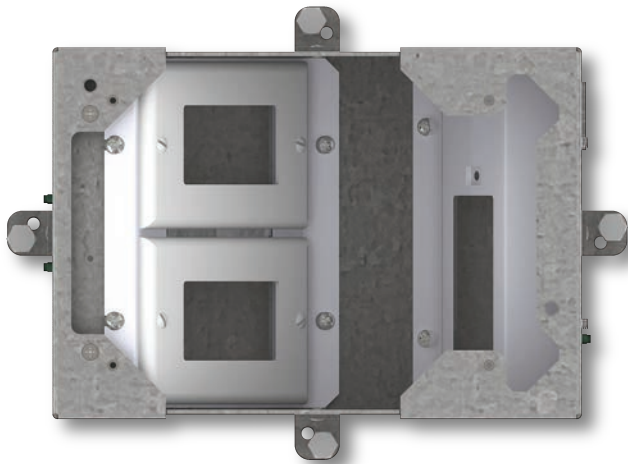


Gang Plate & Compartment Dividers

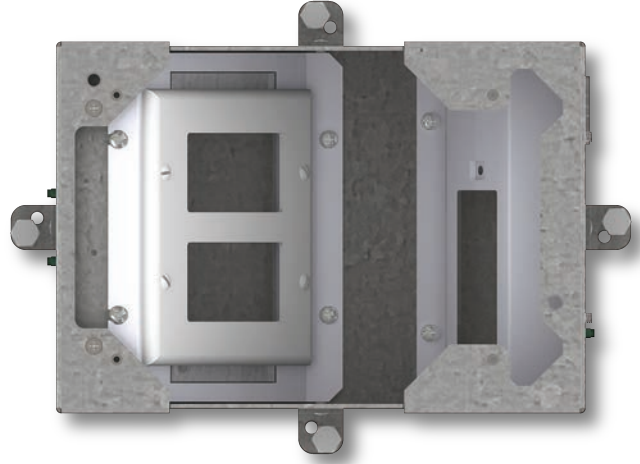
Add as needed to for single gang arrangement with low and high voltage connections

WARNING: Must be used when line voltage wiring is present

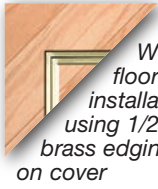
Two 1-Gang Plate Configuration



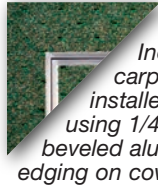
2-Gang Plate Configuration



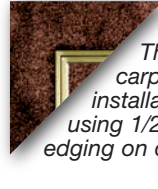
COVER OPTIONS



Wood floor installation using 1/2" brass edging on cover



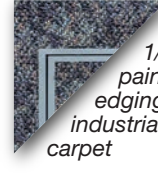
Industrial carpet installed using 1/4" beveled aluminum edging on cover



Thick carpet installation using 1/2" brass edging on cover



Ceramic tile installed using 1/2" aluminum edging on cover



1/4" painted edging with industrial carpet



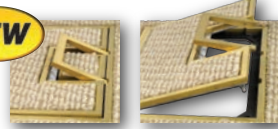
1/4" solid cover in anodized aluminum or painted gray, clay or black



Available in brass, aluminum or painted edging to compliment floor covering.

Not all cover color options are pictured. See the ordering table below for additional options.

NEW



The new U-Access cover design features a handle to easily lift the cover. All corner fasteners have been removed.

See a larger view at bit.ly/1aKZzT6 or scan this QR Code



Floor Box Covers and box bottom ordering information

FL-200 - Requires ordering Cover and box bottom separately

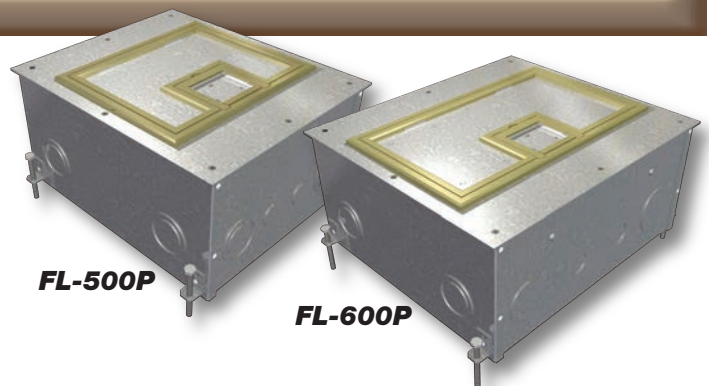
Part #	Description
U-Access Covers - UL Scrub Water Rated for Tile and Carpet Installations	
FL-200-B-C U-Access	FL-200 Cover With 1/2" Brass Square Flange (Lift off door)
FL-200-BLP-C U-Access	FL-200 Cover With 1/4" Brass Beveled Flange (Lift off door)
FL-200-BSQ-C U-Access	FL-200 Cover With 1/4" Brass Square Flange (Lift off door)
FL-200-S-C U-Access	FL-200 Cover With 1/2" Aluminum Square Flange (Lift off door)
FL-200-SLP-C U-Access	FL-200 Cover With 1/4" Aluminum Beveled Flange (Lift off door)
FL-200-SSQ-C U-Access	FL-200 Cover With 1/4" Aluminum Square Flange (Lift off door)
FL-200-PLP-GRY-C U-Access	FL-200 Cover with 1/4" Painted Beveled Flange - Gray (Lift off door)
FL-200-PLP-CLY-C U-Access	FL-200 Cover with 1/4" Painted Beveled Flange - Clay (Lift off door)
FL-200-PLP-BLK-C U-Access	FL-200 Cover with 1/4" Painted Beveled Flange - Black (Lift off door)
U-Access Covers - UL Scrub Water Rated - No Carpet Trim**	
FL-200-SLD-ALM-C U-Access**	FL-200 Solid Cover w/ Cable Exit (No Flange) - Aluminum
FL-200-SLD-BLK-C U-Access**	FL-200 Solid Cover w/ Cable Exit (No Flange) - Black
FL-200-SLD-CLY-C U-Access**	FL-200 Solid Cover w/ Cable Exit (No Flange) - Clay
FL-200-SLD-GRY-C U-Access**	FL-200 Solid Cover w/ Cable Exit (No Flange) - Gray
Box Bottom - UL Listed - Includes Steel Construction Cover	
FL-200-3	FL-200 box bottom - 3" Deep 2 x 1-Gang Areas
FL-200-4	FL-200 box bottom - 4" Deep
Optional Manufacturers Specific Mounting Brackets	
MMS-FL200-4	Crestron DM-TX-200-C-2G Wallplate Mounting Bracket w/Blank Plate (4" deep box only)
Pour Pan Accessories	
FL-GRD200	2" Grade Mounting Kit for FL-200 Floor Box
Optional Shim Kit**	
FL-200-CSK	Temporary and Final Cover Shim Kit

**Shim kit may be required.

LARGER SIZE FLOOR BOXES

OUR STANDARD SIZE FL-SERIES FLOOR BOXES ARE ALSO AVAILABLE

- NEW "Tool-Less" Cover Design!!
- 11-gauge steel temporary construction cover included
- 11-gauge finished steel cover with choice of carpet edging
- Mitered brass or aluminum carpet edging .5" or .25" high
- Lift-off full access door



FL-500P

FL-600P

Specifications are subject to change without notice.



244 Bergen Boulevard, Woodland Park, NJ 07424
 Phone: 973.785.4347 · Fax: 973.785.4207
 Web: www.fsrinc.com · E-mail: sales@fsrinc.com

