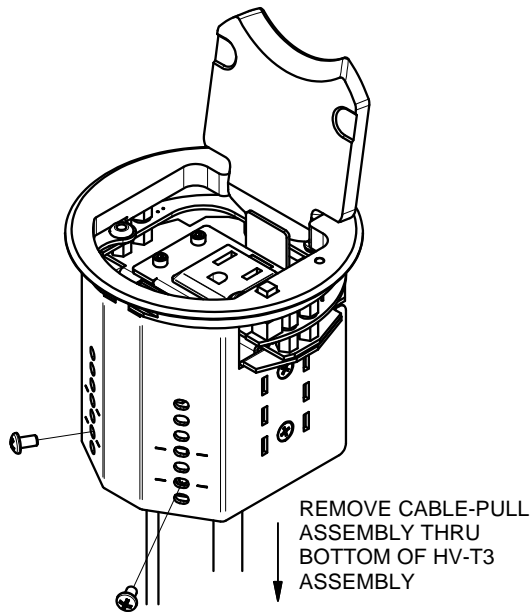
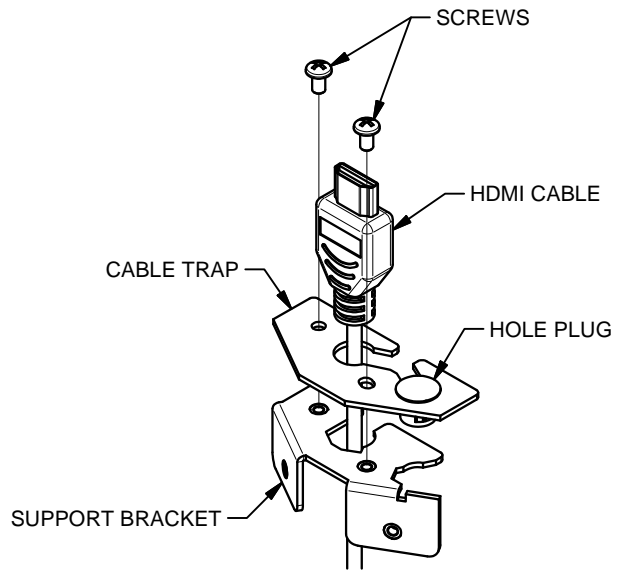


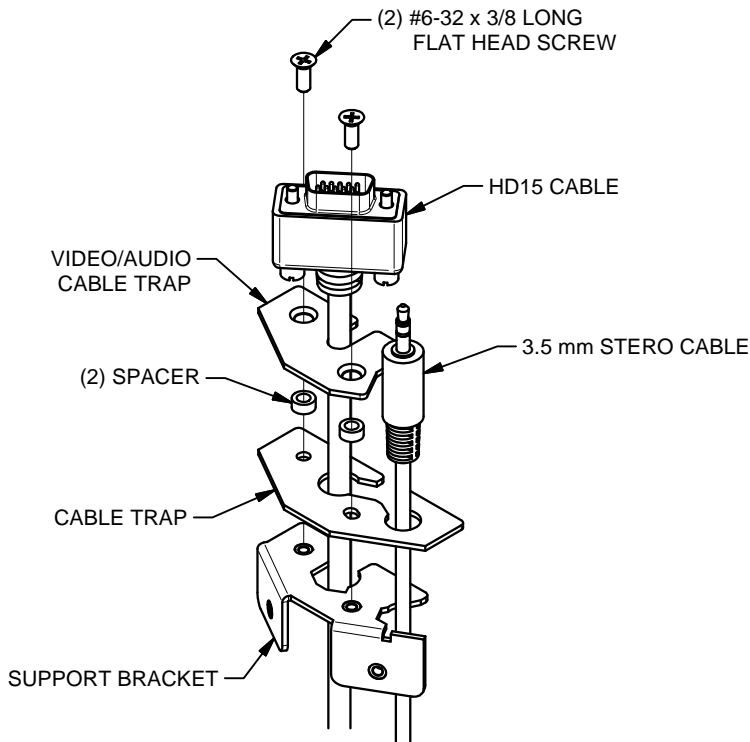
1. REMOVE CABLE-PULL ASSEMBLY SCREWS AND RETAIN SCREWS FOR REASSEMBLY.



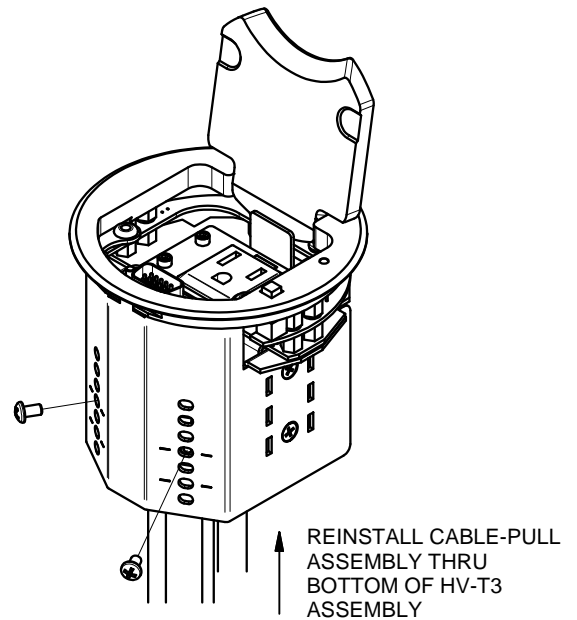
2. DISASSEMBLE CABLE-PULL ASSEMBLY. REMOVE AND DISCARD HDMI CABLE, HOLE PLUG AND SCREWS.



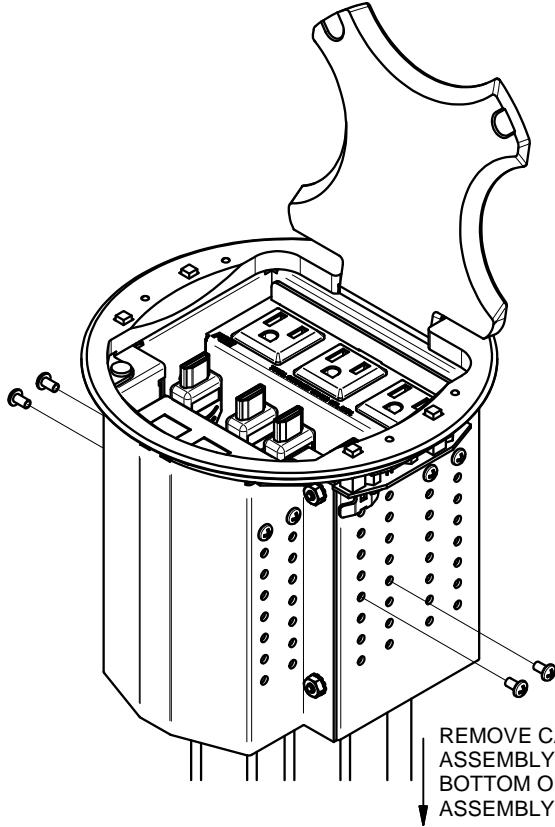
3. REASSEMBLE CABLE-PULL ASSEMBLY WITH SUPPLIED HD15 CABLE, 3.5mm STEREO CABLE, VGA/AUDIO CABLE TRAP, SPACERS AND #6-32 x 3/8 LONG FLAT HEAD SCREWS.



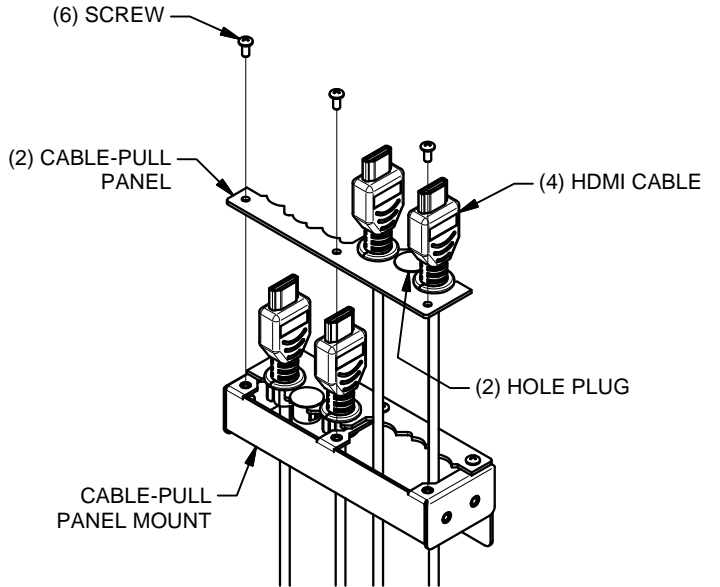
4. REINSTALL CABLE-PULL ASSEMBLY AT INDICATED HOLES.



1. REMOVE CABLE-PULL ASSEMBLY SCREWS AND RETAIN SCREWS FOR REASSEMBLY.



2. DETERMINE WHICH HDMI CABLE WILL BE REMOVED AND WHICH AUDIO HOLE WILL BE USED, AND DISASSEMBLE CABLE-PULL ASSEMBLY. RETAIN CABLE BUSHING AND DISCARD HOLE PLUG. ONE OR BOTH CABLE-PULL PANELS MAY NEED TO BE REMOVED.



4. REINSTALL CABLE-PULL ASSEMBLY AT INDICATED HOLES.

3. REASSEMBLE CABLE-PULL ASSEMBLY WITH SUPPLIED HD15 CABLE, 3.5mm STEREO CABLE AND BUSHING.

