

MiniVU Table
(Stools not supplied)



HuddleVU Table
and Vertical Panel
(Display not supplied)



Dugout Seating Unit,
shown with HuddleVU
Table & Vertical Panel
(Displays and stools
not supplied)



DESCRIPTION

FSR's line of HuddleVU furniture is designed expressly for collaboration and to seamlessly integrate our full line of HuddleVU solutions. Stock models are available in nine (9) different finishes or can be customized with any of the hundreds of laminates Wilsonart offers. All tables are constructed of solid wood composite and finished with versatile, exclusive, high quality Wilsonart Laminates making them dramatically more durable.

Tables ship directly from the factory precut to accept the HuddleVU Table Box configuration you specify with your order. All mounting shelves ship installed to speed installations on-site, and assist in the standardization of installations.

Tables are freestanding but can be installed against a wall with a wall-mounted or ceiling mounted display. Optional vertical Wall Panels are optimally designed to accept a single display from 40" to 56" in size, or dual displays from 32" to 46". Both sides of the Wall Panel are finished in the same laminate as the table top so it can be used in open office situations standing clear of any walls.

The integrated cable management also adds to the elegance of these units by eliminating unsightly cabling. FSR HuddleVU Furniture provides an economical collaboration solution for education, corporate, and healthcare environments.

APPLICATIONS

- Huddle Areas
- Flipped/Inverted Classrooms
- Libraries
- Conference Rooms
- Educational Facilities
- Corporate Teleconference Rooms
- Learning Centers
- Training Rooms
- Health Care Facilities

FEATURES

- Table solutions are available to accommodate 2, 4, 5, 6, 7 or 8 active participants (inputs)
- Available in 28" (table) or 35" (counter) heights
- Bases are designed to contain all HuddleVU equipment, switchers, and cabling with ample room for PC's and other fixed equipment
- 9 stock finishes available (see back). Custom orders with other laminates from Wilsonart are also available. (Contact FSR for more information.)
- Vertical Back Panels are available separately, finished front and back in a laminate to match the table(s) with the cable management integrated.
- Single or dual monitor mounts are available
- Large, locking, full length, equipment access door on each side of the table base
- All of the HuddleVU Table Boxes accept FSR's TBRT Cable Retractors

DUGOUT SEATING UNITS

- HuddleVU Dugouts can be used with HuddleVU and MiniVU 28" high (table height) tables
- HuddleVU Dugout seats up to 12 users
- Two additional seating areas can be utilized for handicapped seating as required (ADA Compliant, except when MiniVU Table is used)
- The Dugout's outer counter has AC power and device charging via T3-IPS Table Boxes
- The Dugout can be ordered in a variety of table finishes and upholstery colors to match existing décor

See reverse for Dimensions and Finish options.

FSR Inc.

244 Bergen Boulevard, Woodland Park, NJ 07424

Phone: 973.785.4347 · Fax: 973.785.4207

Web: www.fsrinc.com · E-mail: sales@fsrinc.com

LIT1571

STANDARD COLORS



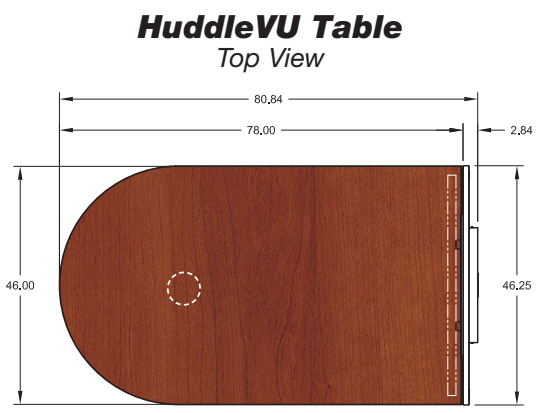
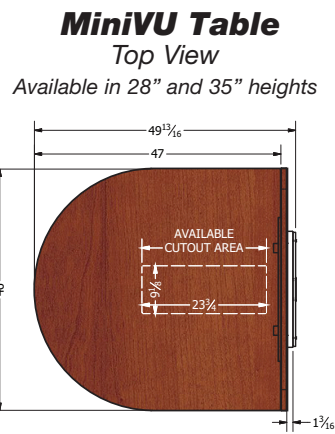
Order	Laminate Suffix	FSR Number	Wilsonart Laminate Name
1	C	WA7942K-07	Cocobala
2	MW	WA7110K-78	Montana Walnut
3	EM	WA7122K-07	Empire Mahogany
4	BC	WA7924K-07	Biltmore Cherry
5	WC	WA7054-60	Wild Cherry
6	HM	WA7929-38	Huntington Maple
7	CO	WA7928-38	Castle Oak
8	KM	WA10776-60	Kensington Maple
9	W	WA1570-60	White



ORDERING INFORMATION

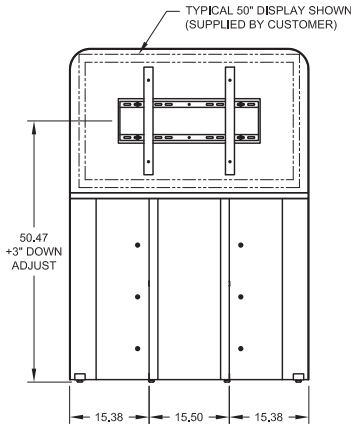
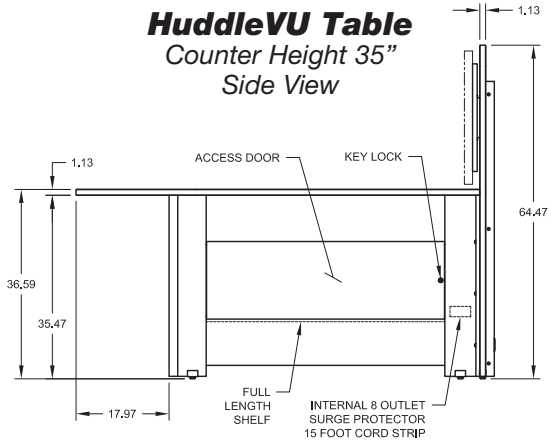
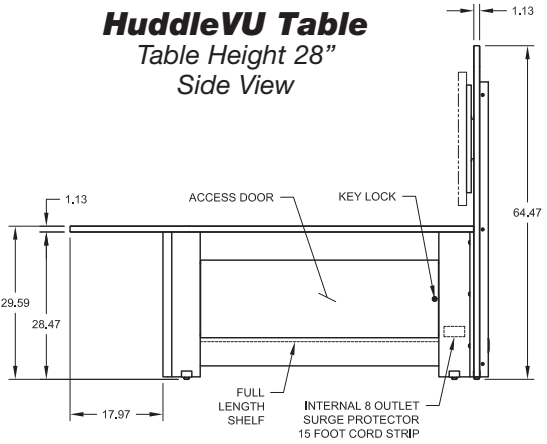
HuddleVU 28"H	Tabletop: 46"W x 78"L	HVTB-28-xx
HuddleVU 35"H	Tabletop: 46"W x 78"L	HVTB-35-xx
MiniVU 28"H	Tabletop: 46"W x 47"L	HVTB-MINI28-xx
MiniVU 35"H	Tabletop: 46"W x 47"L	HVTB-MINI35-xx
HuddleVU Wall Panel	For use with HuddleVU & MiniVU Tables	HVTB-WPNL-xx
HuddleVU Dugout Seating Unit	For use with HuddleVU & MiniVU 28"H Tables	HVTB-DUGOUT-xx

(xx = Laminate Suffix from Standard Colors Chart above. Contact FSR for custom finishes not shown.)



Visit our website or contact us for table box layout options and current drawings.

Optional Vertical Panel
For MiniVU & HuddleVU tables
(Single or Dual Display mounts available)



Specifications are subject to change without notice.
Products are not shown to scale.



205 Westwood Ave, Long Branch, NJ 07740
Phone: 866-94 BOARDS (26273) / (732)-222-1511
Fax: (732)-222-7088 | E-mail: sales@touchboards.com