

4

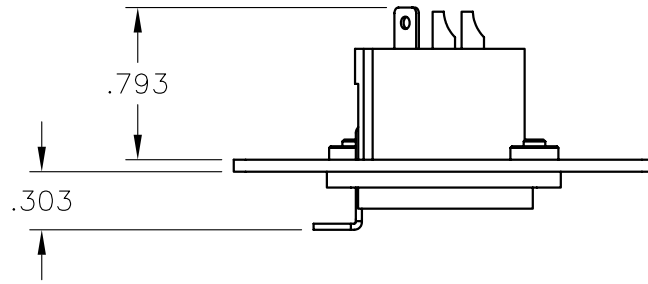
3

2

1

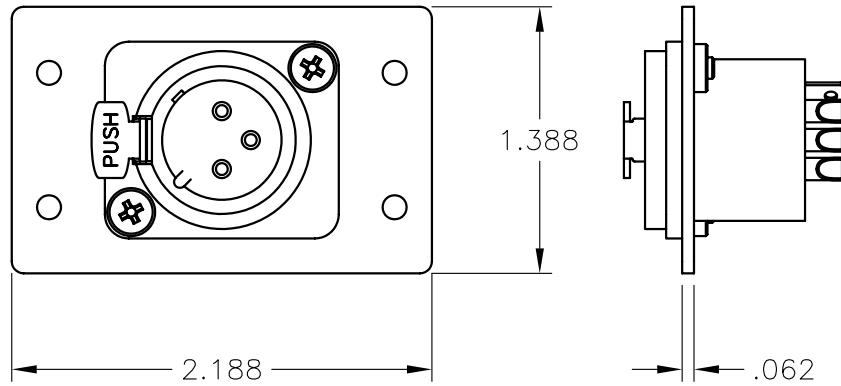
C

C



B

B



A

A

3-PIN FEMALE XLR - SOLDER TYPE

**FSR** inc.  
 244 BERGEN BLVD.  
 W. PATERSON, NJ 07424  
 TEL. (973) 785-4347  
 FAX (973) 785-3318

TITLE: IPS AUDIO INSERT IPS-A611D		
DRAWN BY: JRE	DATE: 10/27/06	REV: -
DWG#: IPS-A611D	SCALE: 1:1	

4

3

2

1