

4

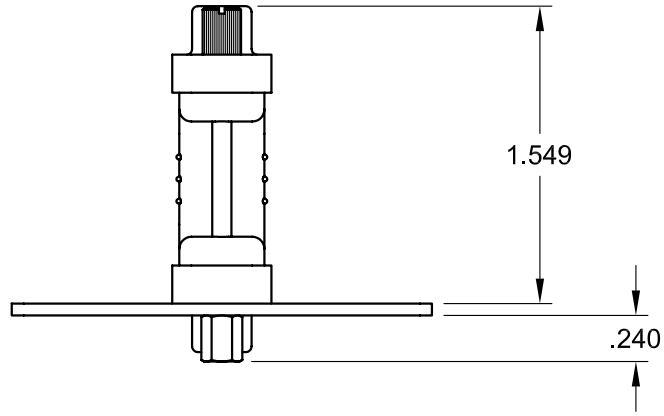
3

2

1

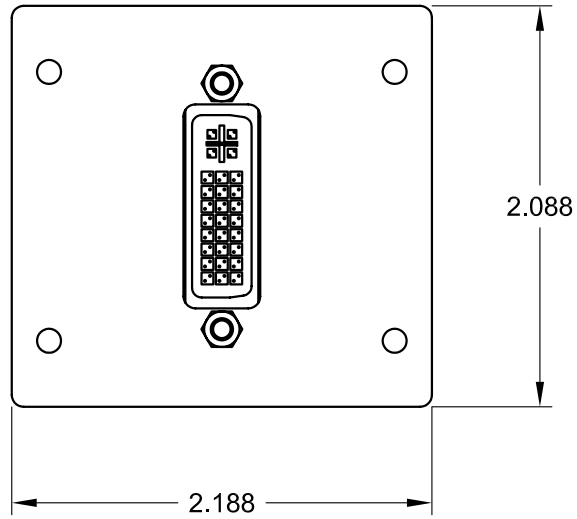
C

C



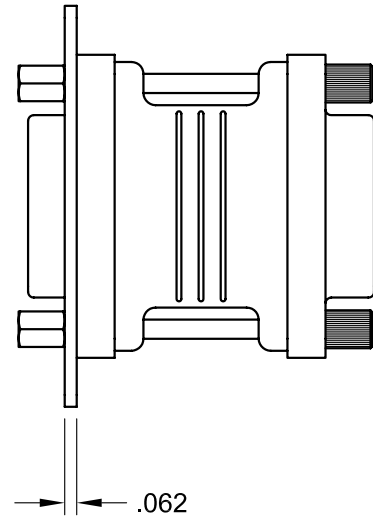
B

B



A

A



DVI-I FEMALE TO FEMALE - BULKHEAD TYPE

FSR *INC.*
 244 BERGEN BLVD.
 W. PATERSON, NJ 07424
 TEL. (973) 785-4347
 FAX (973) 785-3318

TITLE: IPS VIDEO INSERT IPS-V611T		
DRAWN BY: JRE	DATE: 05/08/07	REV: -
DWG#: IPS-V611T	SCALE: 1:1	

4

3

2

1