

ML-800

8 Room Audio Control System

"The ONLY room combining system that's ready-to-run out of the box"

FSR

Audio Products Group

ML-800



Membrane or LCD Wallplate Available

The ML – 800 is a dedicated 8-room audio control system for the hospitality industry. Based upon the venerable ML – 116, the ML – 800 promises unprecedented functionality and ease of use in a very affordable package.

The ML – 800 can control up to 8 rooms with single button ease of use. Room combining is done via the front panel. Additionally, all individual room functions can be performed from the front panel making it possible to set-up and monitor the entire facility from a single location.

Unlike most other systems, ML – 800 is truly an out of the box plug and play system. There simply is no programming required or modules to assemble. Attach the wall plates from each room, the mixers and the amplifiers, and the ML – 800 is ready to go.

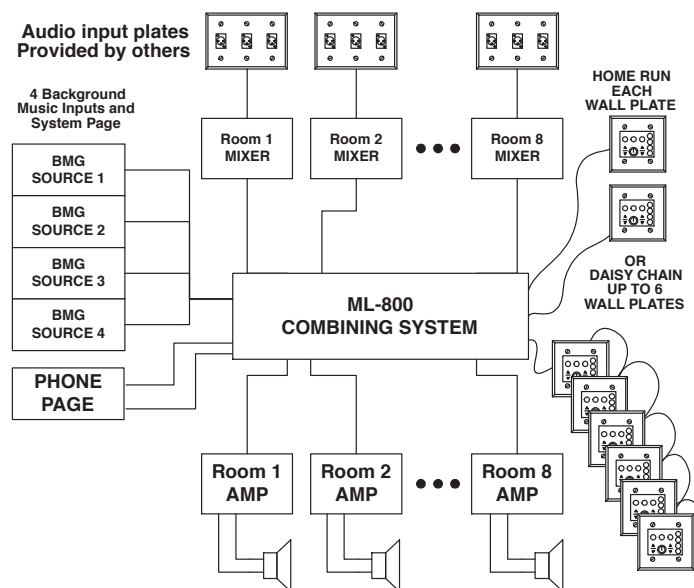
The ML – 800 goes beyond simple room combining system by providing distribution and control of 4 background music sources as well as paging. In room control is accomplished with either a membrane wall plate or a color LCD touch screen. The wall plate or touch screen can control the background music source and volume as well as the foreground audio volume. When rooms are combined, any changes made to one room automatically track to all combined rooms. A key switch or security code is built into the wall plate to prevent unauthorized changes from taking place.

FEATURES

NO PROGRAMMING REQUIRED

- NO PROGRAMMING Required
- 2 to 8 Room Control
- 4 Background Music Sources
- Contact Closure, AMX/Crestron, and Lutron Interfaces Available
- Membrane and Color LCD Touch Wall Plates Available
- Remote Monitor and Map Panel

TYPICAL ML-800 INSTALLATION



FSR Inc.

244 Bergen Boulevard, West Paterson, NJ 07424
 Phone: 973.785.4347 · Fax: 973.785.4207
 Order Desk: 1-800-332-FSR1
 Web: www.fsrinc.com · E-mail: sales@fsrinc.com

LIT1236A

SPECIFICATIONS

Audio

Frequency Response:	20 Hz – 20 kHz +/- .5 dB
THD:	.03% @ 1kHz with MAX Rated Input Level
MAX Input level:	+18 dBm
Noise Floor:	-90 dBm
Conditions:	Mixer Enables ON, Local Inputs ON, Nothing mixed, Inputs Open, Outputs 600 ohm terminated, Volume set to 0 dB
Volume preset:	-6 dB
Crosstalk:	-95 dB @ 1kHz, -78 dB @10 kHz Any Input to Any Output
Mic + Music Volume Control Range:	+10 dB to – 11 dB (Volume range adjustable from In-room controls)

Room Audio Inputs

Number and Type:	8 mono balanced
Connector used:	3 pin Phoenix
Impedance:	20k ohm
MAX Input Level:	+18 dBm
Input Gain:	0 dB and +10 dB gain, dip switch selectable (SW 16 on CPU card)

Background Music Inputs

Number and Type:	4 mono balanced
Connector used:	3 pin Phoenix
Impedance:	20k ohm
MAX Input Level:	+18 dBm
Trim level Adjust Range:	-6 dB to +20dB

Paging Input

Number:	1 mono balanced
Connector used:	3 pin Phoenix
Impedance:	20k ohm
MAX Input Level:	+18 dBm
Trim level Adjust Range:	-6 dB to +20 dB
Type:	All Page with two priority levels; normal (n) and priority (p)

Output

Number and Type:	8 mono balanced
Connector:	3 pin Phoenix
Impedance:	50 ohms
MAX Level:	+22 dBm into 600 ohms load

Power Input Ratings 100 /120 / 220 /240 VAC 50 /60 Hz Max 2A.

Mechanical Standard 19" rack by four rack units high

Wallplates Standard 2 gang

Available Accessories

Membrane Wall Plate
Color Touch Wall Plate
AMX / Crestron Interface
Facility Manager Package

Touchboards

205 Westwood Ave, Long Branch, NJ 07740
Phone: 866-94 BOARDS (26273) / (732)-222-1511
Fax: (732)-222-7088 | E-mail: sales@touchboards.com

FSR Inc.

244 Bergen Boulevard, West Paterson, NJ 07424
Phone: 973.785.4347 · Fax: 973.785.4207
Order Desk: 1-800-332-FSR1
Web: www.fsrinc.com · E-mail: sales@fsrinc.com



Specifications are subject to change without notice.