

# CI-5 Series

## Computer Interface Wallplate

# FSR

Video Products Group



### DESCRIPTION

#### CI-5LB

This is our latest addition to the AV interconnect product line. The CI-5LB is a high resolution active computer video interface with an HD-15 computer video input and a fully buffered HD-15 local monitor "loop through" output. It has a local unbalanced stereo mini jack input and converts the signal to balanced audio for noiseless operation. An RGBHV 5BNC equalized video output drives cable lengths up to 200'. This high bandwidth interface is packaged as a standard single gang wall plate. Designed by popular demand, this interface is ideal for applications requiring quick connectivity to a local workstation and a longer cable run to a projector or house display.

#### CI-5BWPA

The CI-5BWPA is an active Computer Video and Stereo Audio interface wall plate that sends video through a line driver with cable equalization allowing cable runs of up to 200 feet. The units' video output is through a 5 BNC female cable array. The Stereo Audio output is actively balanced and is available on a 5-position screw down terminal block.

#### PCI-5BWPA

The PCI-5BWPA is a high-resolution passive computer video and stereo audio interface single gang wall plate. It interconnects an HD-15 female connector mounted on the wall plate face to a 5 BNC female cable array. The audio source enters through a mini stereo plug, is transformer balanced, and outputs on screw down terminal blocks. The PCI-5BWPA is the perfect choice for any application that requires a convenient short distance connection point from your computer to your display.

All active CI-5 units are designed to precisely match the attenuation characteristics of FSR high resolution video cables. When used with FSR cables you can expect to achieve an unprecedented level of flatness in your video system. The Decora style faceplate color options are black, white or ivory. All units fit easily into any standard single gang box.

### APPLICATIONS

- Boardrooms
- Education
- Training Rooms
- Rentals
- Staging Events
- Conference Centers
- Videoconferencing

### FEATURES

- Power/Signal LED Indicator  
CI-5BWPA, CI-5LB
- Colors in Black, White or Ivory
- Balanced Audio
- Fit Standard Single Gang Openings
- Low Profile
- Adjustable Gain on CI-5BWPA and CI-5LB
- Fits in FSR IPS and Smart Fit Enclosures

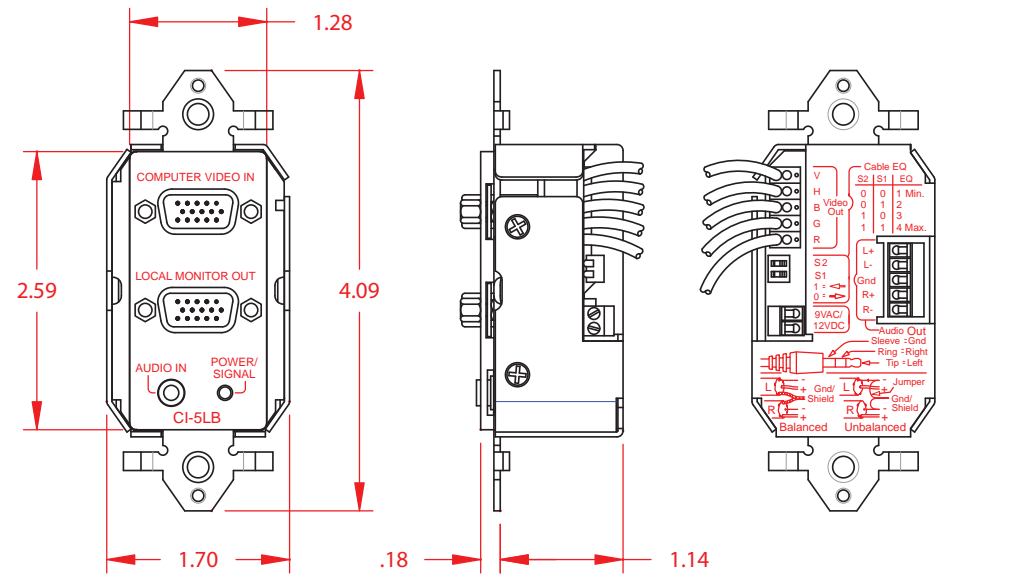
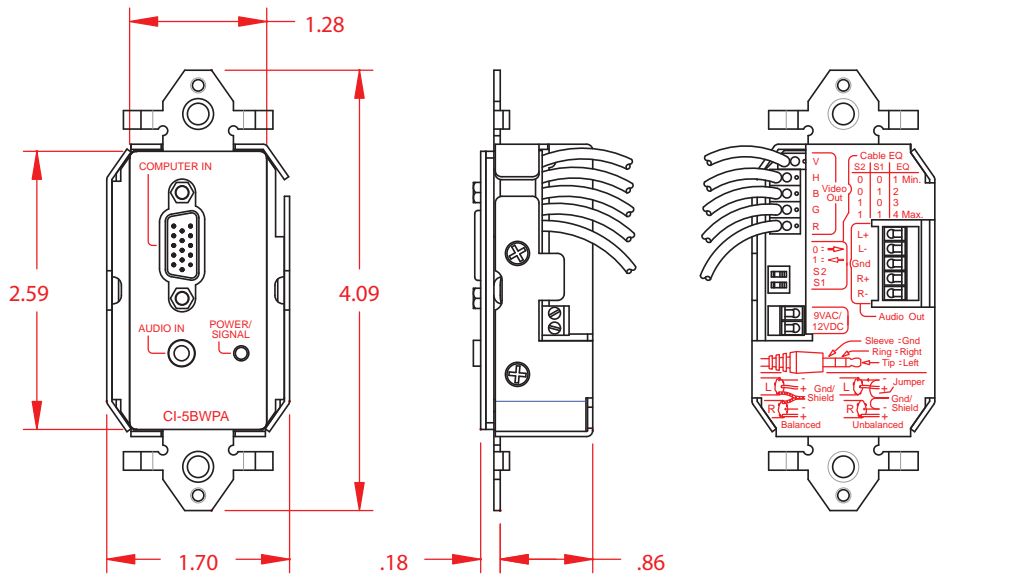
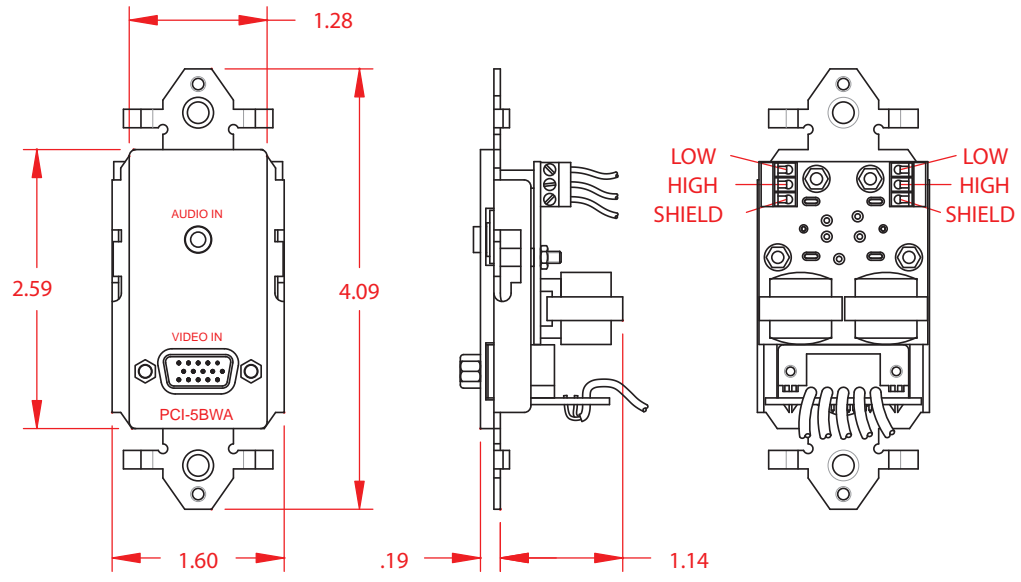
## Touchboards

205 Westwood Ave, Long Branch, NJ 07740  
Phone: 866-94 BOARDS (26273) / (732)-222-1511  
Fax: (732)-222-7088 | E-mail: sales@touchboards.com

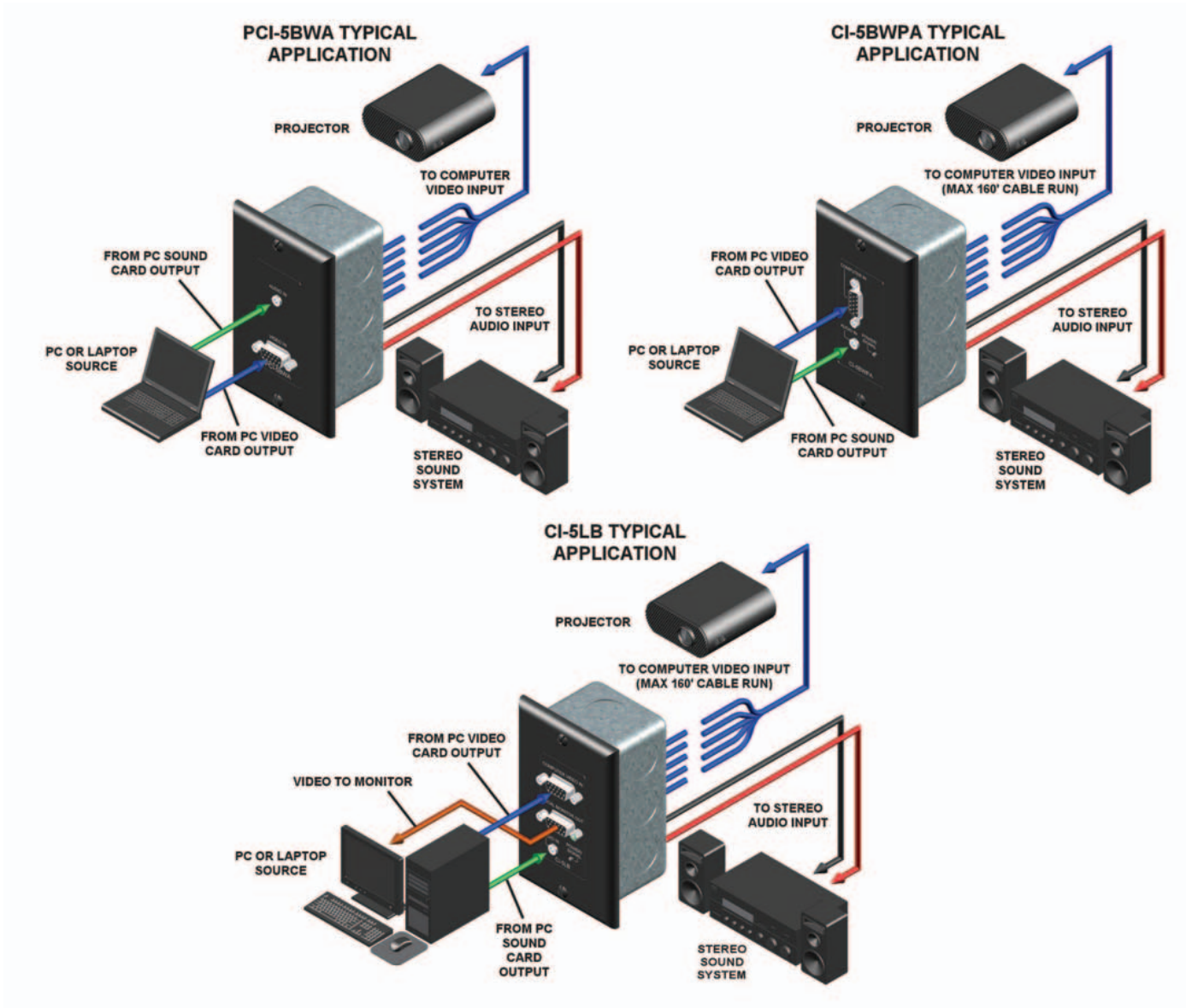
### FSR Inc.

244 Bergen Boulevard,  
West Paterson, NJ 07424  
Phone: 973.785.4347  
Fax: 973.785.4207  
Web: www.fsrinc.com  
E-mail: sales@fsrinc.com

# CI-5 SERIES DIMENSIONS



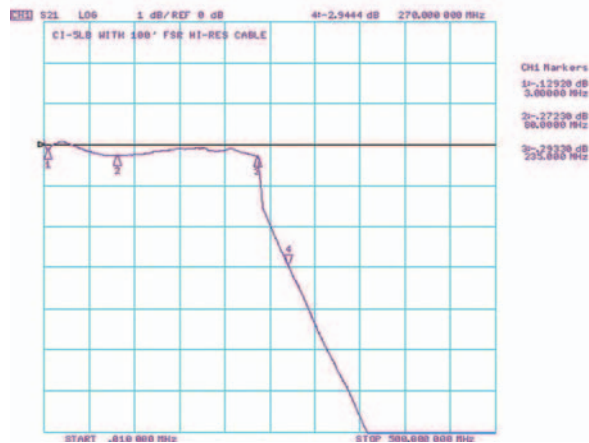
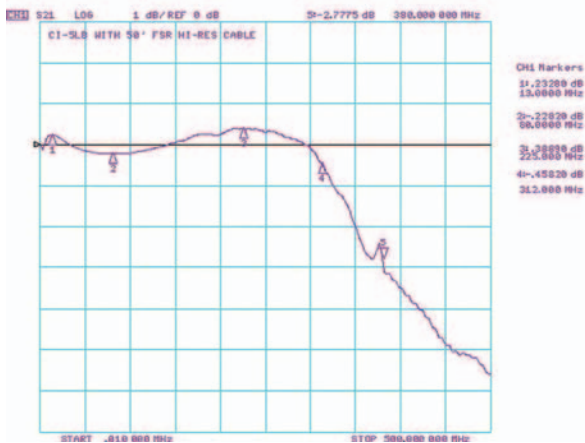
# TYPICAL APPLICATIONS



# RESPONSE CURVE GRAPHS

CI-5LB Performance with FSR 50' Hi-Res Cable 380MHz @ -3dB +/- 0.4dB to 312MHz

CI-5LB Performance with FSR 100' Hi-Res Cable 270MHz @ -3dB +/- 0.3dB to 235MHz



# TECHNICAL SPECIFICATIONS

## VIDEO INPUT

Number/type: 1 VGA / SVGA / XGA / SXGA / UXGA / RGBHV / RGBS / RGsB / RsGsBs  
Connectors: One 15 pin HD female  
Level (nominal): Analog 0.7v p-p  
Level (maximum): 2v p-p  
Impedance: 75 ohms

## VIDEO OUTPUT

Number/type: 1 VGA / SVGA / XGA / SXGA / UXGA / RGBHV / RGBS / RsGsBs  
Connectors: 4" Pig-tail of 5 female BNC's ( RGBHV )  
Bandwidth: 700MHz @ -3.0dB (5 BNC output)  
400MHz @ -3.0dB (HD-15 loopback output)  
Level (nominal): Unity / User adjustable via DIP switch settings  
Gain: OFF = 0' to 75' LOW = 75' to 125'  
MEDIUM = 125' TO 175 HI = 175' to +200'  
Impedance: 75 ohms

## AUDIO

Bandwidth:  
THD + Noise:  
Noise Floor:  
Stereo separation:  
Audio Gain

### CI-5BWPA/CI-5LB

20 Hz to 20 kHz (+/-0.05dB)  
0.01% @ 20 kHz at rated Max Output S/N >98dB  
Better than 98dB  
-90dB @ 1 kHz  
+6dB

### PCI-5BWPA

100 Hz to 15kHz (+/-2dB)  
0.5% between 275 Hz-3.5kHz  
NA  
-40dB @ 1kHz  
0dB with 1.5dBm max insertion loss

## AUDIO INPUT

Number/type: 1 stereo unbalanced  
Connectors: 1/8" mini connector  
Impedance: 10K ohms DC coupled unbalanced  
Max level: +6dBm

1 stereo unbalanced  
1/8" mini connector  
600 ohms  
+20dBm

## AUDIO OUTPUT

Number/type: 1 Balanced / Unbalanced Stereo  
Connector: 5 Position Captive screw terminal  
Impedance: 50 ohm  
Maximum Level: 600 ohms: +12dBm Balanced / +6dBm Unbalanced  
Hi - Z: +14dBm Balanced / +8dBm Unbalanced

1 Balanced / Unbalanced Stereo  
2, 3 position captive screw terminals  
600 ohms  
+20dBm

## SYNC

Input level: 2.0v to 5.0v p-p  
Output level: TTL to 5.0v p-p  
Input Impedance: 475 ohms  
Output impedance: 75 ohms  
Polarity: Positive or negative  
Horizontal frequency: 15kHz - 200kHz  
Vertical frequency: 30 Hz - 150 Hz

## GENERAL

Power: 9v AC / DC, 50/60 Hz: 8 – 14v DC, 9v AC Power Supply included. May be remotely located up to 150 feet away from the wallplate when using 22 Gage / 2 Conductor cable.  
Mounting: Single – Gang Decora Wallplate ( Included )  
Colors: Black, White, Ivory  
Enclosure Type: Metal  
Size: 4.094" H x 1.706" W x 0.65" D  
Approvals: UL / CE

## FSR Inc.

244 Bergen Boulevard, West Paterson, NJ 07424  
Phone: 973.785.4347 · Fax: 973.785.4207  
Web: www.fsrinc.com · E-mail: sales@fsrinc.com

Specifications are subject to change without notice