

# SMWB Series

## Surface Mount Wall Box

# FSR

## Metal Products Group

SMWB Wall Boxes



SWMB-1  
White or Black



SWMB-2  
White or Black



SWMB-3  
White or Black



SWMB-4  
White or Black

### DESCRIPTION

FSR's SMWB series of surface mount wall boxes are designed for surface mounting of standard wall plates. They can be used to conveniently mount accessories for FSR or any other manufacturer's controls, switch panels, keypads and IPS wall plates. Rugged construction make these boxes ideal for indoor commercial and industrial applications. Available in 1,2,3,and 4 gang models to satisfy most applications.

Mounting holes allow for fixed mounting on virtually any wall surface so the accessory plates are easily accessed. The four models are available in textured black or white paint. Standard concentric knockouts facilitate convenient wiring and installation.

### FEATURES

- 16-gauge galvanized steel construction
- Black or White textured paint
- Convenient surface mounting
- Compatible with most standard gang components, plates and covers
- Two 1/2-3/4" Concentric knockouts for conduit

### APPLICATIONS

- Schools
- Hotels
- Conference Centers
- Airports
- Arenas
- Houses of Worship

### ORDERING INFORMATION

Item#	Part #	Description
17185	SMWB-1G-WHT	1 Gang Surface Mount Gang Box - White
17186	SMWB-1G-BLK	1 Gang Surface Mount Gang Box - Black
17187	SMWB-2G-WHT	2 Gang Surface Mount Gang Box - White
17188	SMWB-2G-BLK	2 Gang Surface Mount Gang Box - Black
17189	SMWB-3G-WHT	3 Gang Surface Mount Gang Box - White
17190	SMWB-3G-BLK	3 Gang Surface Mount Gang Box - Black
17191	SMWB-4G-WHT	4 Gang Surface Mount Gang Box - White
17192	SMWB-4G-BLK	4 Gang Surface Mount Gang Box - Black

# Touchboards

205 Westwood Ave, Long Branch, NJ 07740  
Phone: 866-94 BOARDS (26273) / (732)-222-1511  
Fax: (732)-222-7088 | E-mail: sales@touchboards.com

Objects pictured are not to scale.

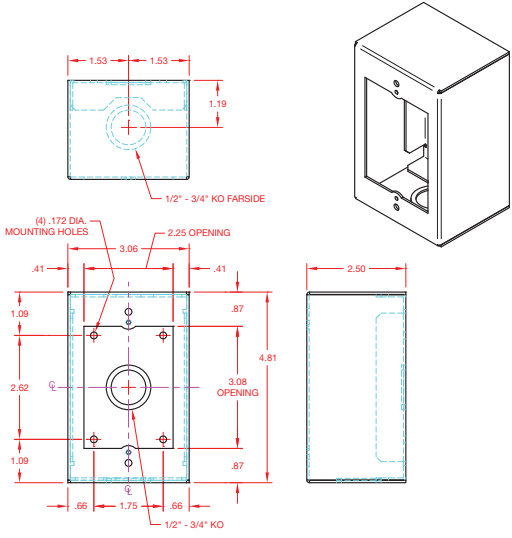
## FSR Inc.

244 Bergen Boulevard, Woodland Park, NJ 07424  
Phone: 973.785.4347 · Fax: 973.785.4207  
Web: www.fsrinc.com · E-mail: sales@fsrinc.com  
Order Desk: 1-800-332-FSR1

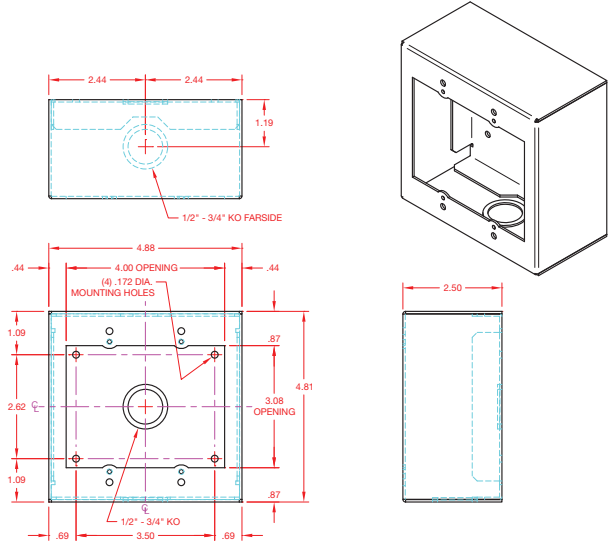
LIT1351

# SMWB DIMENSIONS

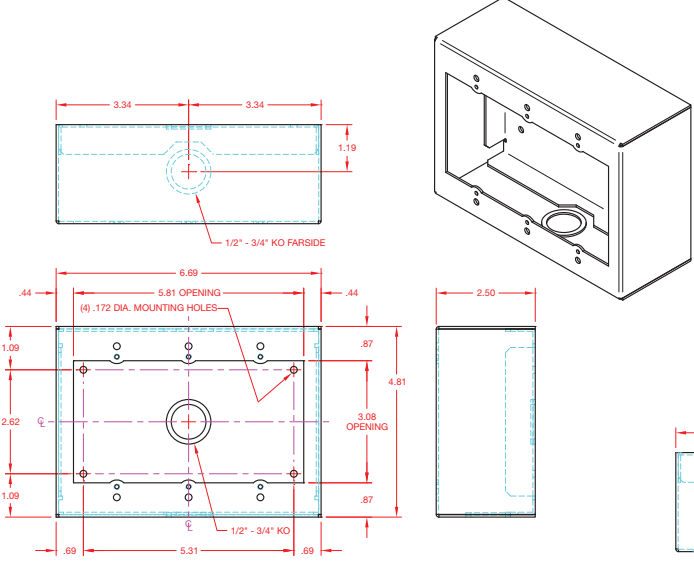
## SMWB-1G



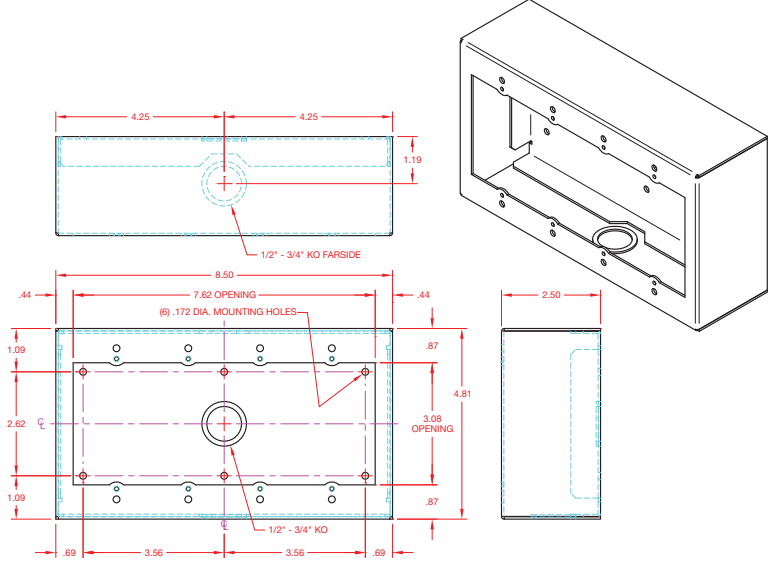
## SMWB-2G



## SMWB-3G



## SMWB-4G



Specifications are subject to change without notice.



244 Bergen Boulevard, Woodland Park, NJ 07424  
 Phone: 973.785.4347 · Fax: 973.785.4207  
 Web: [www.fsrinc.com](http://www.fsrinc.com) · E-mail: [sales@fsrinc.com](mailto:sales@fsrinc.com)