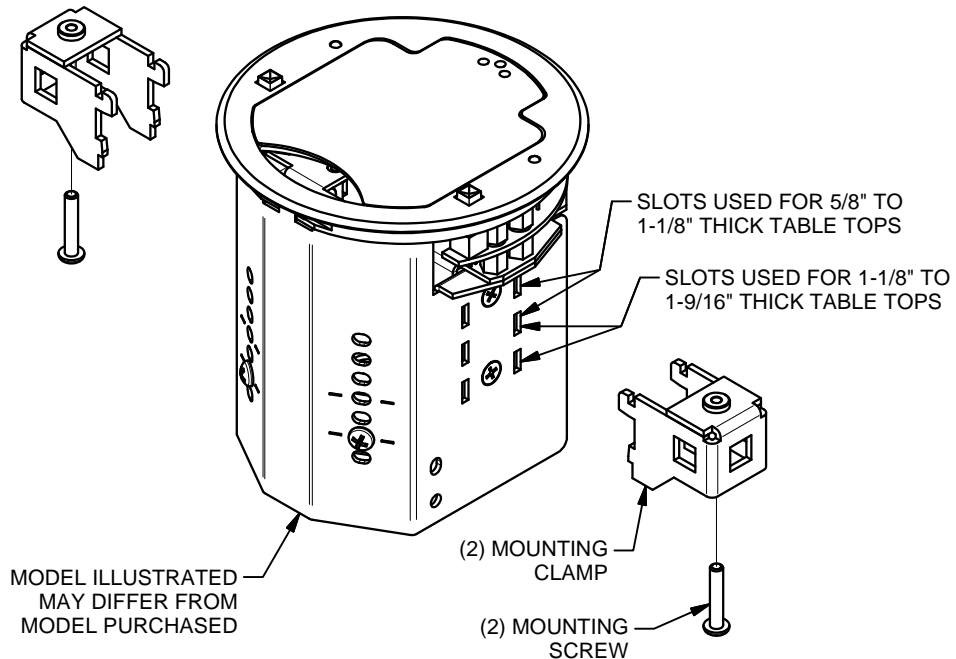
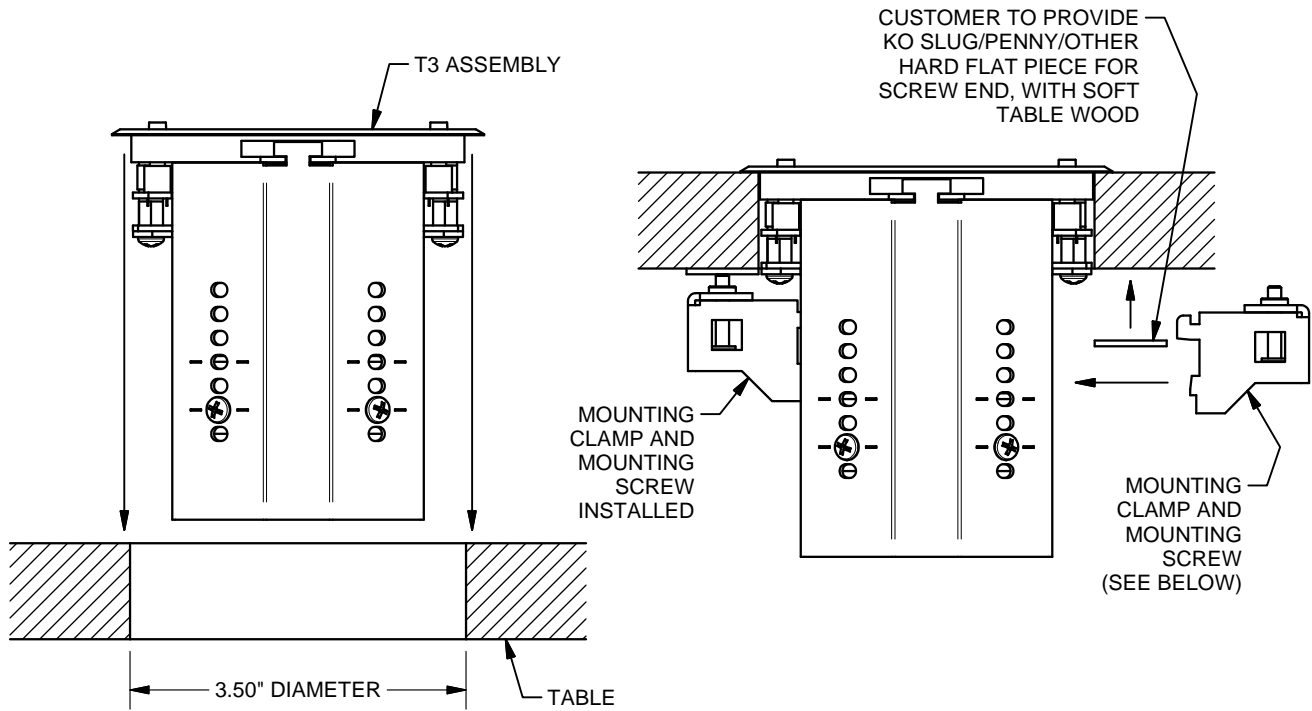


1. DRILL 3.50" DIAMETER HOLE IN TABLE TOP.
2. INSERT T3 ASSEMBLY AND ORIENT AS REQUIRED.
3. INSTALL MOUNTING CLAMPS TO ASSEMBLY AND SECURE TO TABLE BY SCREWING MOUNTING SCREWS TO UNDERSIDE OF TABLE.
4. MAKE ELECTRICAL CONNECTIONS AS REQUIRED.



# T3-IPS TABLE BOX WIRING PINOUT FOR ONE AND TWO BUTTON / LED MODELS

## SWITCH / LED PC BOARD

