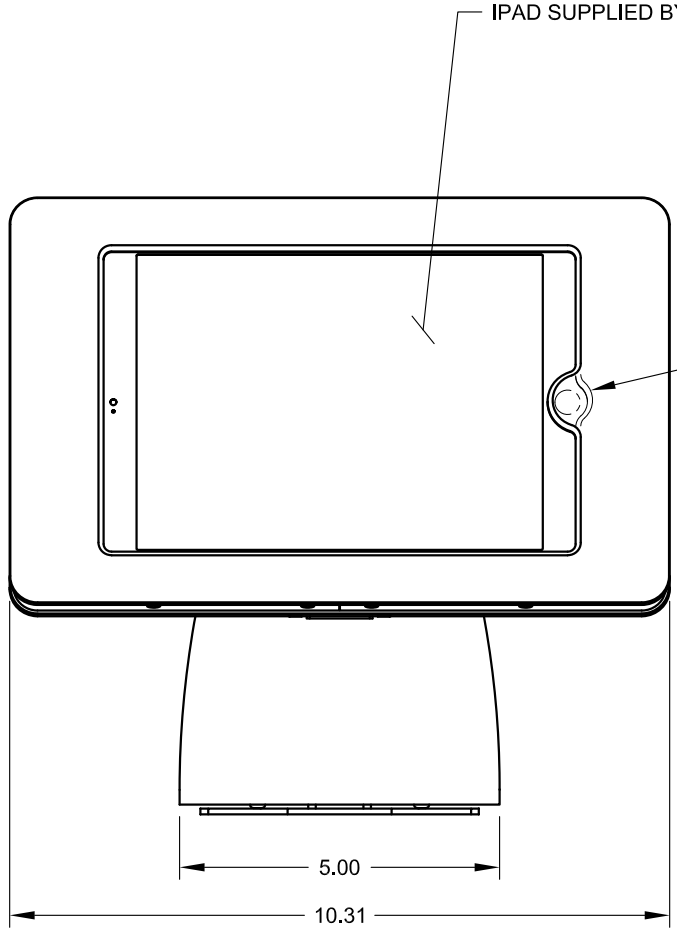


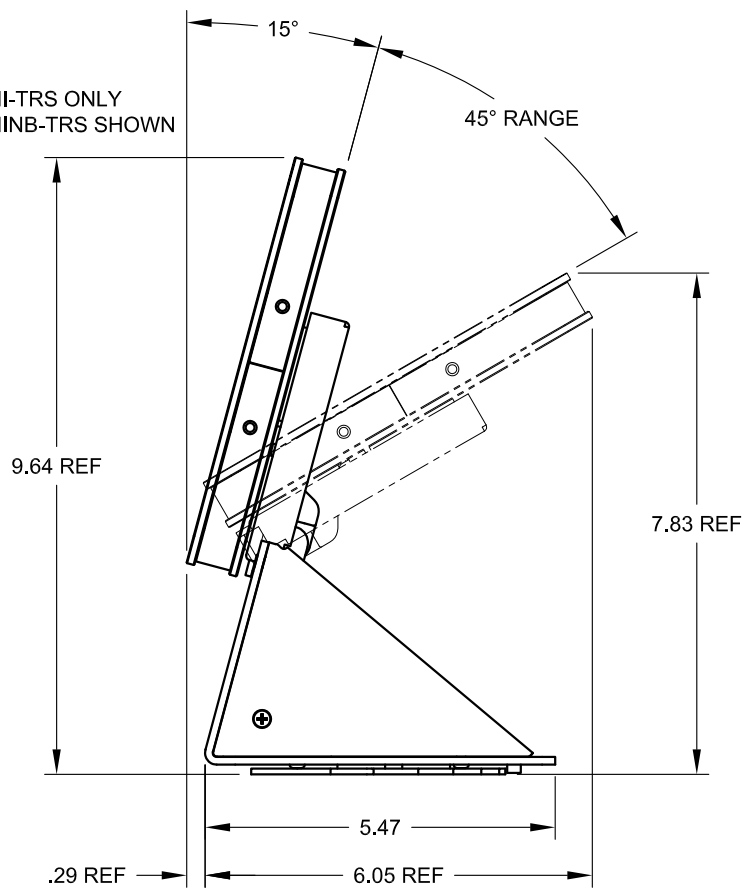
TM-IPMINI-TRS
TM-IPMINIB-TRS

FSR inc.
244 BERGEN BLVD.
WOODLAND PARK, NJ 07424
TEL (973) 785-4347
FAX (973) 785-3318

TITLE: SCREW-MOUNTED SWIVEL TABLE MOUNT IPAD-MINI		
DRAWN BY: JRE	DATE: 05/07/13	REV: -
DWG#: TM-IPMINI-TRS	PAGE: 1 OF 2	SCALE: -



TM-IPMINI-TRS ONLY
TM-IPMININB-TRS SHOWN



TM-IPMINI-TRS
TM-IPMININB-TRS

FSR inc.
244 BERGEN BLVD.
WOODLAND PARK, NJ 07424
TEL (973) 785-4347
FAX (973) 785-3318

TITLE: SCREW-MOUNTED SWIVEL TABLE MOUNT IPAD-MINI			
DRAWN BY: JRE	DATE: 05/07/13	REV: -	
DWG#: TM-IPMINI-TRS	PAGE: 2 OF 2	SCALE: -	