

4

3

2

1

C

C

B

B

A

A

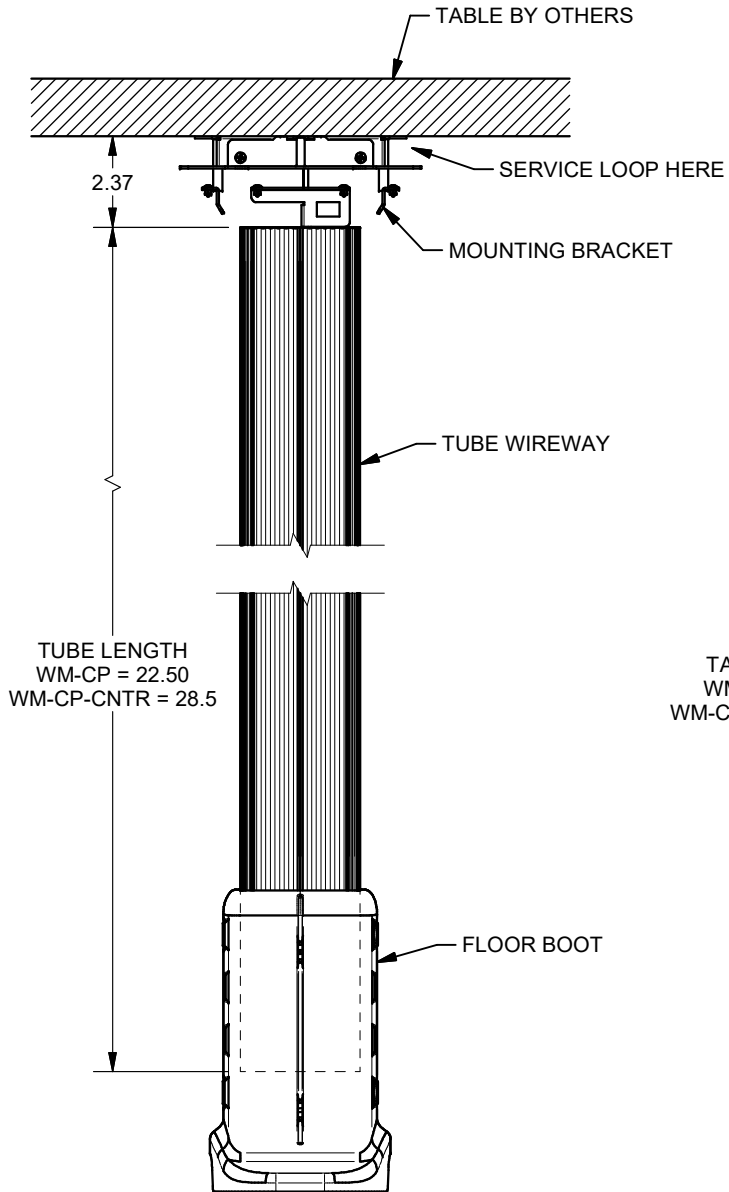
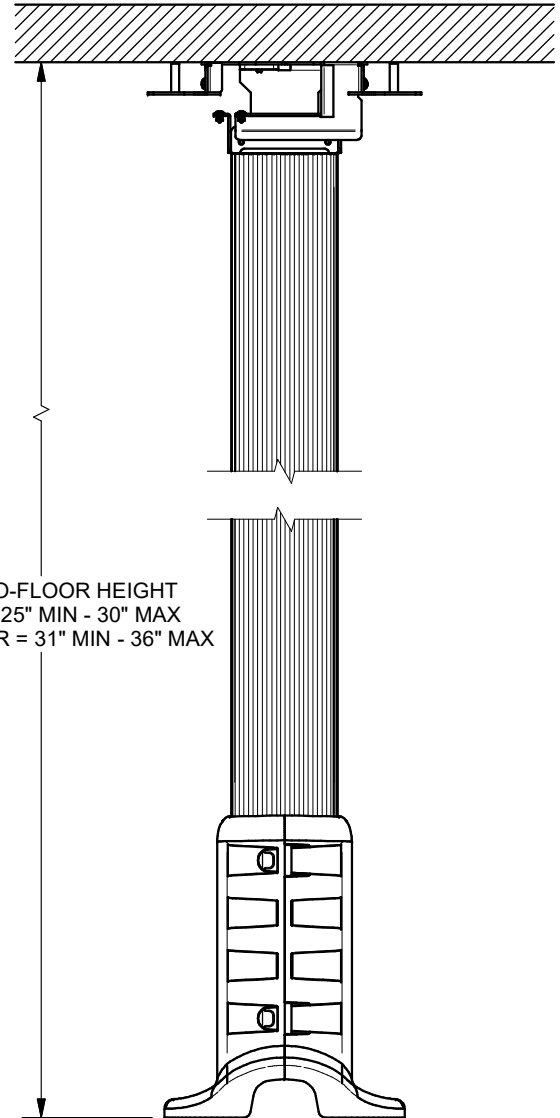


TABLE-TO-FLOOR HEIGHT
WM-CP = 25" MIN - 30" MAX
WM-CP-CNTR = 31" MIN - 36" MAX



FSR inc.
244 BERGEN BLVD.
WOODLAND PARK, NJ 07424
TEL (973) 785-4347
FAX (973) 785-3318

TITLE: WM-CP / WM-CP-CNTR		
DRAWN BY: JRE	DATE: 9/18/17	REV: -
DWG#: WM-CP & WM-CP-CNTR	SCALE: -	

4

3

2

1