

# WM-UTR1S

## Under Table Rack Shelf

# FSR

## Metal Products Group

WM-UTR1S



Shown with WM-UTC Under Table Channel (ordered separately)

Opened



Closed

### DESCRIPTION

The WM-UTR1S Under Table Rack Shelf solution is for applications where designers would like to mount multiple pieces of AV, Digital, or data equipment to the underside of a conference or huddle table and still easily access the equipment for servicing or upgrading at a later date.

The WM-UTR1S can easily be mounted under most Conference And Huddle Tables. It provides one RU (19") of standard mounting area including two removable Rack Rails for ease of mounting.

The entire lower shelf section can be completely removed from the fixed upper section to allow for equipment / cable installation, adjustments and replacement on the table or work surface. The lower shelf can then be easily returned to service and locked in place.

There are numerous locations for attaching equipment and gear via tie wraps. The rear cable exit areas allow seamless integration with FSR's Wire Marshall WM-UTC Under Table Channel for ease of cable management. (See back and LIT1665 for details.)

### APPLICATIONS

- Conference Room Tables
- Collaboration Tables
- Classrooms
- Multi-Purpose Tables
- Lab Tables
- Court Rooms

### FEATURES

- Easy to install
- Can be mounted in a wide variety of tables
- Easy access to equipment for servicing or upgrading
- Built in Lock
- Two stage safety release
- Small and compact

### FSR Inc.

244 Bergen Boulevard, Woodland Park, NJ 07424

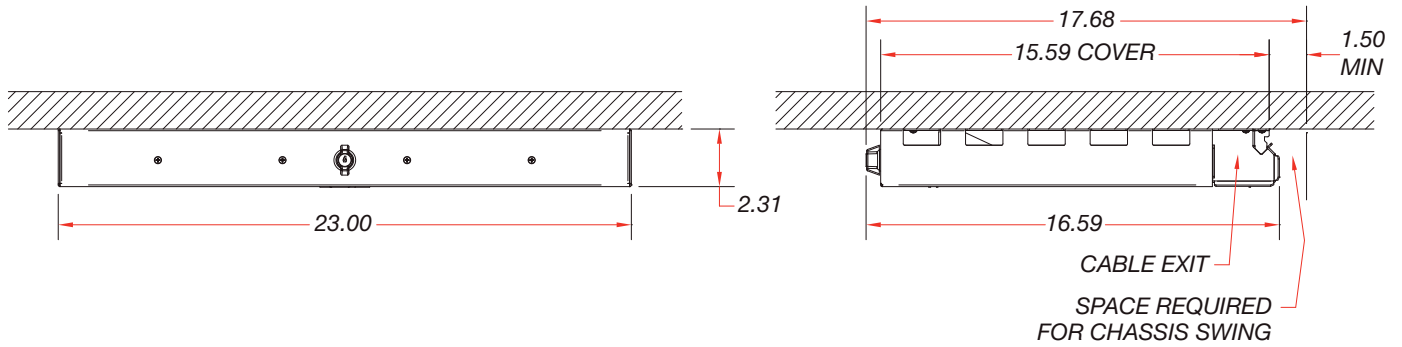
Phone: 973.785.4347 · Fax: 973.785.4207

Order Desk: 1-800-332-FSR1

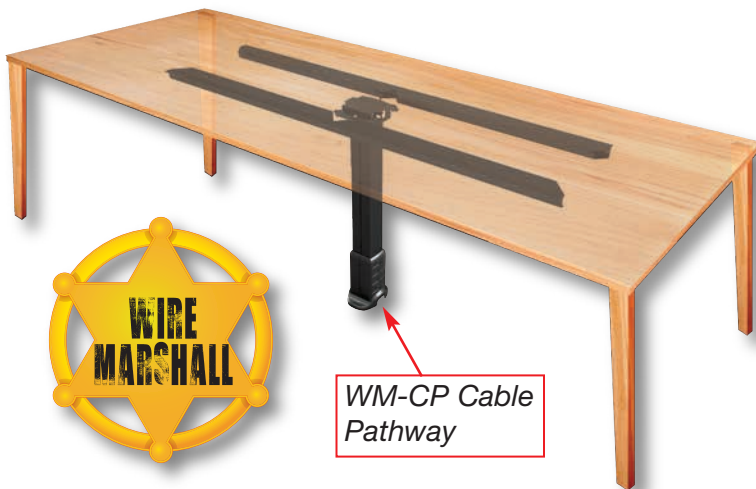
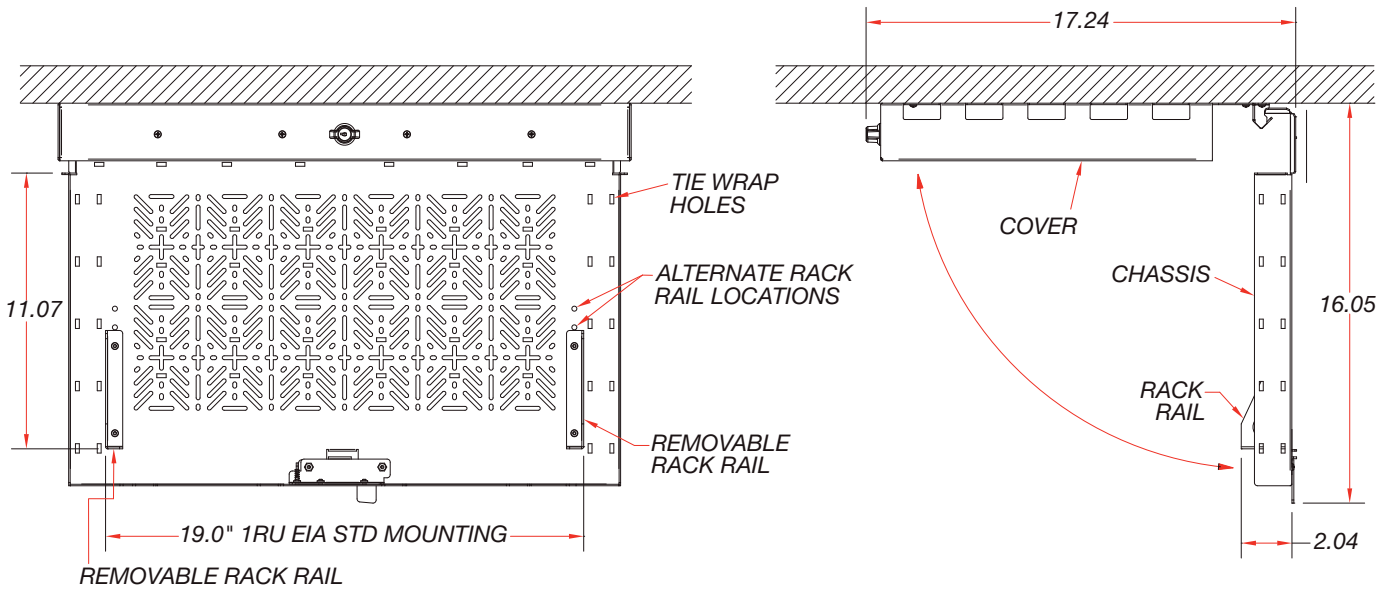
Web: [fsrinc.com](http://fsrinc.com) · E-mail: [sales@fsrinc.com](mailto:sales@fsrinc.com) LIT1684

# DIMENSIONS

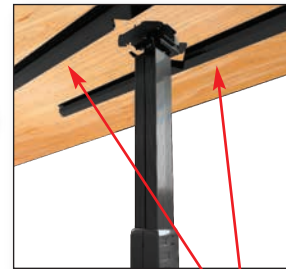
## CLOSED POSITION



## OPENED POSITION



WM-CP Cable Pathway



WM-UTC Under Table Channel

See LIT1665 for details.