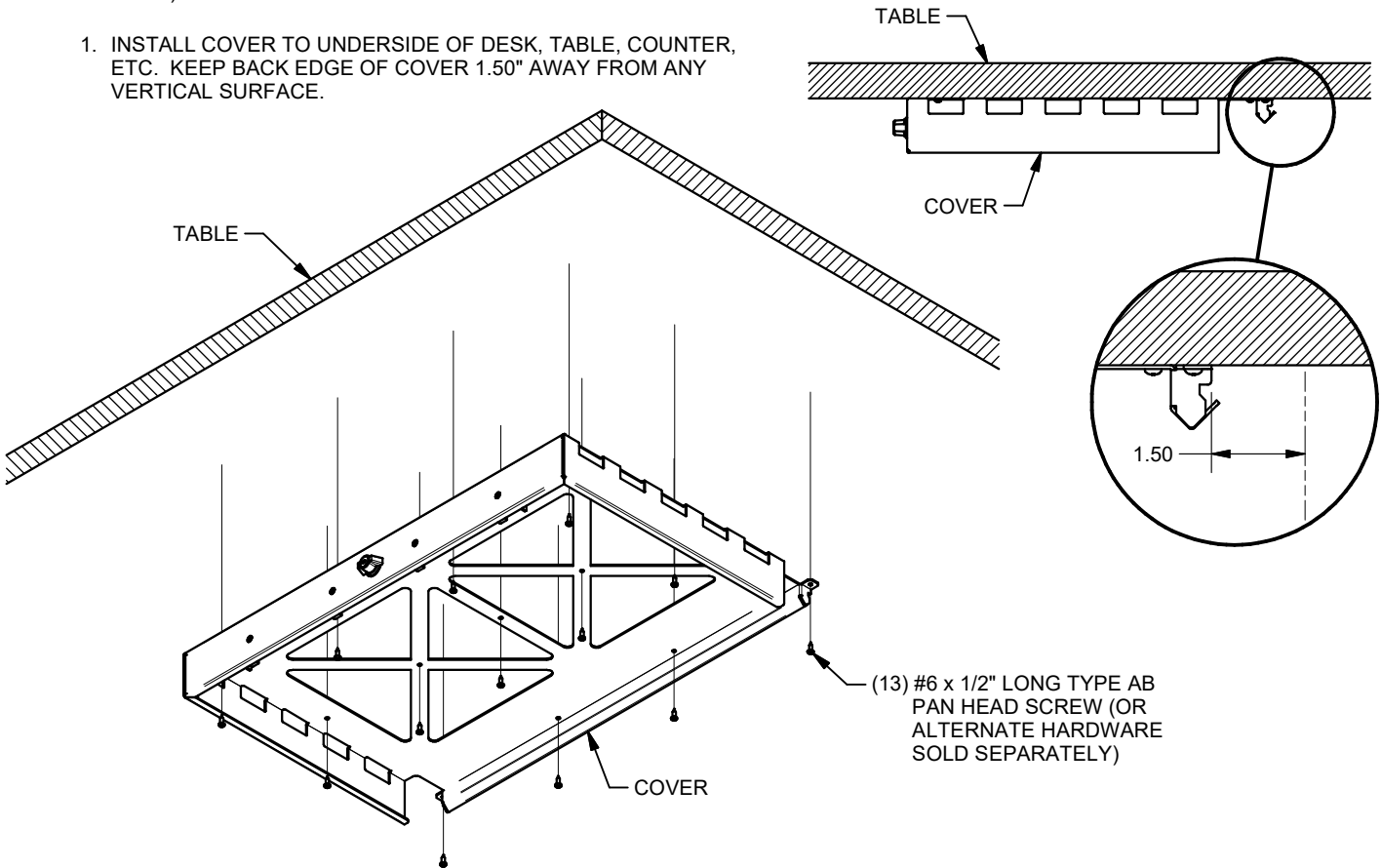
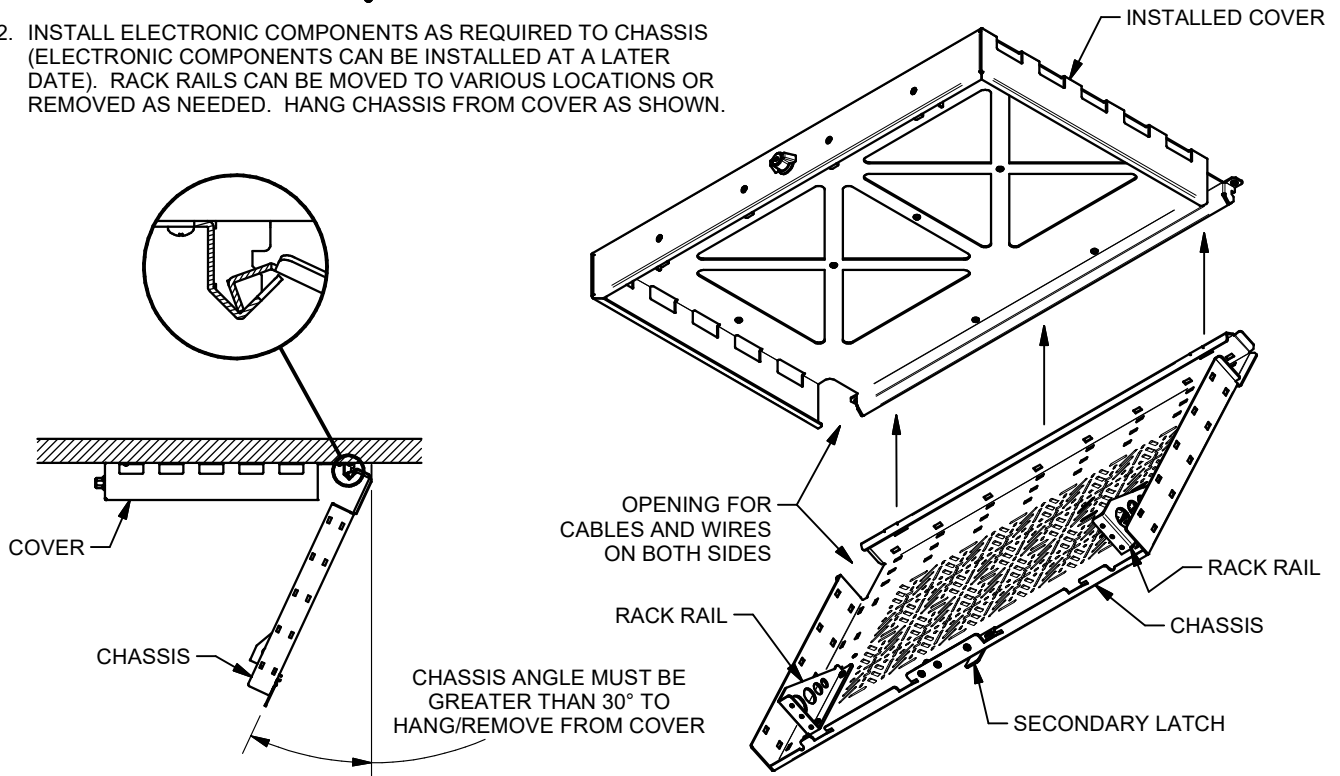


INSTALLATION AND WIRING OF ELECTRONIC COMPONENTS (SOLD SEPARATELY) CAN BE DONE DURING OR AFTER INSTALLATION.

1. INSTALL COVER TO UNDERSIDE OF DESK, TABLE, COUNTER, ETC. KEEP BACK EDGE OF COVER 1.50" AWAY FROM ANY VERTICAL SURFACE.



2. INSTALL ELECTRONIC COMPONENTS AS REQUIRED TO CHASSIS (ELECTRONIC COMPONENTS CAN BE INSTALLED AT A LATER DATE). RACK RAILS CAN BE MOVED TO VARIOUS LOCATIONS OR REMOVED AS NEEDED. HANG CHASSIS FROM COVER AS SHOWN.



3. TO CLOSE UNIT LIFT CHASSIS UP TO COVER. SECONDARY LATCH WILL PREVENT CHASSIS FROM CLOSING INTO COVER. SQUEEZE SECONDARY LATCH TO COMPLETELY CLOSE UNIT AND LOCK CHASSIS IN PLACE BY ROTATING KEY LOCK TO CLOSED POSITION.
4. TO OPEN UNIT ROTATE KEY LOCK TO OPEN POSITION. SECONDARY LATCH WILL PREVENT CHASSIS FROM DROPPING OPEN. SQUEEZE SECONDARY LATCH TO COMPLETELY OPEN UNIT. OPEN SLOWLY TO AVOID DAMAGE TO ELECTRONIC COMPONENTS. CHASSIS CAN BE REMOVED FROM COVER TO SERVICE COMPONENTS.

