



DESCRIPTION

FSR's USB 3.1 Gen 2 Type-C® Digital Ribbon cables are designed for today's high-end peripheral devices that use a USB Type-C® connector to transfer data. The hybrid fiber/copper cables deliver a speed of 10Gbps data transfer without signal loss or delay. The cables can support the connection between a USB-C® camera, hard drive, PC, or laptop. Each cable is fitted with a discreet black jacket with the connector shells being labeled "HOST" and "DEVICE" to aid in proper connection. Digital Ribbon USB Type-C® cables deliver superior performance while providing a reliable plug-and-play user experience. The cables support a 5V/900 mA transfer limit which will power most conferencing cameras. This cable does not support "USB-C® Power Delivery or Alternate Mode."

FEATURES

- Supports USB 3.1 Gen 2 10Gbps data rate
- Provides power to most conferencing cameras
- Offered in 10m and 15m lengths
- Supports Windows & Apple iOS
- Plug & Play without the need for software
- Enhanced Pull Strength of 15kg/33lbs
- Plenum Rated - Type CMP/FT6



ORDERING INFORMATION

Item #	Description	Length Meters	Length Feet
18555	DR-C3.1-10M GEN-2 10Gbps USB-C to USB-C Optical Cable	10	33'
18556	DR-C3.1-15M GEN-2 10Gbps USB-C to USB-C Optical Cable	15	50'

USB Type-C and USB-C are registered trademarks of USB Implementers Forum, Inc. This product is not USB-C certified.



Specifications are subject to change without notice.

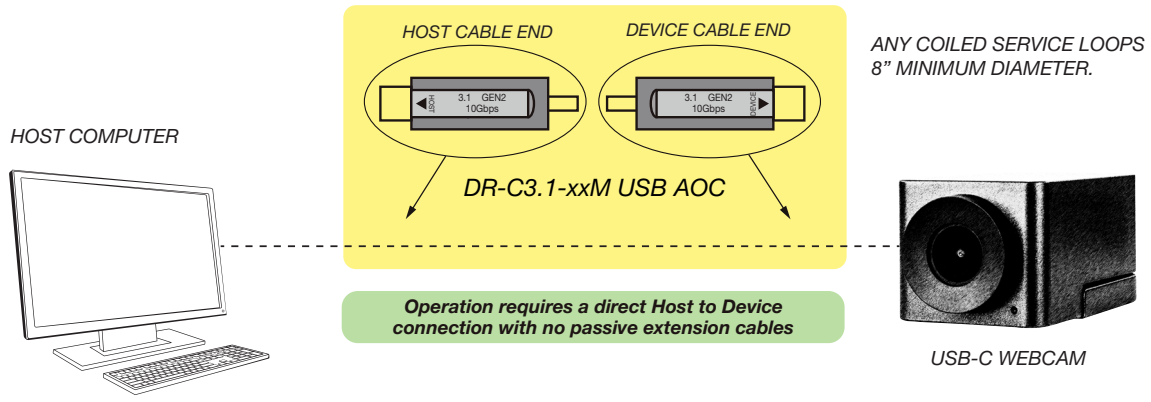
FSR Inc.

244 Bergen Boulevard, Woodland Park, NJ 07424
 Phone: 973.998.2300 · Fax: 973.785.4207
 Toll Free: 1-800-332-FSR1
 Web: www.fsrinc.com · E-mail: sales@fsrinc.com

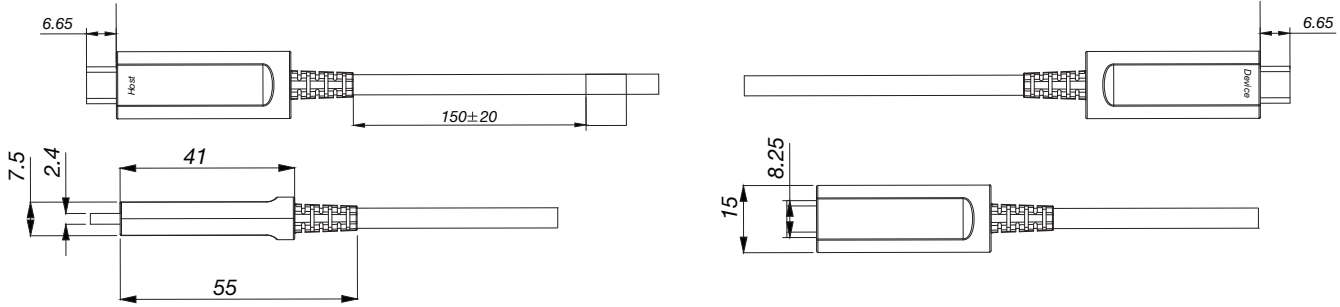
SPECIFICATIONS

Performance Characteristics	
Video Connectors	USB-C (male) / USB-C (male)
Maximum Length	50' (15 meters)
Cable Dimensions	0.2" (5mm) dia.
Compliance	CE
Total Power Consumption	< 0.50 W
Power Transfer Limit	5V/900 mA
Endurance at Bend Radius	Over 10k cycles at 2" (50 mm) Radius
Minimum Bend Radius	0.5" (13mm)
Maximum Tensile Load	15kg/33lbs
Environmental Performance	
Operating Temperature Range	+32° F to +122° F (0 ° to +50°C)
Maximum Operating Humidity	85%
Storage Temperature Range	-22° to +122° F (-30° to +50°C)
Product Specifications	
Support USB 3.1 Gen 2 10Gbps data rate	
USB-C (male) / USB-C (male)	
EMI / EMC: FCC Class B, CISPR 32	
Plenum Rated - Type CMP/FT6	

APPLICATIONS



DIMENSIONS



FSR Inc.

244 Bergen Boulevard Woodland Park, NJ 07424
 Phone: 973.998.2300 · Fax: 973.785.4207 · Toll Free: 1-800-332-FSR1
 Web: www.fsrinc.com · E-mail: sales@fsrinc.com

USB Type-C and USB-C are registered trademarks of USB Implementers Forum, Inc. This product is not USB-C certified.