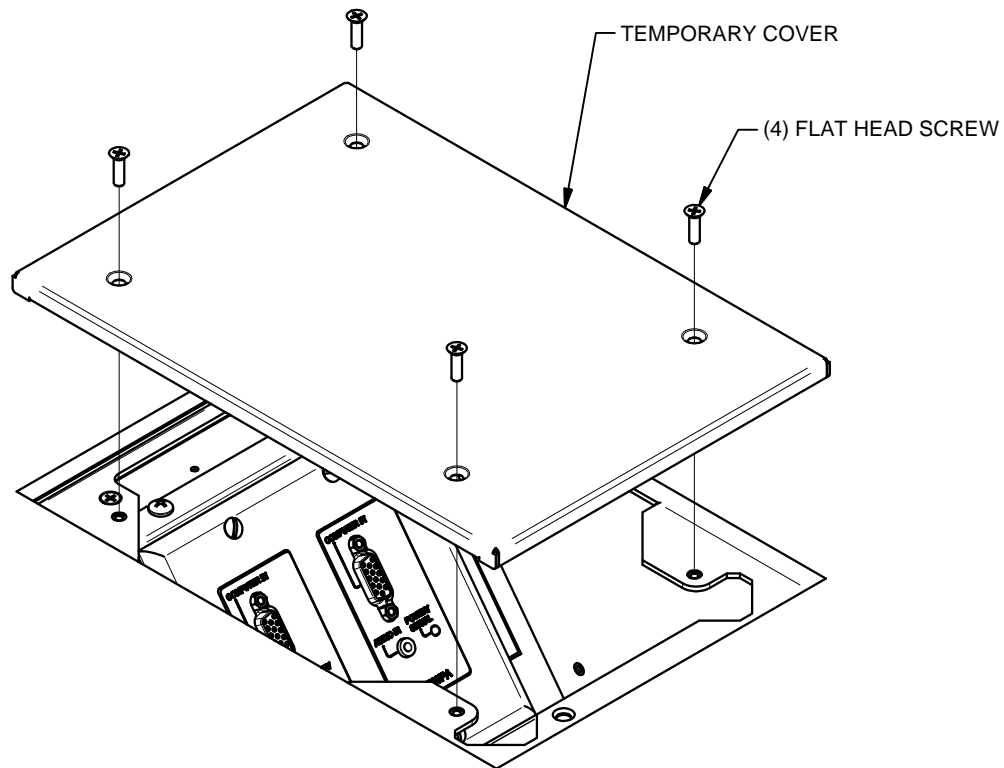


# FSR

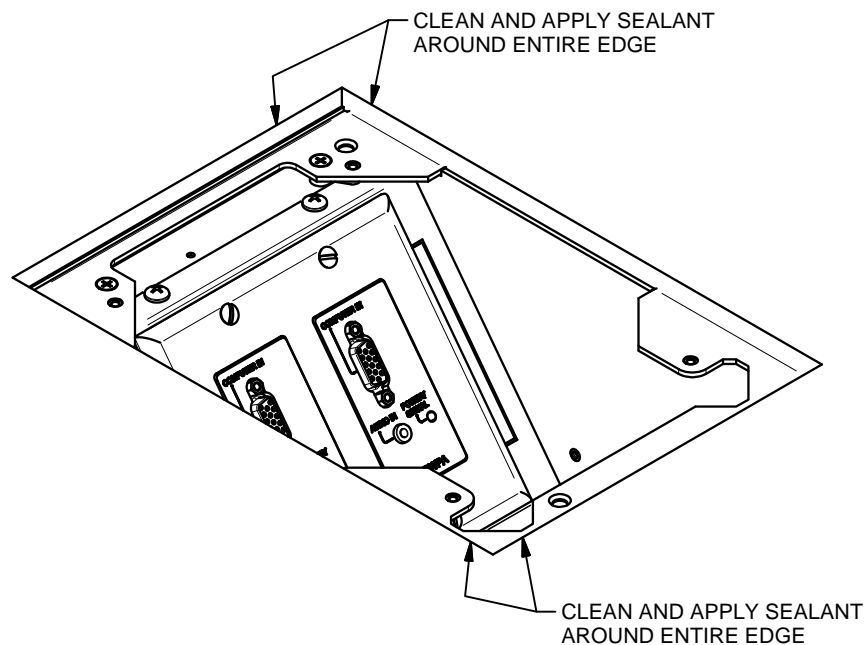
## FL-200 COVER INSTALLATION INSTRUCTIONS

244 Bergen Boulevard, Woodland Park, NJ 07424, Phone: 973.785.4347 - Fax: 973.785.4207

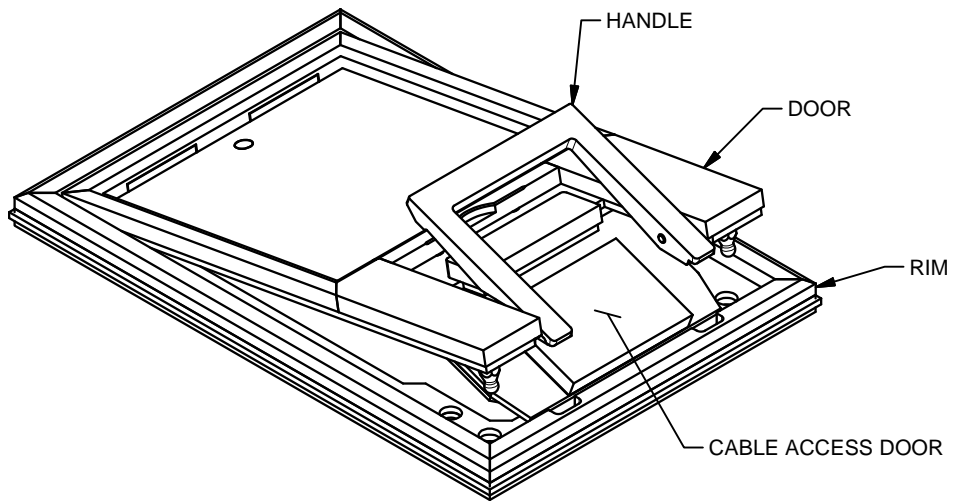
1. REMOVE AND DISCARD TEMPORARY COVER AND SCREWS.



2. INSTALL CABLE INTERFACES AND CONNECTOR PLATES IF PREVIOUSLY NOT INSTALLED. CLEAN AREA IN AND AROUND ENTIRE TOP EDGE OF BOX AND APPLY 1/4" CONTINUOUS BEAD OF RTV SILICONE SEALANT.



- REMOVE DOOR BY LIFTING AND PULLING HANDLE UPWARD AS SHOWN (CABLE ACCESS DOOR WILL FALL INWARD IF NOT ALREADY OPEN).



- INSTALL RIM WITH SUPPLIED FLAT HEAD SCREWS. REVERSE DOOR REMOVAL STEPS TO REINSTALL DOOR AND PUSH FIRMLY ON HANDLE-END CORNERS TO SNAP DOOR SECURELY IN PLACE. INSTALL FINISHED FLOORING MATERIAL.

AFTER FINISHED FLOOR INSTALLATION, REMOVE DOOR AND CONNECT CABLES AS REQUIRED. SWING CABLE ACCESS DOOR ONTO VELCRO ON UNDERSIDE OF DOOR AND REINSTALL DOOR.

NOTE: COVER SHIM KIT (FL-200-CSK) MAY BE REQUIRED TO SET THE HEIGHT OF BOX "PRE-POUR" SO THE TOP OF FINISH COVER MATCHES TOP OF FINISHED FLOOR.

