

4

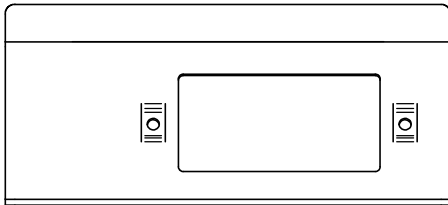
3

2

1

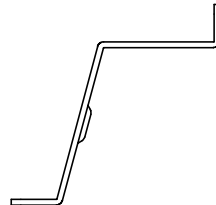
C

C



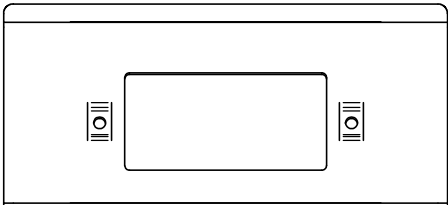
1

P/N: 53334 - GANG INSERT PLATE (1 SUPPLIED)
 HARDWARE REQUIRED:
 P/N: 11511 - #8-32 x 1/4" LONG PAN HEAD SCREW
 (2 REQUIRED PER PLATE)



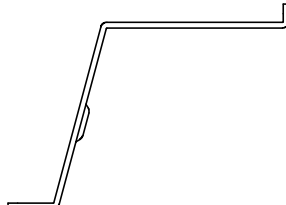
B

B



2

P/N: 53335 - GANG INSERT PLATE (1 SUPPLIED)
 HARDWARE REQUIRED:
 P/N: 11511 - #8-32 x 1/4" LONG PAN HEAD SCREW
 (2 REQUIRED PER PLATE)



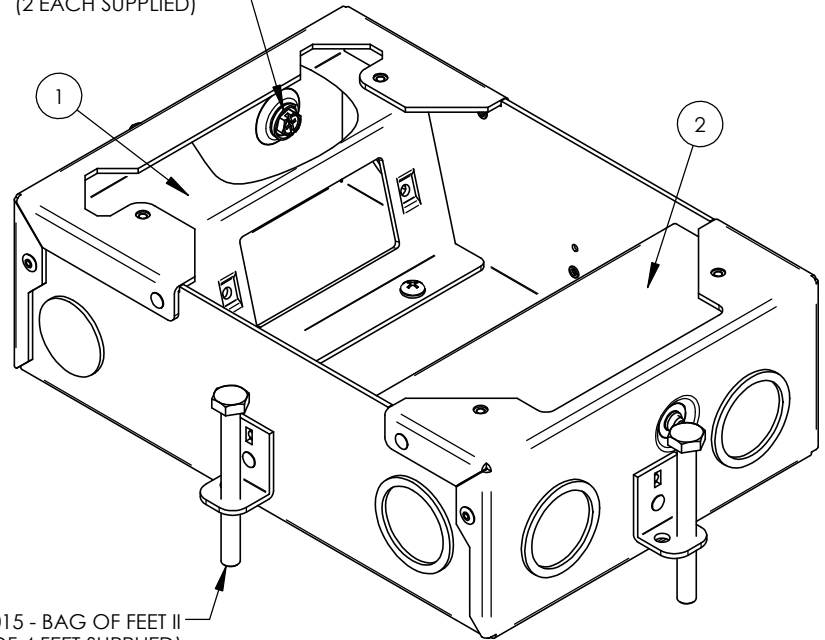
A

A

P/N: 47829 - #10-32 HEX
 SLOT GROUND SCREW
 P/N: 13441 #10 WASHER
 TERMINAL CUP
 (2 EACH SUPPLIED)

1

2



P/N: 27015 - BAG OF FEET II
 (1 BAG OF 4 FEET SUPPLIED)

NOTE: SUPPLIED QUANTITY COUNT
 REFERS TO QUANTITY
 SHIPPED WITH BOX.

FSR inc.
 244 BERGEN BLVD.
 WOODLAND PARK, NJ 07424
 TEL (973) 785-4347
 FAX (973) 785-3318

TITLE:			
FL-200-3 SPARE PARTS LIST			
DRAWN BY:	JRE	DATE:	11/10/21
DWG#: FL-200-3 spare parts		REV:	-
			SCALE: 1:1

4

3

2

1