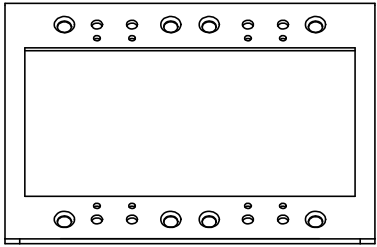
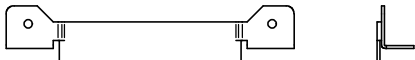


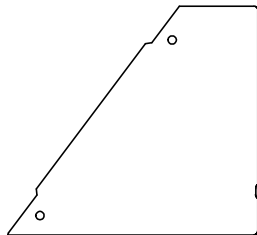
① P/N: 53290 - SMALL SINGLE AC BRACKET (1 SUPPLIED)  
 HARDWARE REQUIRED:  
 P/N: 11511 - #8-32 x 1/4" LONG PAN HEAD SCREW  
 (4 REQUIRED PER PLATE)



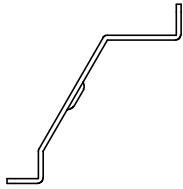
② P/N: 53291 - 1G / 2G BRACKET TOP MOUNT (1 SUPPLIED)  
 HARDWARE REQUIRED:  
 P/N: 11511 - #8-32 x 1/4" LONG PAN HEAD SCREW  
 (4 REQUIRED PER PLATE)



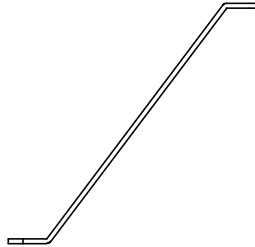
③ P/N: 55639 - GAP FILL / DIVIDER HOLDER (2 SUPPLIED)  
 HARDWARE REQUIRED:  
 P/N: 13330 - #8-32 x 1/4" LONG FLAT HEAD SCREW  
 (2 REQUIRED PER HOLDER)



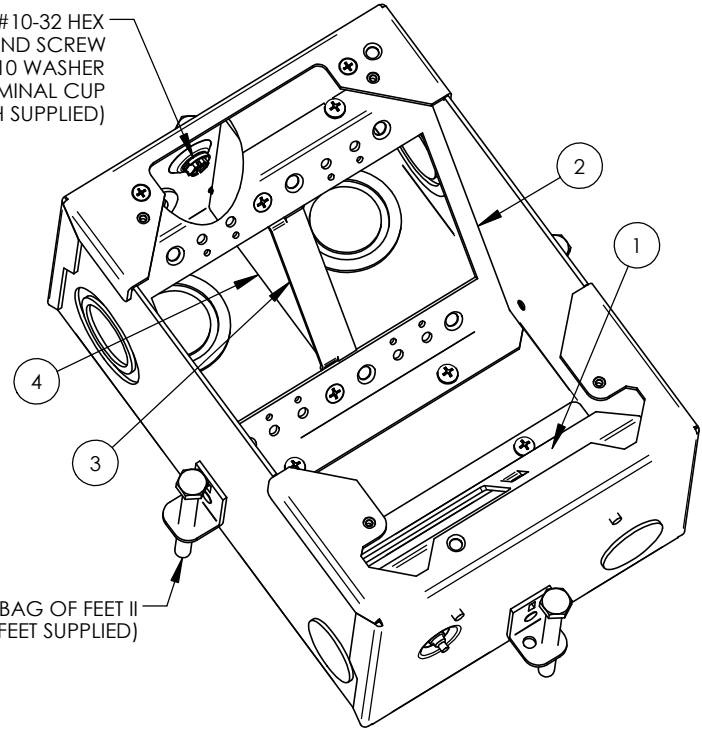
④ P/N: 53289 - BOX DIVIDER (1 SUPPLIED)  
 HARDWARE REQUIRED:  
 P/N: 11511 - #8-32 x 1/4" LONG PAN HEAD SCREW  
 (2 REQUIRED PER DIVIDER)



P/N: 47829 - #10-32 HEX  
 SLOT GROUND SCREW  
 P/N: 13441 #10 WASHER  
 TERMINAL CUP  
 (3 EACH SUPPLIED)



P/N: 27015 - BAG OF FEET II  
 (1 BAG OF 4 FEET SUPPLIED)



NOTE: SUPPLIED QUANTITY COUNT  
 REFERS TO QUANTITY  
 SHIPPED WITH BOX.

**FSR inc.**  
 244 BERGEN BLVD.  
 WOODLAND PARK, NJ 07424  
 TEL (973) 785-4347  
 FAX (973) 785-3318

TITLE: FL-200-4 SPARE PARTS LIST		
DRAWN BY: JRE	DATE: 11/10/21	REV: -
DWG#: FL-200-4 spare parts		SCALE: 1:1