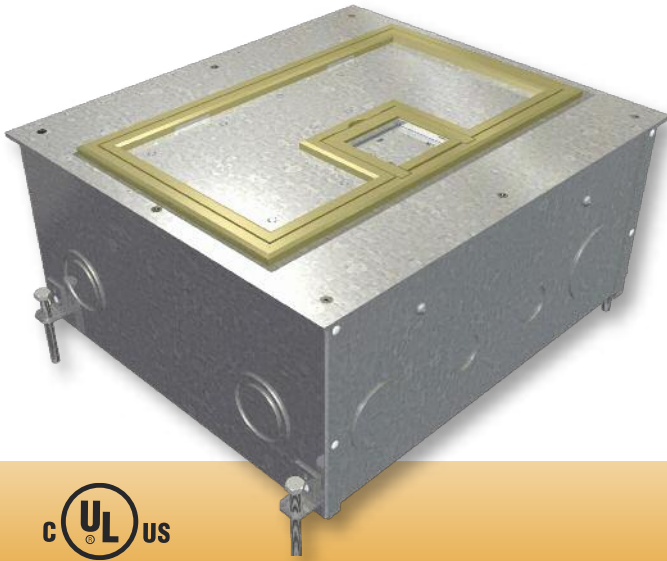


FL-600P Floor Box

FSR

Metal Products Group

FL-600P Floor Box



NEW "TOOL-LESS" COVER DESIGN!

The cable access door can be easily removed by lifting the integrated U-Access handle to quickly access the interior compartment, connectors, and cables.

- 11-gauge steel temporary construction cover included
- 11-gauge finished steel cover with choice of carpet edging
- Mitered brass or aluminum carpet edging .5" or .25" high
- Stainless steel compression latches
- Lift-off full access door



Scrub water approved for carpet, tile, and wood floors!

DESCRIPTION

Our FL-600P Floor Boxes combine rugged construction and an elegant design for use in carpet, tile, or wood covered floors over poured concrete applications. This makes it the perfect floor box for ballrooms, meeting rooms, public spaces, and high traffic areas. There is ample compartment room to accommodate power, audio, video, telecommunications, and data in one elegant and practical box.

There are a variety of covers to choose from. Options include integrated carpet edging, flat covers for non-carpeted, bare floor applications, and different finishes. The lift-off section of the cover allows full access to internal connector plates and stored cables. The hinged cable exit door flips back to allow the cover to remain in place after connections are made and cables are routed through it. The 0.25" and 0.50" raised edge style covers are UL scrub water approved.

The innovation continues to the "transformable" box bottom. The FL-600P's internal brackets can be arranged to provide numerous options for both high and low voltage standard gang openings making it the most flexible and easiest to install floor box available. Removable center dividers make passing cables through the various compartments a snap. Integral "Easy Pour" leveling feet are standard on all of the box bottoms. Several box depths are available and are UL listed.

The unit includes all of the necessary internal plates and brackets to make "pre" and "post" pour compartment changes quick and easy. Using this system, both high and low voltage gang configurations, along with compartment isolation, can be implemented "on the fly". This makes just about any cabling/connector scenario possible.

SPECIFICATIONS

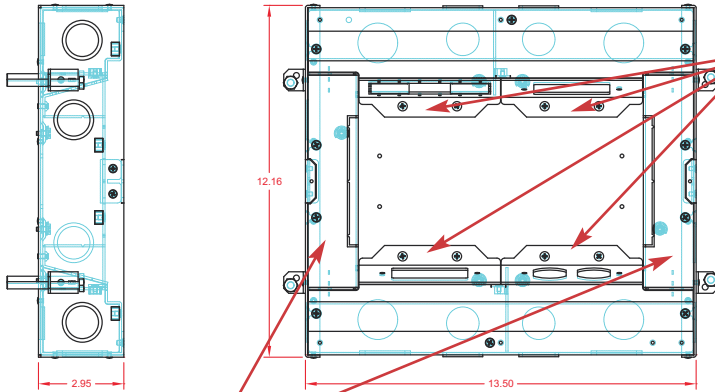
Size:	Box:	13.5" x 12" x depth
	Cover:	14" x 12.5" x .125"
Flanging:	Height:	.25" or .5"
	Material:	Brass or Aluminum
		Flat and Solid Covers also available

FL-600P KNOCKOUT SPECIFICATIONS

3" Box	
KO trade size	Qty/Box
3/4"	4
3/4" / 1.00"	10
1.00	4
1.00 / 1-1/4"	4
4" Box	
3/4"	4
3/4" / 1.00"	4
1.00" / 1-1/4"	4
1-1/2"	4
2.00"	4
6", 8" and 10" Box	
3/4"	4
3/4" / 1.00"	4
1.00" / 1-1/4" / 1-1/2"	4
1-1/2"	4
2.00"	4

BOX BOTTOM DETAIL DRAWINGS

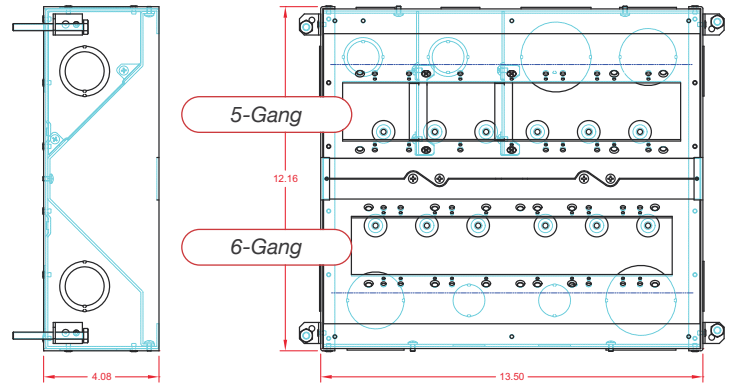
FL-600P-3-B



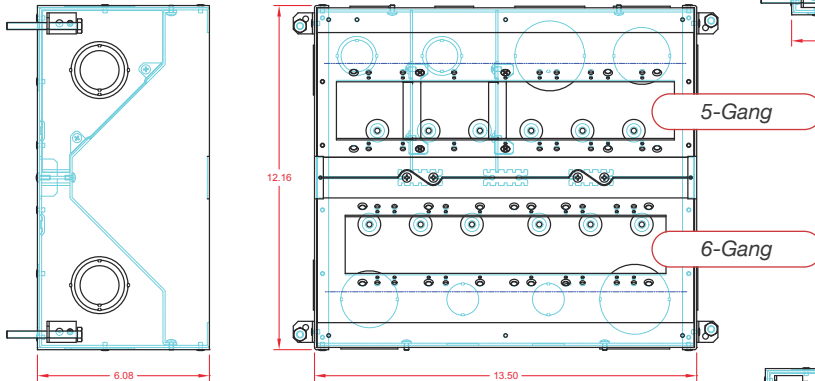
MAIN compartment areas include two duplex, two Decora and one 6-IPS brackets. Additional brackets are available as an option. (See ordering table)

"Pass-through" **END** compartment areas include brackets with integral blank plates. Additional brackets are available as an option. (See ordering table)

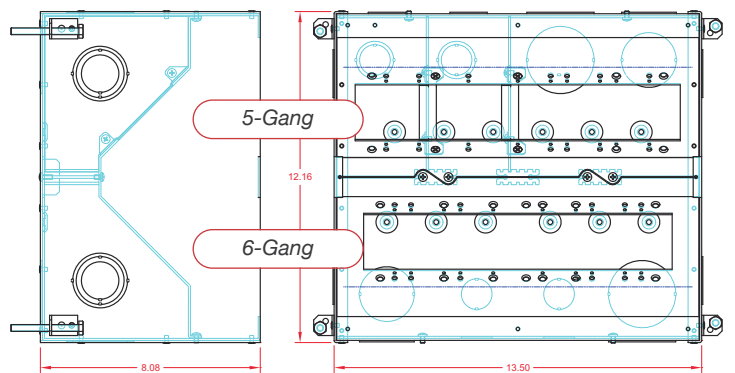
FL-600P-4-B



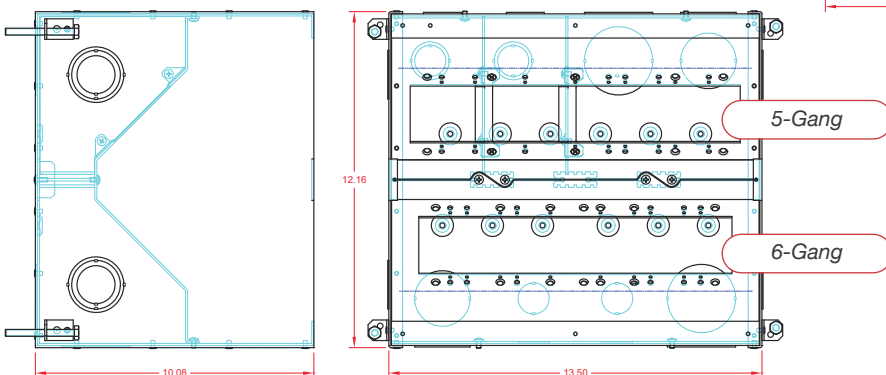
FL-600P-6-B



FL-600P-8-B



FL-600P-10-B



Touchboards

205 Westwood Ave, Long Branch, NJ 07740
 Phone: 866-94 BOARDS (26273) / (732)-222-1511
 Fax: (732)-222-7088 | E-mail: sales@touchboards.com

PLATE CONFIGURATIONS

5-gang side shown (4" through 10" boxes).

Box can be configured as shown, using the included parts.

Plate Configuration 1-1-2

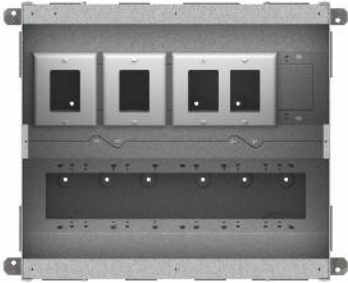


Plate Configuration 1-1-3

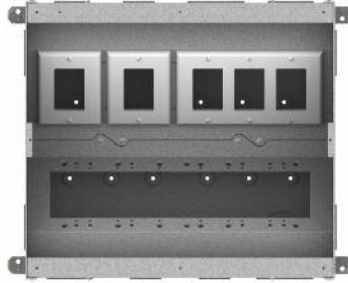


Plate Configuration 1-3-1

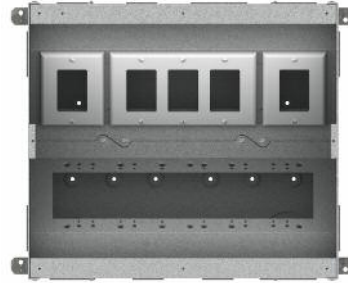


Plate Configuration 1-4

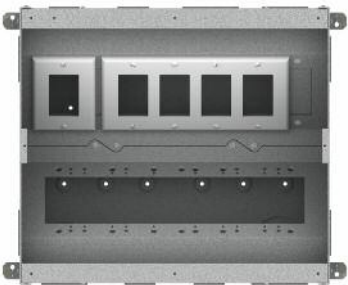


Plate Configuration 2-2

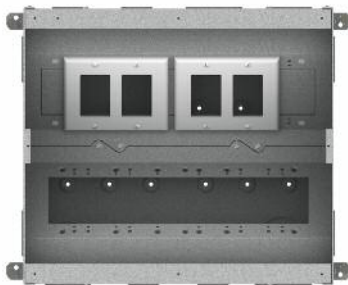


Plate Configuration 2-3

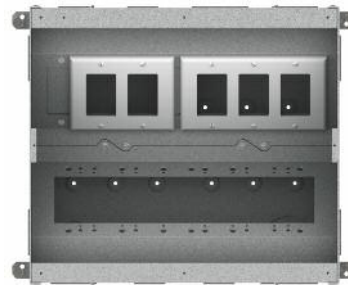


Plate Configuration 4-1

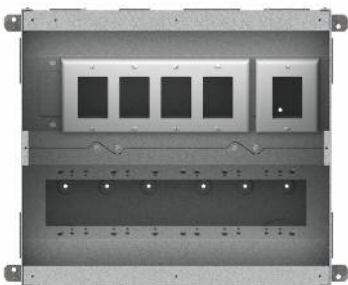


Plate Configuration 5-0

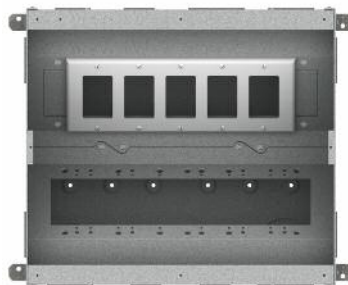


Plate Configuration 1-3 (a)

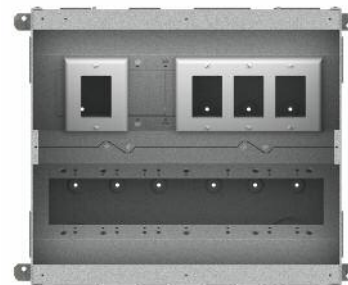


Plate Configuration 1-3 (b)

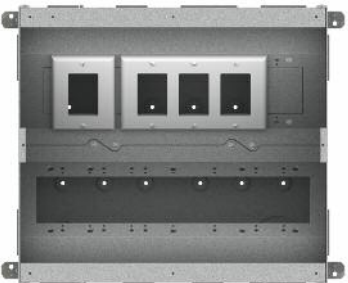


Plate Configuration 1-4

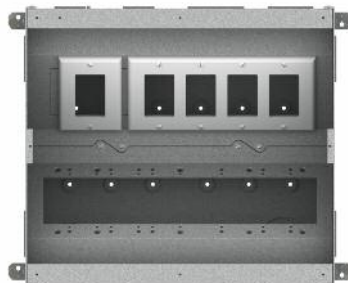
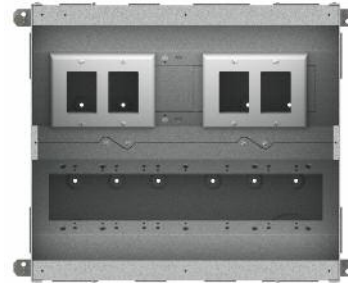


Plate Configuration 2-2 (a)



**Decora plate shown for reference only.*

PLATE CONFIGURATIONS

6-gang side shown (4" through 10" boxes).

Box can be configured as shown, using the included parts.

Plate Configuration 2-2 (b)

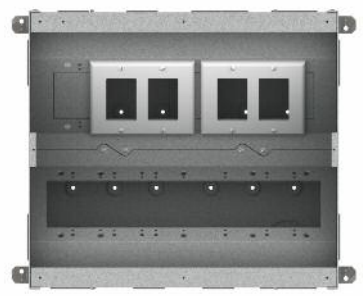


Plate Configuration 2-3

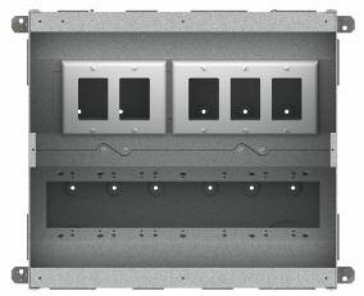


Plate Configuration 3-1

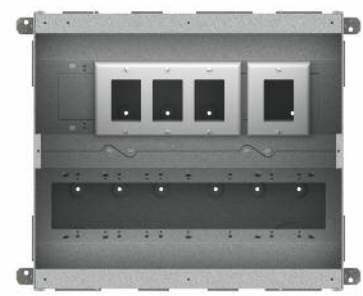


Plate Configuration 3-2

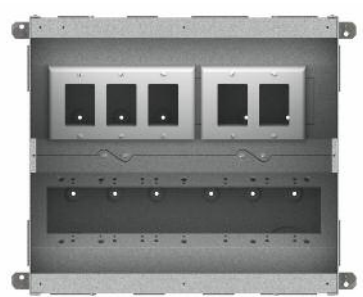


Plate Configuration 4-1

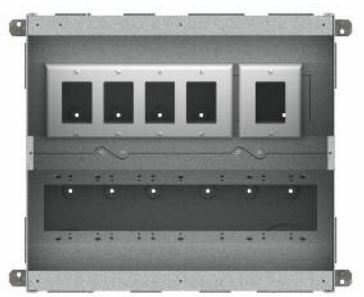
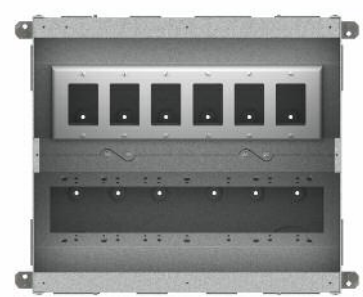


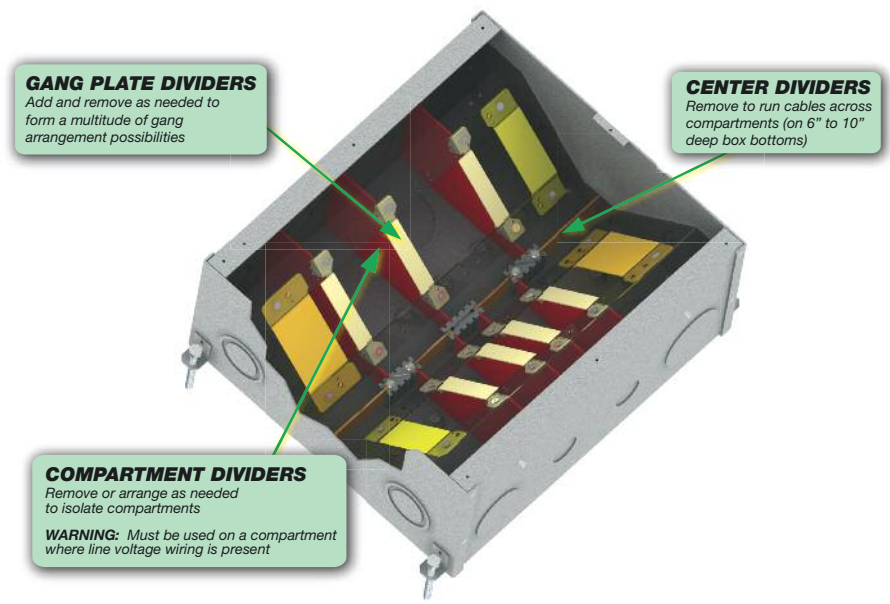
Plate Configuration 6-0



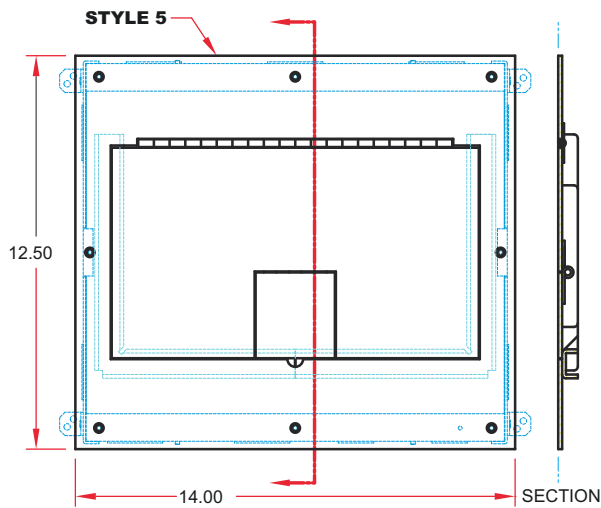
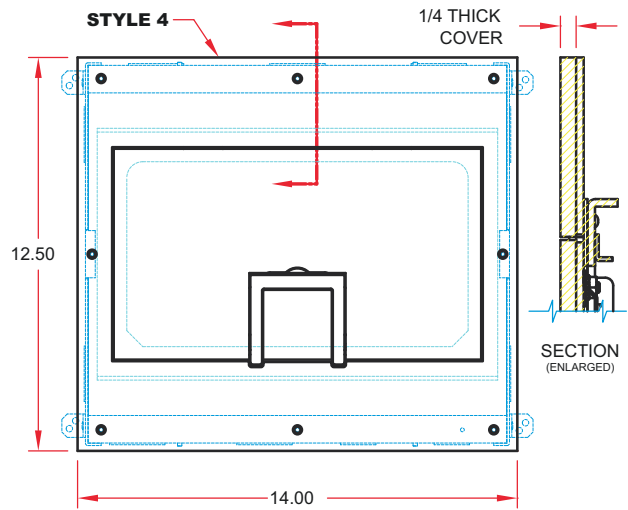
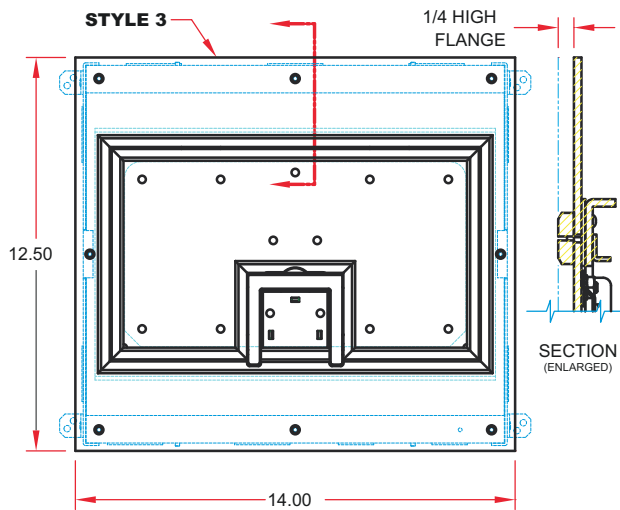
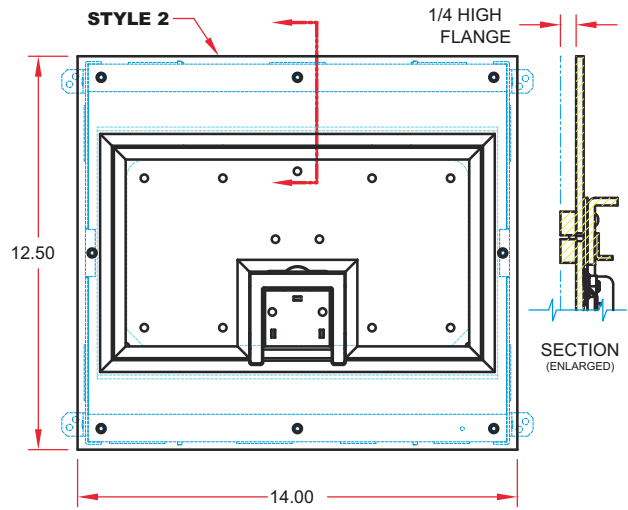
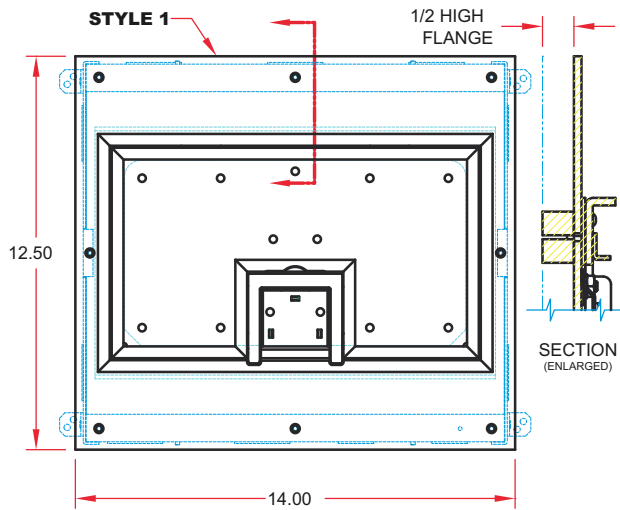
*Decora plates shown for reference only.

FL-600P "TRANSFORMABLE" BOX BOTTOM

Available on 4" through 10" deep box bottom.



COVER DETAIL DRAWINGS



STYLE	DESCRIPTION
1	1/2" SQUARED FLANGE FOR CARPET OR TILE
2	1/4" SQUARED FLANGE FOR CARPET OR TILE
3	1/4" BEVELED FLANGE FOR CARPET
4	SOLID COVER, NO FLANGE**
5	SOLID COVER, NO FLANGE, HINGED**

**Note: Cover Shim Kit (FL-600-CSK) may be required to set the height of box "Pre-Pour" so the top of Finish Cover matches top of finished floor.

COVER OPTIONS

Wood floor installation using 1/2" brass edging on cover

Industrial carpet installed using 1/4" beveled aluminum edging on cover

Thick carpet installation using 1/2" brass edging on cover

Ceramic tile installed using 1/2" aluminum edging on cover

1/4" painted edging with industrial carpet

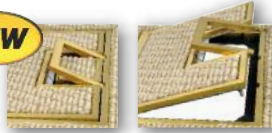
1/4" solid cover in anodized aluminum or painted gray, clay or black



Available in brass, aluminum or painted edging to compliment floor covering.

Not all cover color options are pictured. See the ordering table below for additional options.

NEW



The new U-Access cover design features a handle to easily lift the cover. All corner fasteners have been removed.

See a larger view at bit.ly/1aKZzT6 or scan this QR Code



Floor Box Cover and box bottom ordering information FL-600P – Requires ordering Cover and box bottom separately

Part #	Description
U-Access Covers - UL Scrub Water Rated for Tile and Carpet Installations	
FL-600P-BLP-C U-Access	FL-600P Cover With 1/4" Brass Beveled Flange (Lift off door)
FL-600P-BSQ-C U-Access	FL-600P Cover with 1/4" Brass Square Flange (Lift off door)
FL-600P-B-C U-Access	FL-600P Cover With 1/2" Brass Square Flange (Lift off door)
FL-600P-SLP-C U-Access	FL-600P Cover With 1/4" Aluminum Beveled Flange (Lift off door)
FL-600P-SSQ-C U-Access	FL-600P Cover With 1/4" Aluminum Square Flange (Lift off door)
FL-600P-S-C U-Access	FL-600P Cover With 1/2" Aluminum Square Flange (Lift off door)
FL-600P-PLP-BLK-C U-Access	FL-600P Cover with 1/4" Painted Beveled Flange - Black (Lift off door)
FL-600P-PLP-CLY-C U-Access	FL-600P Cover with 1/4" Painted Beveled Flange - Clay (Lift off door)
FL-600P-PLP-GRY-C U-Access	FL-600P Cover with 1/4" Painted Beveled Flange - Gray (Lift off door)
U-Access Covers - UL Scrub Water Rated - No Carpet Trim**	
FL-600P-SLD-ALM-C U-Access**	FL-600P Solid Cover w/ Cable Exit (No Flange) - Aluminum
FL-600P-SLD-BLK-C U-Access**	FL-600P Solid Cover w/ Cable Exit (No Flange) - Black
FL-600P-SLD-CLY-C U-Access**	FL-600P Solid Cover w/ Cable Exit (No Flange) - Clay
FL-600P-SLD-GRY-C U-Access**	FL-600P Solid Cover w/ Cable Exit (No Flange) - Gray
Covers	
FL-600P-BLK-C	Cover (No Flange) With Hinged Door in Black Sandtex
FL-600P-OAK-C	Cover (No Flange) With Hinged Door in Lt. Oak Sandtex
FL-600P-SS-C	Cover (No Flange) With Hinged Door in Stainless Steel
Box Bottom - UL Listed - Includes Steel Construction Cover	
FL-600P-3-B	FL-600P Box Bottom - 3" Deep 6 x 1-Gang Areas
FL-600P-4-B	FL-600P Box Bottom - 4" Deep
FL-600P-6-B	FL-600P Box Bottom - 6" Deep
FL-600P-8-B	FL-600P Box Bottom - 8" Deep
FL-600P-10-B	FL-600P Box Bottom - 10" Deep
Optional Brackets for FL-600P-3-B Box Bottom (END compartment areas)	
FL-600P3"-EP-DEC	Decora Optional Bracket
FL-600P3"-EP-DUP	Duplex Optional Bracket
FL-600P3"-EP-4IPS	4-IPS Optional Bracket
Optional brackets for FL-600P-3-B Box Bottom (MAIN compartment areas)	
FL-P3"-Decora	Decora optional Bracket
FL-P3"-Duplex	Duplex optional Bracket
FL-P3"-6IPS	6-IPS optional Bracket
FL-P3"-Blank	Blank optional Bracket
Optional Manufacturers Specific Mounting Brackets	
MMS-FL600/640-P4	Crestron DM-TX-200-C-2G Wallplate Mounting Bracket w/Blank Plate (4" deep box only)
Pour Pan Accessories	
FL-GRD2	2" Grade Mounting Kit
FL-GRD4	4" Grade Mounting Kit
Optional Shim Kit**	
FL-600-CSK	Temporary and Final Cover Shim Kit

** Shim kits may be required.



244 Bergen Boulevard, Woodland Park, NJ 07424

Phone: 973.785.4347 · Fax: 973.785.4207

Web: www.fsrinc.com · E-mail: sales@fsrinc.com

LIT1058H

Specifications are subject to change without notice.