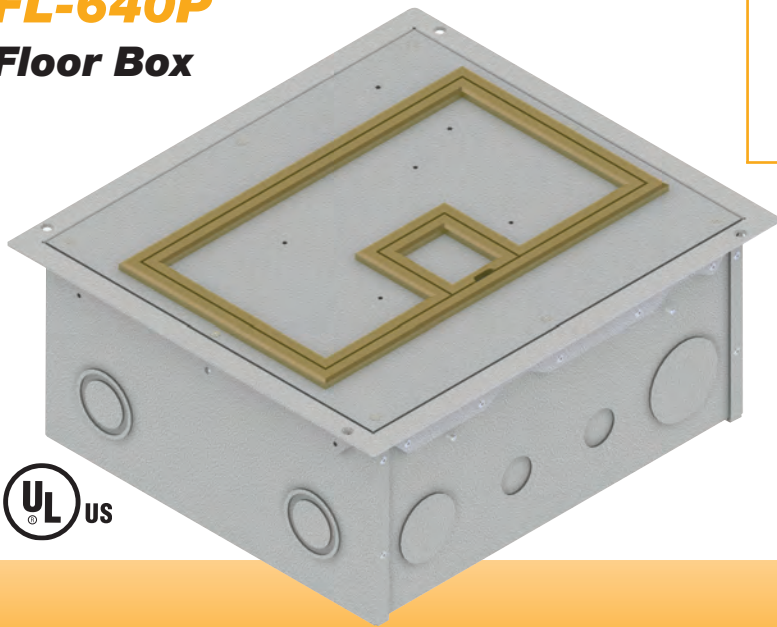


# FL-640P Floor Box



# FSR

## Metal Products Group

- 11-gauge steel temporary construction cover included
- 11-gauge finished steel cover with choice of carpet edging
- Mitered brass or aluminum carpet edging .25" high
- Stainless steel compression latches on models with carpet flanges
- Lift-off full access door

### DESCRIPTION

The FL-640P floor box is designed for raised access floors. This floor box provides a practical solution for cable storage while maintaining easy access. The lift off section of the cover allows full access to the internal cables and connector plates. A smaller hinged trap door folds back to create the cable exit. Cables can be stored within the box when not in use, allowing unencumbered travel over the floor. The sturdy drop-in floor lip supports the unit and installs flush with the floor. The 1/4" carpet edging is available in brass or aluminium. Flat covers without flanges are also offered in black or light oak sandtex.

The innovation continues to the "transformable" back box. The FL-640P's internal brackets can be arranged to provide numerous options for both high and low voltage standard gang openings making it the most flexible and easiest to install floor box available. The 4" through 10" deep boxes are UL listed. The unit includes all the necessary internal plates and brackets to make "pre" and "post" installation compartment changes quick and easy. Using this system, both high and low voltage gang configurations along with line voltage compartment isolation can be implemented "on the fly". This makes just about any cabling/ connector scenario possible.

### SPECIFICATIONS

Size: Box: 13.5" x 12" x depth  
Cover: 14" x 12.5" x .125"

Edging: Height: .25"  
Material: Brass or Aluminum

Weight: Box: 20.5 lbs. Cover: 10 lbs.

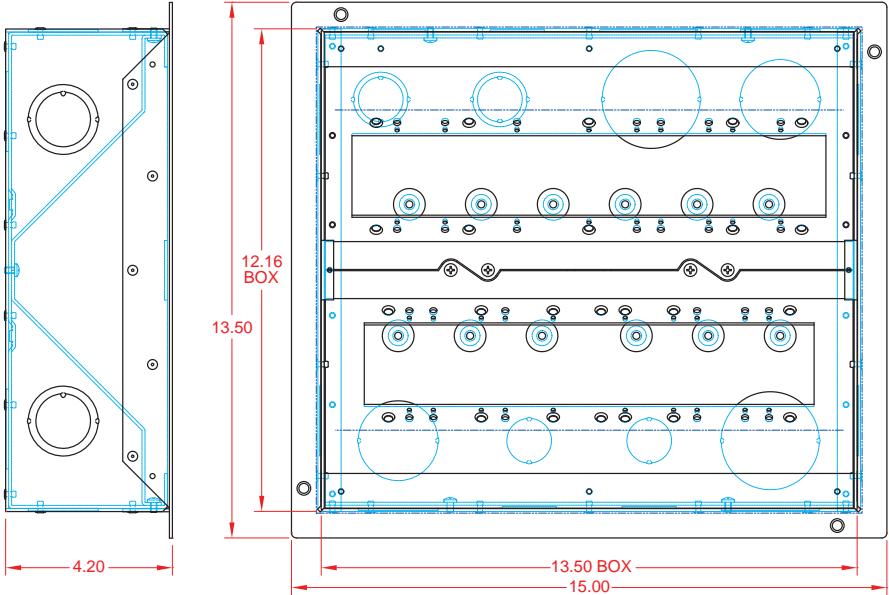
Flat Covers also available

### KNOCKOUT SPECIFICATIONS

FL-640P-4"	
KO trade size	Qty/Box
3/4"	4
3/4" / 1.00" Concentric	4
1.00 / 1-1/4" Concentric	4
1-1/2"	4
2.00"	4
FL-640P-6" and 8"	
KO trade size	Qty/Box
3/4"	4
3/4" / 1.00" Concentric	4
1.00" / 1-1/4" / 1-1/2" Concentric	4
1-1/2"	4
2.00"	4

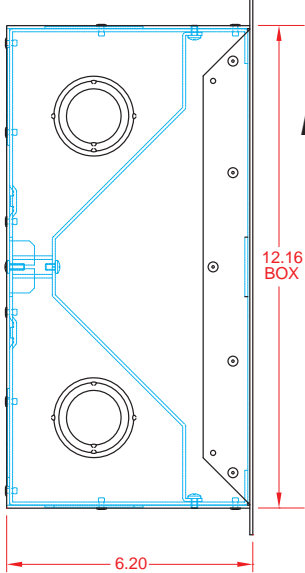


# BACK BOX DETAIL DRAWINGS

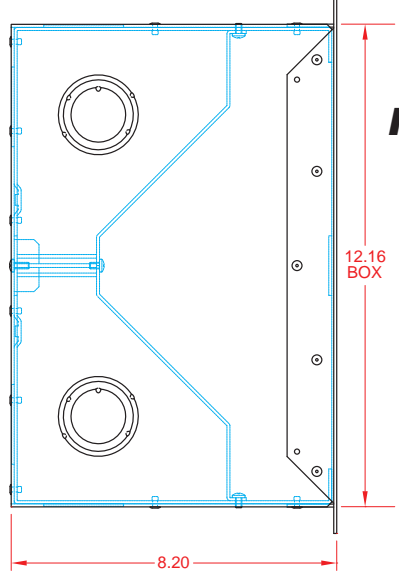


**FL-640P-4**

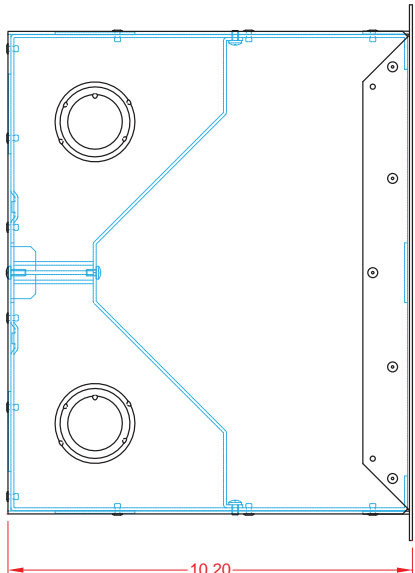
*Length and width of backbox is the same for all models.*



**FL-640P-6**



**FL-640P-8**

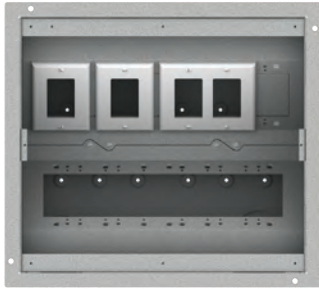


**FL-640P-10**

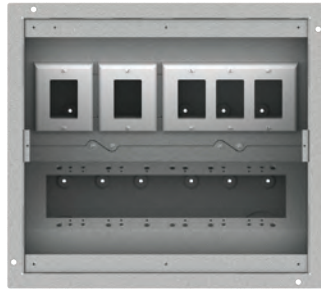
# **PLATE CONFIGURATIONS**

The back boxes contain two identical angled mounting brackets and either side can be configured as shown using the included parts. The various plates are shown only as a few possible examples and are not included.

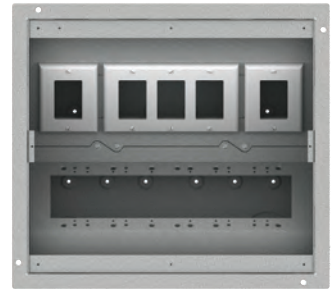
**Plate Configuration 1-1-2**



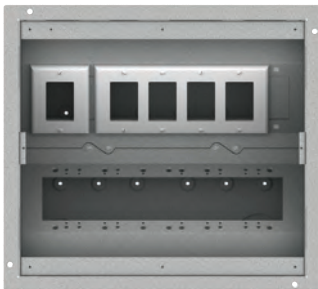
**Plate Configuration 1-1-3**



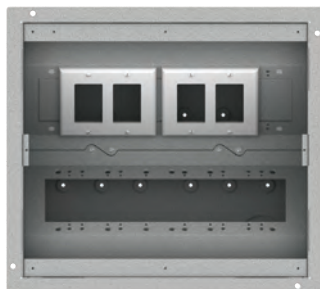
**Plate Configuration 1-3-1**



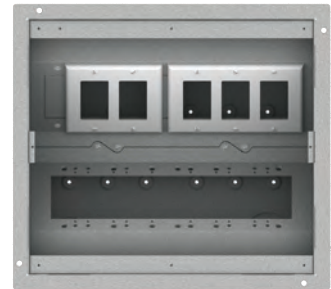
**Plate Configuration 1-4**



**Plate Configuration 2-2**



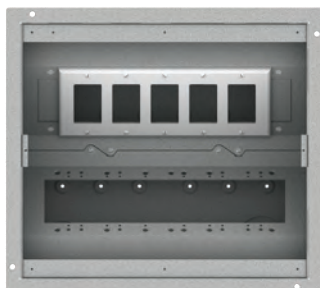
**Plate Configuration 2-3**



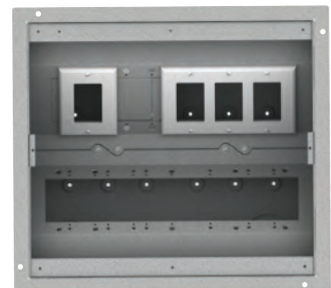
**Plate Configuration 4-1**



**Plate Configuration 5-0**



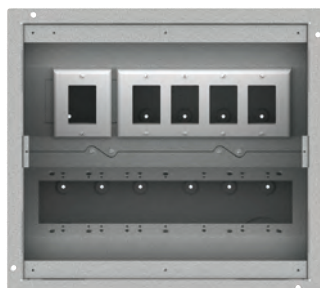
**Plate Configuration 1-3 (a)**



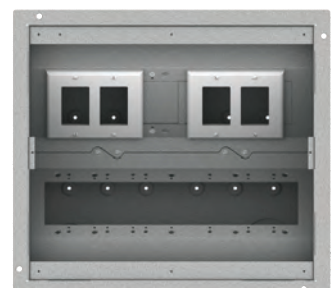
**Plate Configuration 1-3 (b)**



**Plate Configuration 1-4**

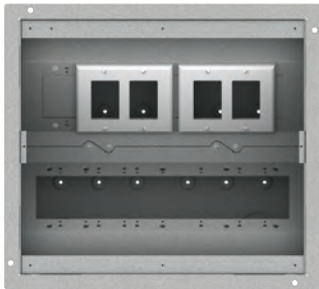


**Plate Configuration 2-2**

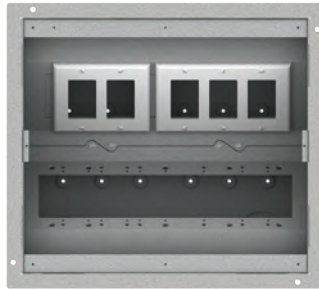


# PLATE CONFIGURATIONS CONTINUED

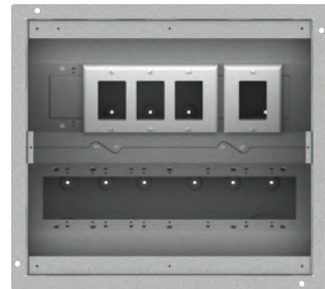
**Plate Configuration 2-2 (b)**



**Plate Configuration 2-3**



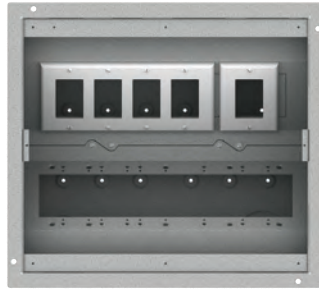
**Plate Configuration 3-1**



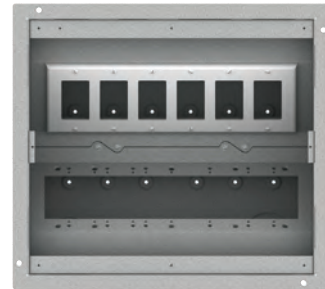
**Plate Configuration 3-2**



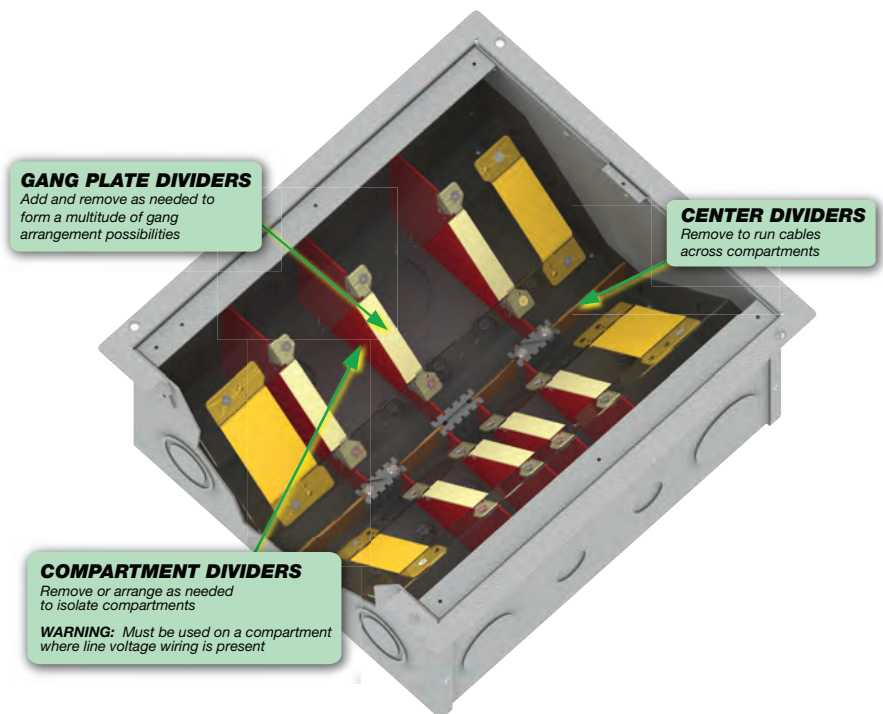
**Plate Configuration 4-1**



**Plate Configuration 6-0**



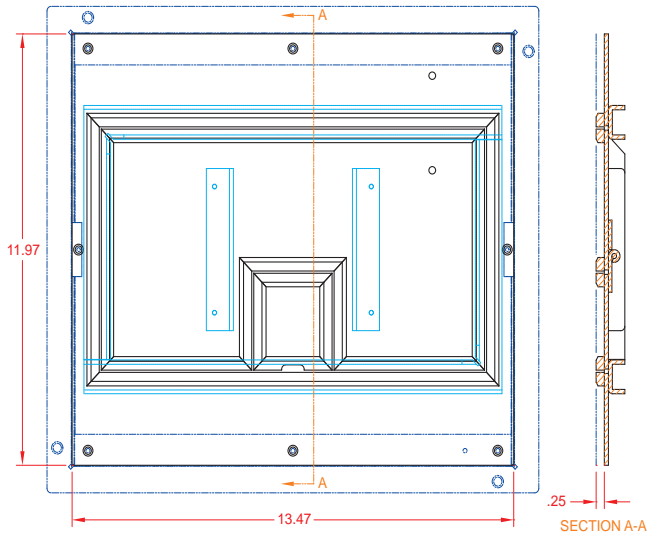
# FL-640P "TRANSFORMABLE" BACKBOX



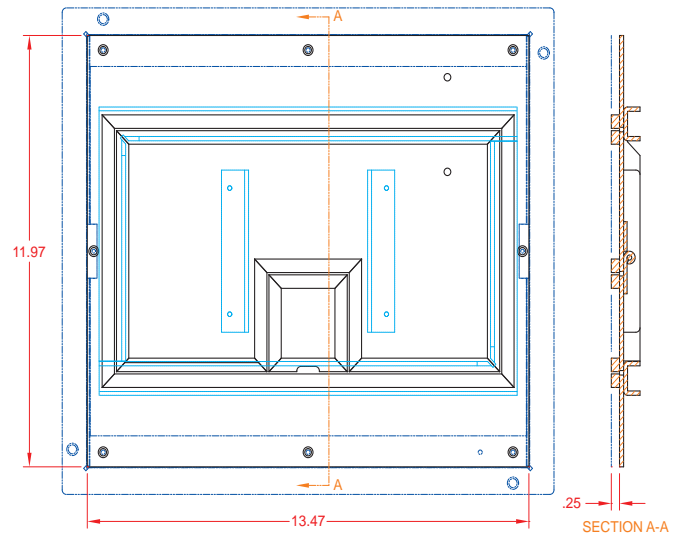


# COVER DETAIL DRAWINGS

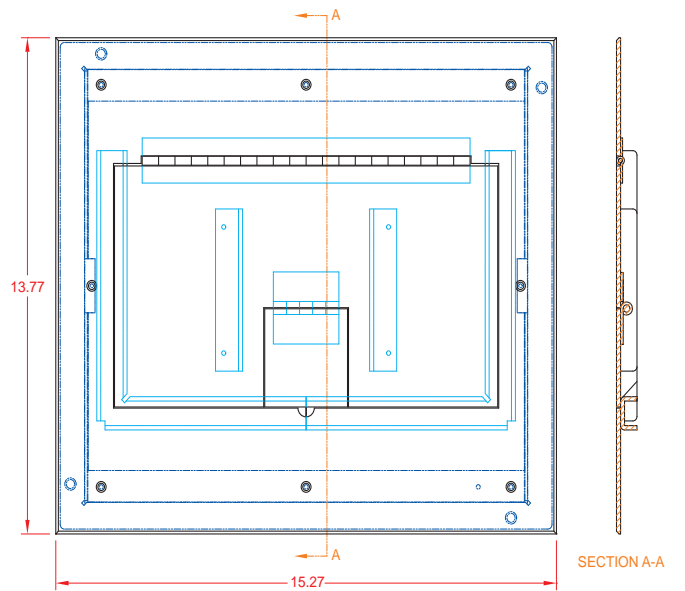
**STYLE 1**



**STYLE 2**

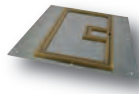


**STYLE 3**

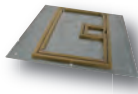


STYLE	MODEL NUMBER	DESCRIPTION
1	FL-640P-BLP-C	COVER WITH 1/4" BRASS CARPET FLANGE (LIFT OFF DOOR)
2	FL-640P-BSQ-C	COVER WITH 1/4" SQUARE BRASS CARPET FLANGE (LIFT OFF DOOR)
1	FL-640P-SLP-C	COVER WITH 1/4" ALUMINUM CARPET FLANGE (LIFT OFF DOOR)
2	FL-640P-SSQ-C	COVER WITH 1/4" SQUARE ALUMINUM CARPET FLANGE (LIFT OFF DOOR)
3	FL-640P-BLK-C	COVER (NO FLANGE) WITH HINGED DOOR IN BLACK SANDEXT
3	FL-640P-OAK-C	COVER (NO FLANGE) WITH HINGED DOOR IN LT. OAK SANDEXT

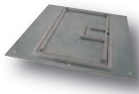
## COVER OPTIONS



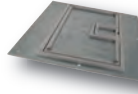
FL-640P-BLP



FL-640P-BSQ



FL-640P-SLP



FL-640P-SSQ



FL-640P-OAK

### Floor Box Covers and Back Boxes ordering information

**FL-640P – Requires ordering Cover and Back Box separately**

Item#	Part #	Description
<b>Covers - UL Listed</b>		
15529	FL-640P-BLP-C	Cover With 1/4" Brass Carpet Flange (Lift off door)
15852	FL-640P-BSQ-C	Cover with 1/4" Square Brass Flange (Lift off door)
15534	FL-640P-SLP-C	Cover With 1/4" Aluminum Carpet Flange (Lift off door)
15983	FL-640P-SSQ-C	Cover With 1/4" Square Aluminum Flange (Lift off door)
15533	FL-640P-BLK-C*	Cover (No Flange) With Hinged Door in Black Sandtex
15532	FL-640P-OAK-C	Cover (No Flange) With Hinged Door in Lt. Oak Sandtex
<b>Back boxes - UL Listed - Includes Steel Construction Cover</b>		
15527	FL-640P-4	FL-640P Back Box - 4" Deep
15528	FL-640P-6	FL-640P Back Box - 6" Deep
17171	FL-640P-8	FL-640P Back Box - 8" Deep
17178	FL-640P-10	FL-640P Back Box - 10" Deep

\* Black cover not pictured.

Specifications are subject to change without notice.



# FSR

244 Bergen Boulevard, Woodland Park, NJ 07424

Phone: 973.785.4347 · Fax: 973.785.4207

Web: [www.fsrinc.com](http://www.fsrinc.com) · E-mail: [sales@fsrinc.com](mailto:sales@fsrinc.com) LIT1058D