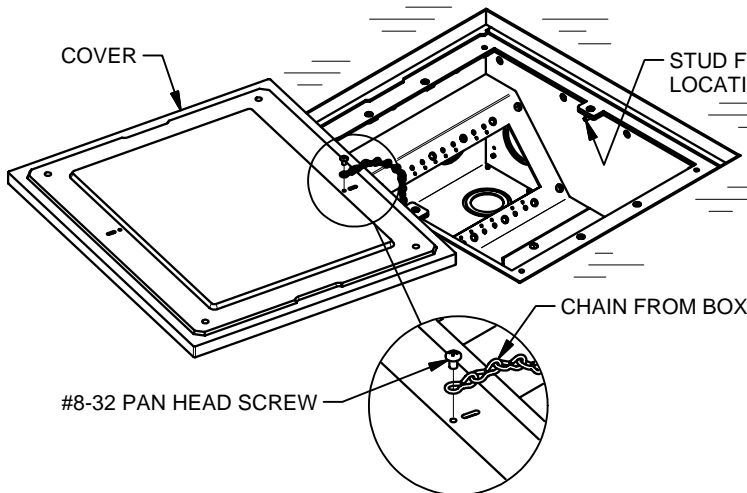
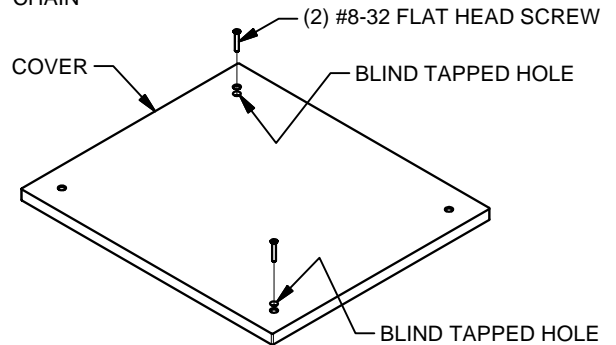


1a. **EXISTING RIM** - IF NO RIM REMOVAL IS REQUIRED, GO TO STEP 1b. OTHERWISE, REMOVE EXISTING COVER AND REMOVE CHAIN FROM COVER (NOT SHOWN). REMOVE EXISTING RIM. REMOVE ALL RTV SILICONE FROM BOX. REMOVED PARTS AND HARDWARE MAY BE DISCARDED, OR STORED FOR POSSIBLE FUTURE USE. CONTINUE TO STEP 1b.

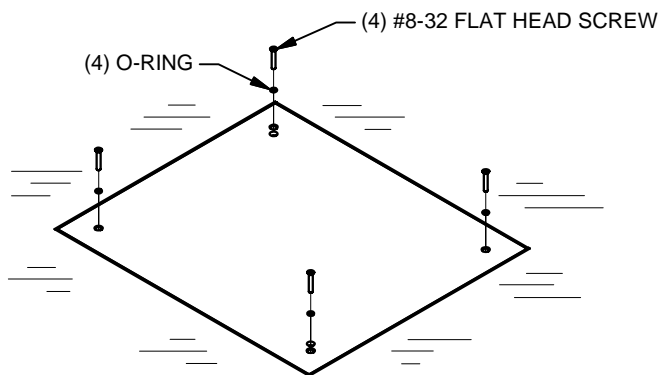
1b. **NEW INSTALLATION** - REMOVE AND DISCARD TEMPORARY COVER AND SCREWS (NOT SHOWN), IF APPLICABLE. APPLY A CONTINUOUS 1/4" BEAD OF RTV SILICONE TO THE INSIDE CORNER OF ALL 4 SIDES OF THE CONCRETE-STOP FLANGE ON THE BOX (SEE RTV SILICONE PLACEMENT DETAIL). QUICKLY INSTALL RIM ONTO BOX WITH PROVIDED #8-32 x 1/4" FLAT HEAD PHILIPS SCREWS, ONLY IN COUNTERSUNK HOLES.



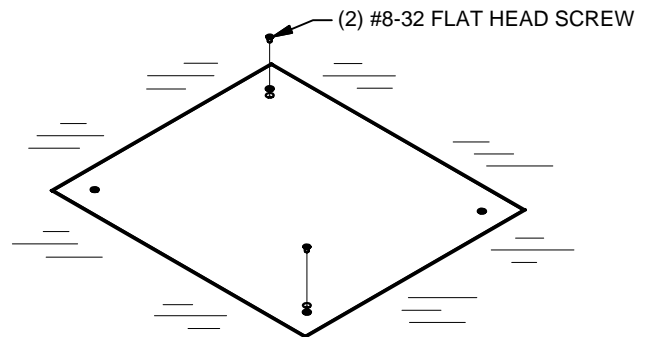
2. INSTALL BOX-ATTACHED CHAIN TO COVER WITH PROVIDED #8-32 x 1/4" PAN HEAD PHILIPS SCREW. CHAIN FROM BOX CAN BE REMOVED AND INSTALLED IN ALTERNATE LOCATION, IF DESIRED.



3. INSTALL PROVIDED #8-32 x 1" FLAT HEAD PHILIPS SCREWS INTO BLIND TAPPED HOLES ON COVER. SCREWS WILL BE USED AS LIFTING HANDLES TO OPEN OR CLOSE BOX. ONCE COVER IS IN PLACE, SCREWS ARE TO BE REMOVED AND USED TO SECURE COVER.



4. SECURE COVER TO BOX; SLIP PROVIDED O-RINGS ONTO PROVIDED 1"-LONG SCREWS, RIGHT UP TO THE SCREW'S HEAD, AND TIGHTEN THESE SCREWS INTO THE COUNTERSUNK THROUGH-HOLES.



5. INSTALL PROVIDED #8-32 x 1/4" FLAT HEAD PHILIPS SCREWS INTO BLIND TAPPED HOLES ON COVER.