



DESCRIPTION

Unifying the integration of AV, IT, and Power – all in the same box

The Unity Collection of Table Boxes are available in various shapes to match your needs and designs.

Select square or rectangular boxes, dual rectangular boxes for those larger tables, or a clamp on table unit. A full line of insert brackets and cable retractors are available. The internal brackets are designed to hold AC, USB Chargers, Cable Pulls, Cable Retractors, snap-in Keystone Connectors, and FSR's full line of IPS (Intelligent Plate Solutions).

The Unity Collection covers are available in various finishes to suit your decor. (See ordering information to determine available color by model number.)

The S3/S4/R2 models ship with one T6-LB-UN universal bracket. The RD4 model ships with two T6-LB-UN universal brackets. Each bracket allows mounting of four IPS, six cables (in a "pull" configuration) or can be used to simply block a section of the table box.

RETRACTOR READY

FSR's TBRT Cable Retractors balance form and function, making tangle-free cable management an easy task. This cable management system offers convenience as well as cable storage and protection, hiding unsightly cables when not in use. The cables can be quickly deployed by the user and extend to any length, up to four feet. A simple pull and release of the extended cable is all that is needed to return the cable to the protective reel. No button release is required.

The TBRT assemblies can be ordered in HDMI (4 color coded cables available for integration with HuddleVU systems), HD-15 (VGA) with fixed 1/8" stereo audio jack, CAT-6, 1/8" Stereo Audio, Display Port ++, Mini Display Port and USB. All cables are of the highest quality and, are tested for longevity. Retractor life is greater than 8,000 cycles.

APPLICATIONS

- Desks
- Lecterns
- Lab Tables
- Huddle Areas
- Boardroom Tables
- Control Consoles
- Classrooms
- Multipurpose Rooms

FEATURES

- Choice of shapes and form factors
- Large capacity
- Low profile
- Uses the full FSR T6 large connector, plate and charger solutions
- Hideaway Doors
- Boxes can be used with FSR's HuddleVU Collaboration systems with the addition of RT6-HLB-4MOM brackets which provide four momentary switches and LEDs.
- Provided with one or more T6-LB-UN Brackets dependent on RT6 model

* For Round Box Solutions see (LIT1291) T6 Table Box spec sheet.



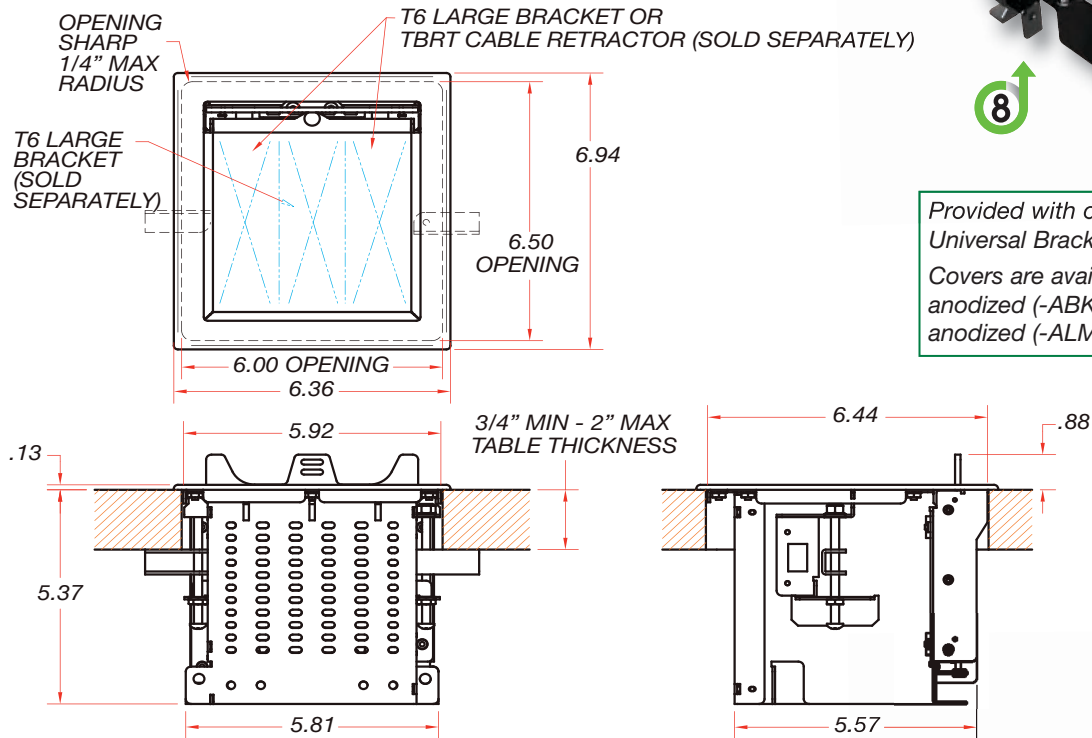
This symbol indicates the device is **RETRACTOR Ready** and accepts the number of retractors shown in the circle.

FSR Inc.

244 Bergen Boulevard, Woodland Park, NJ 07424
Phone: 973.785.4347 · Fax: 973.785.4207
Web: www.fsrinc.com · E-mail: sales@fsrinc.com LIT1598G

RT6-S3

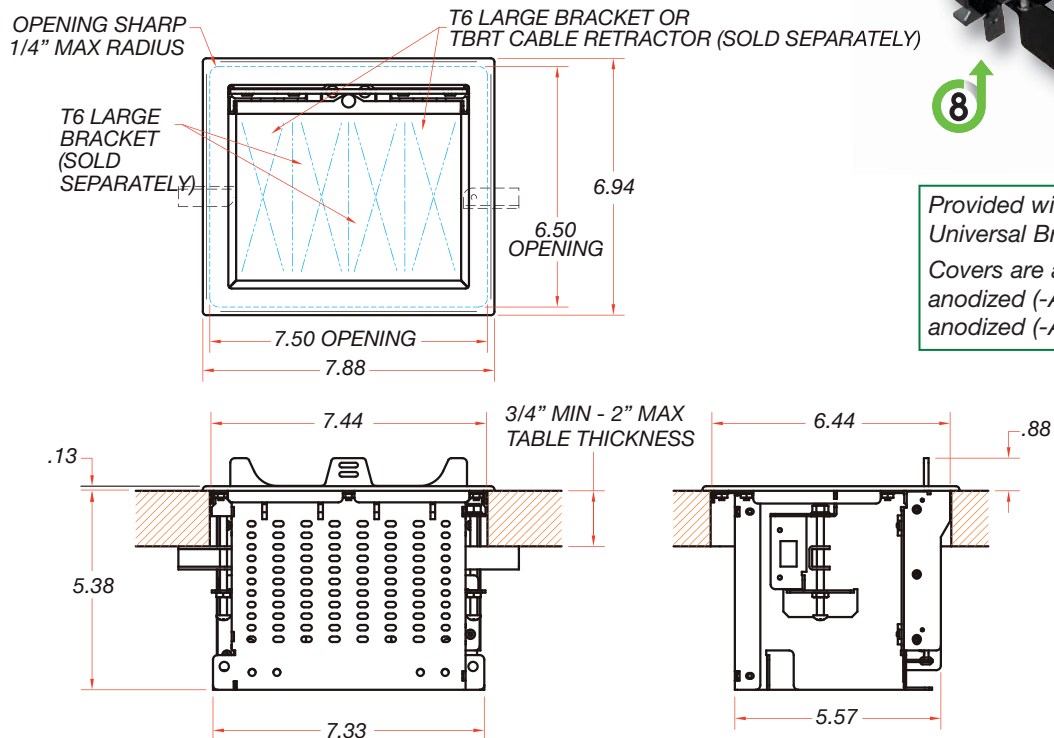
The **RT6-S3 Table Box** is a square box with spacing for any three T6 series large brackets mounted vertically to suit your individual applications. It can also hold up to 8 TBRT cable retractors and still have space for AC and USB chargers as well.



Provided with one T6-LB-UN Universal Bracket
Covers are available in black anodized (-ABK) or clear anodized (-ALM) finishes

RT6-S4

The **RT6-S4 Table Box** is a square box with spacing for any four T6 series large brackets mounted vertically. It can also hold up to 8 TBRT cable retractors and still have space for AC and USB chargers



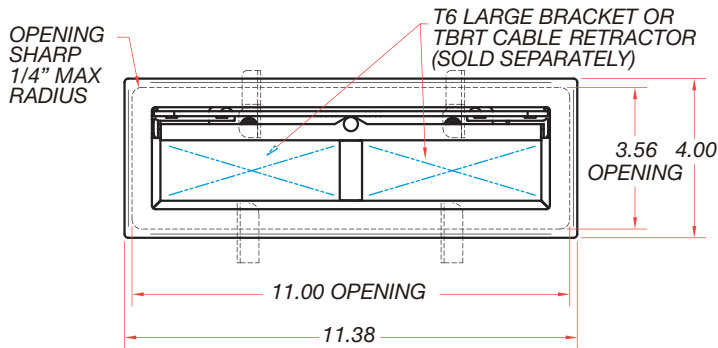
Provided with one T6-LB-UN Universal Bracket
Covers are available in black anodized (-ABK) or clear anodized (-ALM) finishes

RT6-R2

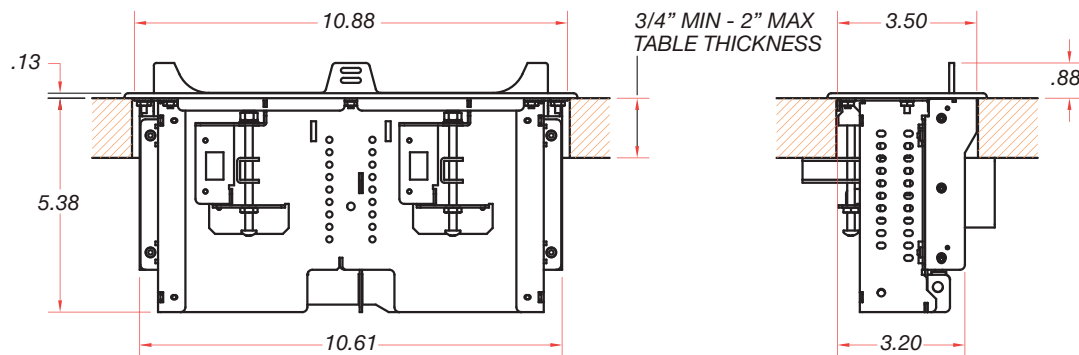
The **RT6-R2 Table Box** is a rectangular box with T6 series large brackets mounted horizontally to suit your individual applications. It can also be configured to hold 4 or 8 TBRT cable retractors.



8

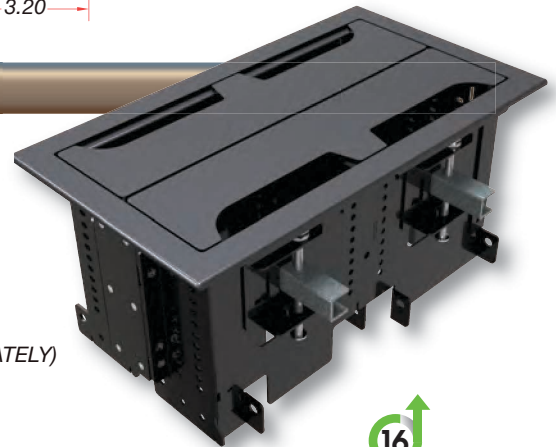


Provided with one T6-LB-UN Universal Bracket
Covers are available in black anodized (-ABK) or clear anodized (-ALM) finishes

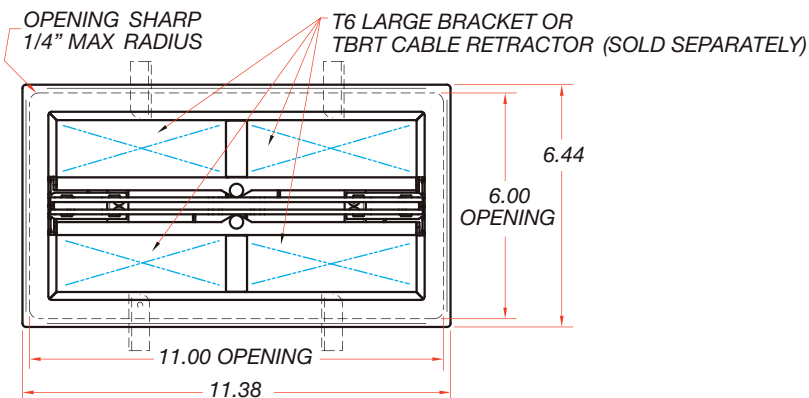


RT6-RD4

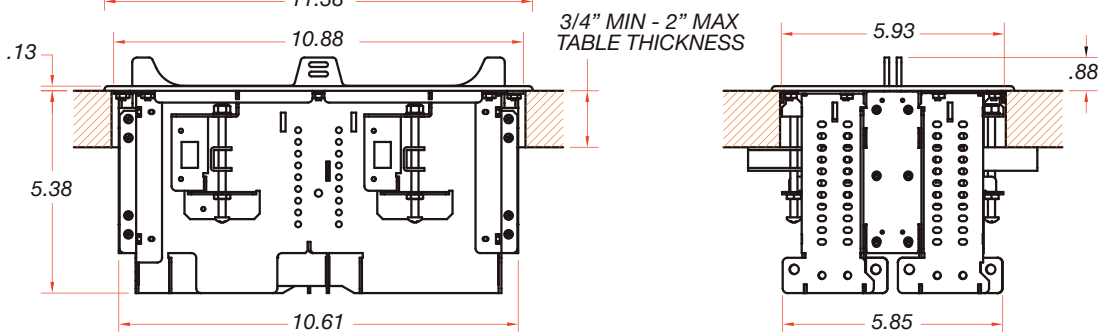
The **RT6-RD4 Table Box** is a rectangular box with spacing for any four T6 series large brackets mounted horizontally facing opposite sides of the box. Individual covers for each side handle your individual applications. It can also be configured to hold up to 16 TBRT cable retractors or 8 retractors to still have space for AC and USB chargers as well.



16

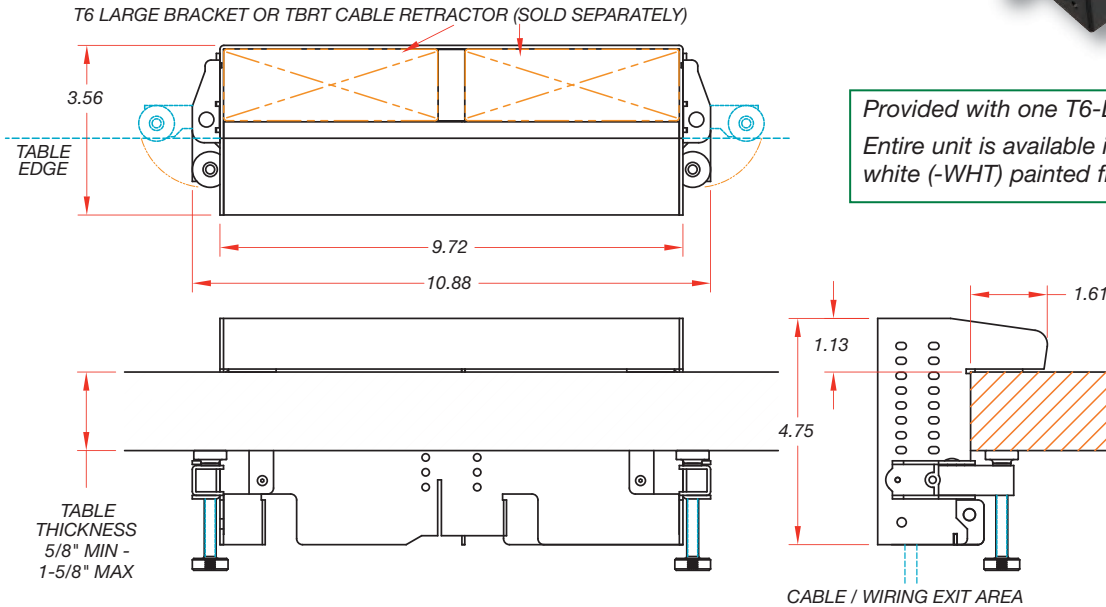


Provided with two T6-LB-UN Universal Brackets. Covers are available in black anodized (-ABK) or clear anodized (-ALM) finishes



RT6-CL2

The **RT6-CL2** is a table edge version of the RT6-R2 table box. It incorporates a tool-less, quick-use clamp to attach to any table or counter edge (with thicknesses ranging from 1/2" to 1 1/8"). The RT6-CL2 has spacing for any two T6 series large brackets mounted horizontally next to each other to suit your individual applications. It can hold 8 retractors (use RT6-R-LB-RTMKT Mounting Kits), or be configured to hold 4 TBRT cable retractors and still have space for AC and USB chargers as well.



Provided with one T6-LB-UN Universal Bracket
Entire unit is available in black (-BLK) or white (-WHT) painted finish

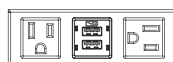
RT6 BRACKET ASSEMBLIES

The **T6-LB-xxxxx** series of inserts (ordered separately) can be used in both the T6 and the RT6 Series boxes and are now offered with 3 AC connections, or 2 AC and 2 USB chargers, or 1 AC and 4 USB chargers.

LARGE SECTION BRACKETS



T6-LB-AC1CH (-W)*
1 AC outlet and 4 USB charging ports



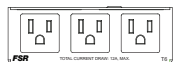
T6-LB-AC2CH (-W)*
2 AC outlets and 2 USB charging ports



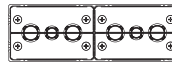
T6-LB-AC2U1 (-W)*
2 AC outlets with 1 additional rear AC outlet



T6-LB-AC3RR (-W)*
3 AC outlets with center outlet rotated



T6-LB-AC3HW
3 AC outlets with pigtails for hard wiring



T6-LB-UN
Allows mounting of 4 IPS inserts or six cables
Can also be used to block off a section



T6-LB-5SS
Space for up to 5 FSR Simple Solutions connectors



RT6-R-LB-RTMKT
RT6-S-LB-RTMKT
Mounting kits for using up to four FSR TBRT retractors in "R" or "S" style boxes. See LIT1497 TBRT Retractor Spec for details.

* (-W) indicates models that are available in white. Otherwise, brackets are black.
Drawings are for illustrative purposes and are not to scale

AC outlet and charger ratings:

Input Rating: 125 VAC 15A 60Hz

Outlet Output Rating: 15 Amps maximum total current draw, each outlet is also individually rated for 15 Amps

USB Charger Output Rating:

T6-LB-AC2CH: 2 x 12 Watt

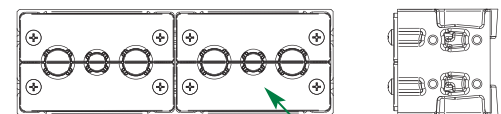
T6-LB-AC1CH: 2 x 10 Watt (upper USB ports), 2 x 5 Watt (lower USB ports)

The **RT6-HLB-4MOM** bracket provides 4 lighted momentary switches so these boxes can be used to activate control systems or can be integrated with FSR's HuddleVU line of collaboration solutions. A half blank is provided with each insert.



RT6-HLB-4MOM

The **T6-LB-UN** (provided with each RT6)



Allows mounting of four IPS inserts or six cables.
Can also be used to block off a section.

Remove knockouts for cable pull use.

FSR Inc.

244 Bergen Boulevard, Woodland Park, NJ 07424
Phone: 973.785.4347 · Fax: 973.785.4207
Web: www.fsrinc.com · E-mail: sales@fsrinc.com

Specifications are subject to change without notice.
© 2019 FSR, Inc. All Rights Reserved