

HDMI® 4K Digital Ribbon Cable



FSR

Video Products Group

4K DIGITAL RIBBON CABLES

with
CoilGuard™

DESCRIPTION

FSR's 4K Next Generation Digital Ribbon Cables with CoilGuard utilize a proprietary technology to allow high speed, high definition HDMI® signal transmission over distances of up to 100 ft. This durable cable is fitted with a discreet stainless steel reinforced inner jacket and an outer black jacket that allows the cable to withstand rough service during and to blend in after installation. The hybrid fiber/copper cables deliver a speed of 18 Gb/sec video bandwidth. They can easily handle up to 4k 60Hz 4:4:4 HDR uncompressed HDMI® video and are ARC compatible. The cables come pre-terminated in convenient lengths. These advanced technology cables use four glass fibers, seven copper wires and supply the necessary power to the embedded circuitry at both ends of the cable. They meet the HDMI® / HDCP testing standards. The connector shells are labeled "source" and "display" to aid in proper connections.



FEATURES

- Stainless steel reinforced construction
- Enhanced pull strength of 100 lbs.
- Suitable for Rough Service. Short term load limit of 2000N/100mm (450lbs./4")
- HDMI® with 4k@60Hz YUV 4:4:4 and supports all HDCP versions
- Overcomes distance limitations of conventional HDMI® cables
- Competitive in cost to older cable types
- Signal integrity is uncompromised
- Multi-format compatibility
- No external power or special tooling required
- Cable and connectors easily fit within a 1" conduit
- Supports DDC for HDCP and EDID
- Supports PCM, Dolby, DTS-HD & True HD audio
- ARC compatible

APPLICATIONS

Great for temporary or permanent installation in high traffic areas like:

- Auditoriums
- Concert Halls
- Terminals
- Common Areas
- Hospitality
- Training Rooms
- Trade Shows
- Rentals

ORDERING INFORMATION

Item #	Part#	Description	Meters	Feet
18169	DR-H2.0-SR-23M	4K Steel Reinforced BLK AOC	23	75
18170	DR-H2.0-SR-30M	4K Steel Reinforced BLK AOC	30	100
18171	DR-H2.0-SR-50M	4K Steel Reinforced BLK AOC	50	165
18172	DR-H2.0-SR-70M (MTO)	4K Steel Reinforced BLK AOC	70	230
18173	DR-H2.0-SR-100M (MTO)	4K Steel Reinforced BLK AOC	100	328

FSR Inc.

244 Bergen Boulevard, Woodland Park, NJ 07424
 Phone: 973.998.2300 · Fax: 973.785.4207
 Toll Free: 1.800.332.FSR1
 Web: www.fsrinc.com · E-mail: sales@fsrinc.com

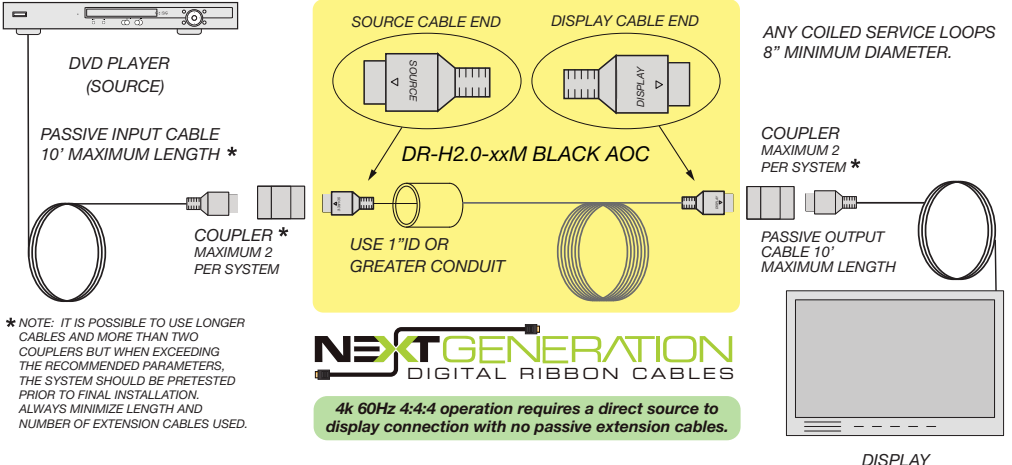


SPECIFICATIONS

Performance Characteristics	
Video Connectors	Male HDMI®
Maximum Length	100' (30 meters)
Cable Dimensions	See dimension drawings below
Compliance	RoHS, UL444, CSA C22.2 No. 214, UL 746A
HDMI Cable Type	High-Speed HDMI®
Total Power Consumption	0.25 Watts
Endurance at Bend Radius	Over 10k cycles at 2" (50 mm) Radius
Minimum Bend Radius	0.5" (12.7mm)
Maximum Tensile Load	100 lbs.
Environmental Performance	
Operating Temperature Range	+32° F to +122° F (0 ° to +50°C)
Maximum Operating Humidity	85%
Storage Temperature Range	-22° to +122° F (-30° to +50°C)
Product Specifications	
<ul style="list-style-type: none"> • Up to 4k 60Hz 4:4:4 HDR uncompressed HDMI video • 3D • Deep Color • 18 Gb/sec video bandwidth 	<ul style="list-style-type: none"> • Supports DDC for HDCP and EDID • HDMI-CEC • ARC compatible • Supports PCM, Dolby, DTS-HD and True HD audio

****4k 60Hz 4:4:4 performance requires a direct connection from source to display.**

APPLICATIONS

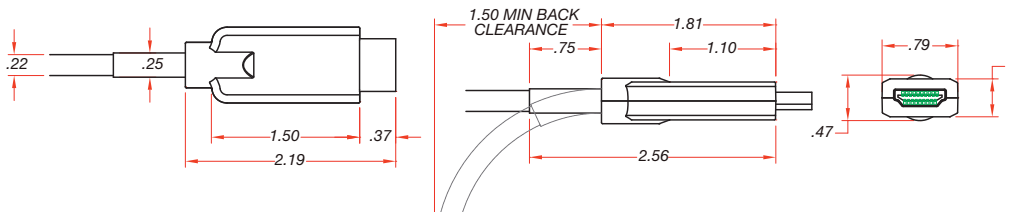


IMPORTANT:
Do not use any pulling method that will result in a localized twisting of the cable or damage will result and the warranty will be voided.

The DR-SOCK is perfect protection for pulling pre-connectorized cable through conduit, and can be used over and over.



DIMENSIONS



The terms HDMI, HDMI High-Definition Multimedia Interface, and the HDMI Logo are trademarks or registered trademarks of HDMI Licensing Administrator, Inc.

FSR Inc.
 244 Bergen Boulevard
 Woodland Park, NJ 07424
 Phone: 973.998.2300
 Fax: 973.785.4207
 Toll Free: 1.800.332.FSR1
 Web: www.fsrinc.com
 E-mail: sales@fsrinc.com