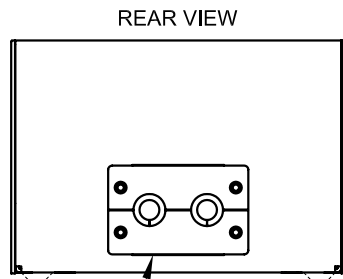
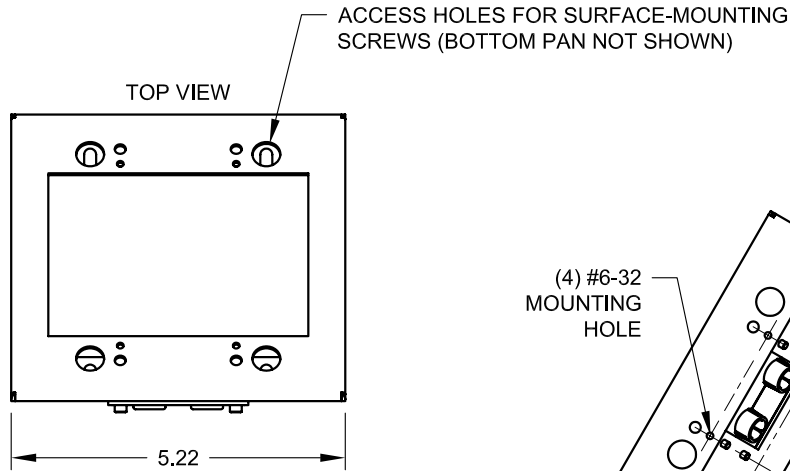
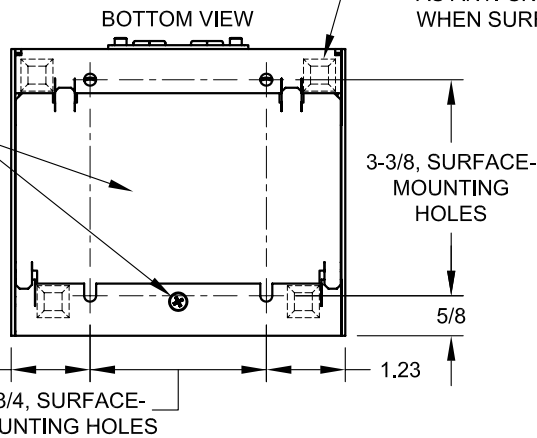


Touchboards

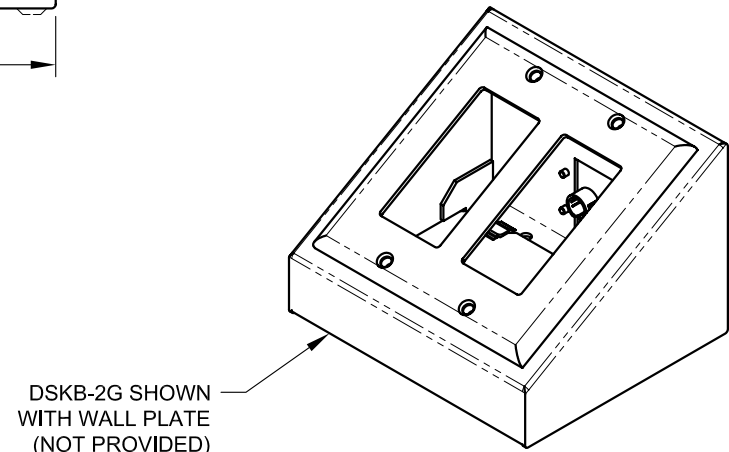
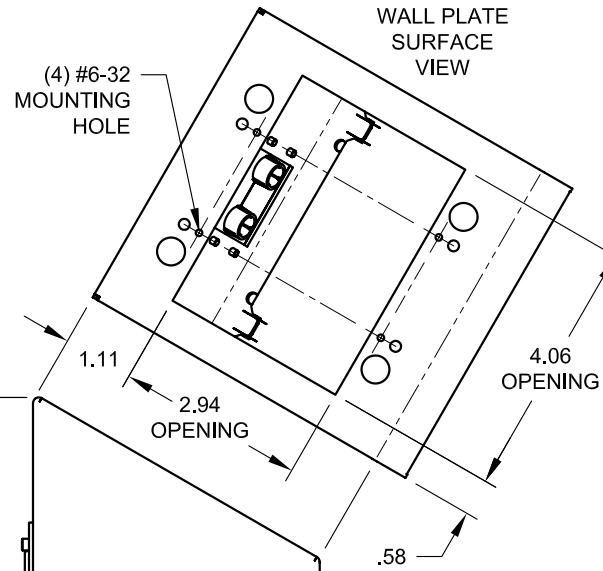
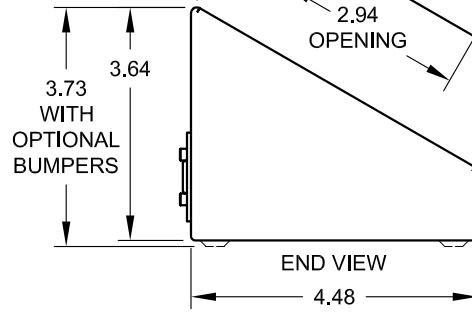
205 Westwood Ave, Long Branch, NJ 07740
 Phone: 866-94 BOARDS (26273) / (732)-222-1511
 Fax: (732)-222-7088 | E-mail: sales@touchboards.com



IPS-B020D PROVIDED
 (PASS THRU, 2 x .312 ID BUSHING)



(4) SUPPLIED BUMPERS USED AS ANTI-SKID FEET (NOT USED WHEN SURFACE-MOUNTING)



FSR inc.
 244 BERGEN BLVD.
 W. PATERSON, NJ 07424
 TEL. (973) 785-4347
 FAX (973) 785-3318

TITLE:	DSKB-2G		
DRAWN BY:	JRE	DATE:	01/18/07
DWG#:	DSKB-2G	REV:	-
		SCALE:	1:3