

FL-1200 Floor Box

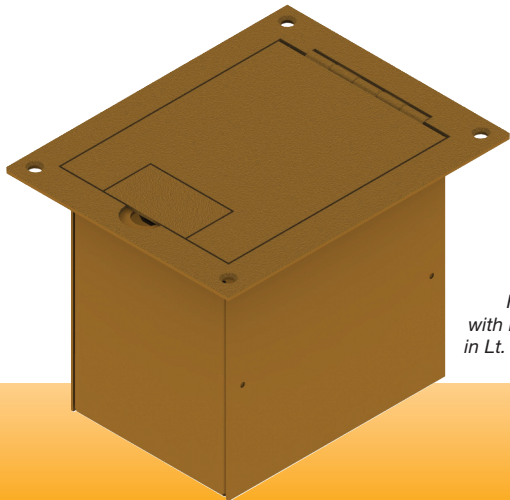
Touchboards

205 Westwood Ave, Long Branch, NJ 07740
Phone: 866-94 BOARDS (26273) / (732)-222-1511
Fax: (732)-222-7088 | E-mail: sales@touchboards.com

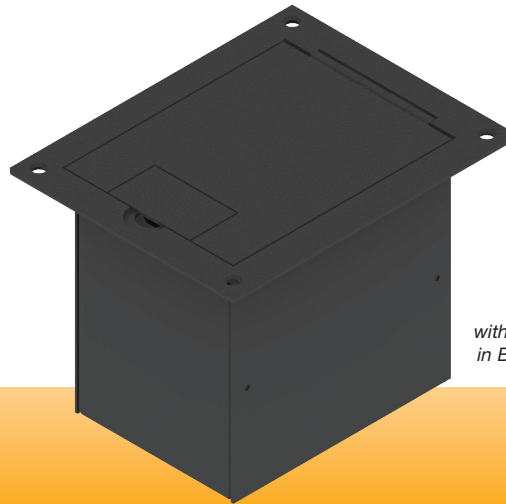
FSR

Metal Products Group

FL-1200 Floor Box



FL-1200
with Hinged Door
in Lt. Oak Sandtex



FL-1200
with Hinged Door
in Black Sandtex

DESCRIPTION

The FL-1200 is a unique floor box designed for wooden stage and computer floors. This box provides a practical solution for power, audio and video cable termination and connection. Its dual door design allows full access when making connections while only having a small cable opening when in use.

The cover of the FL-1200 is painted with black sandtex or oak paint.

There are two knockouts, one on the rear and one on the bottom.

The FL-1200 is a one piece, all welded design. This makes for an extremely sturdy and easily installed box. The inserts are removable with just 2 screws for easy installation and connector repair.

The FL-1200 is shipped with three different insert plates. One of the plates has provision for two switchcraft D[*] male or female connectors. The second plate is punched out for one duplex receptacle. The third plate is blank and can be punched by the contractor or manufactured by FSR.

See back for more details.

SPECIFICATIONS

Size:	Top 6" X 4-3/4" X 1/8" Box 4-5/8" X 3-3/8" X 4-1/2"
Weight:	2-3/4 lbs.
Knockouts	Rear: 1 either 1/2" or 3/4" Bottom: 1 either 1/2" or 3/4"
Finish:	Black or Oak Sandtex paint option



FL-1200 Blk
(Large door open)

FL-1200 Blk
(Both doors open)

FSR Inc.

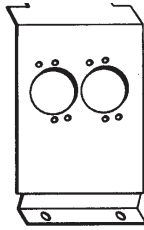
244 Bergen Boulevard, Woodland Park, NJ 07424
Phone: 973.785.4347 · Fax: 973.785.4207
Web: www.fsrinc.com · E-mail: sales@fsrinc.com
Order Desk: 1-800-332-FSR1

LIT1067A

INTERNAL BRACKETS SUPPLIED WITH THE FL-1200

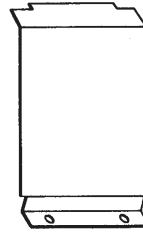
FL-1200-XLR

The FL-1200-XLR bracket is pre-punched for two switchcraft XLRs. The unique hole pattern on this bracket allows for the mounting of either a male or female XLR.



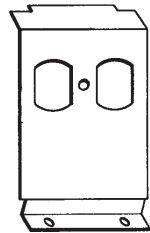
FL-1200-BL

The FL-1200 BL bracket is a preformed blank insert for installation of connectors other than XLR's or duplex. The usable area of this insert is 3" X 2-1/2"



FL-1200-AC

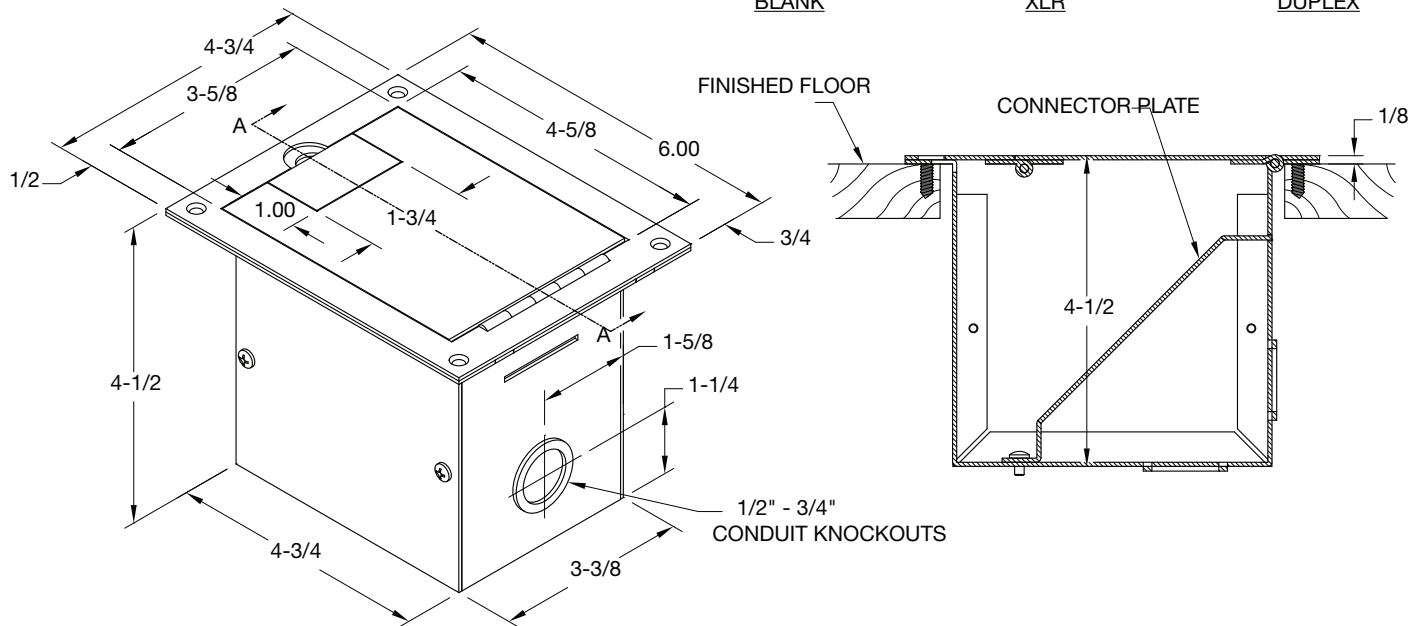
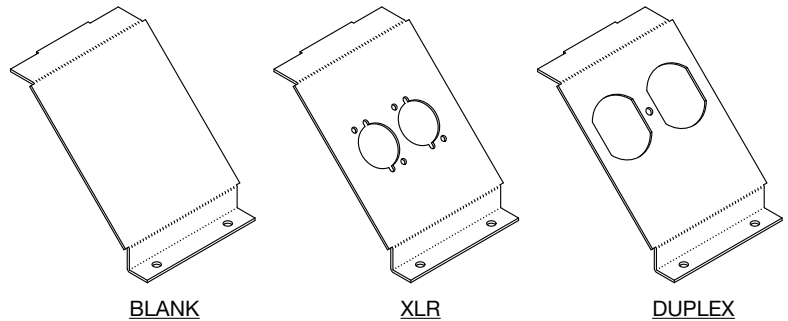
The FL-1200 AC bracket is pre-punched for one duplex receptacle. This bracket can be removed easily for installation and service.



FL-1200 DIMENSIONS

- Cut out size is 4-3/4" X 3-1/2".
- Opening should be rabbeted 1/8" deep for finished wood floors only.
- Mount with four #6 flat head wood screws (black).
- Insert bracket with two #6-32 screws (supplied).

3 PLATES PROVIDED



Specifications are subject to change without notice.



244 Bergen Boulevard, Woodland Park, NJ 07424
 Phone: 973.785.4347 · Fax: 973.785.4207
 Web: www.fsrinc.com · E-mail: sales@fsrinc.com LIT1067

