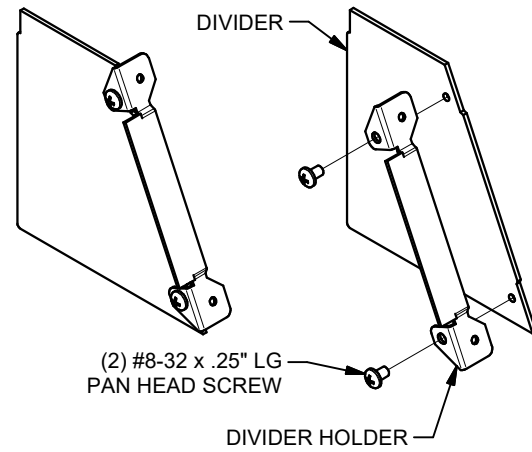


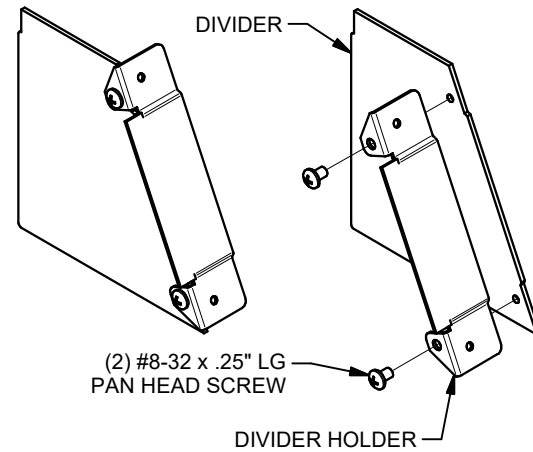
GANG DIVIDER ASSEMBLY

DIVIDER HOLDER **MUST** BE ORIENTED AS SHOWN WHEN ATTACHING TO DIVIDERS, IN ORDER TO PROPERLY ASSEMBLE BOX INTERIOR.

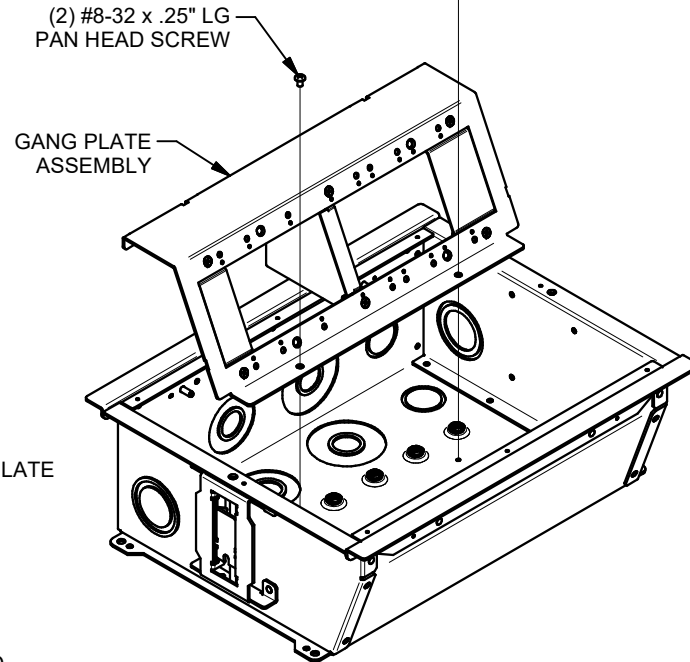
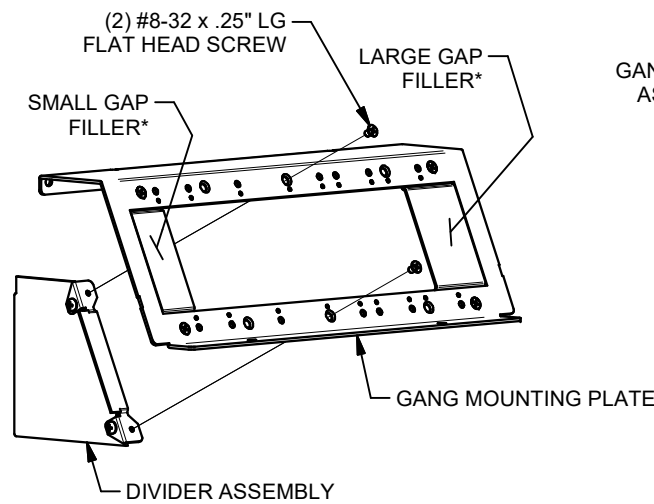
SMALL DIVIDER HOLDER



LARGE DIVIDER HOLDER



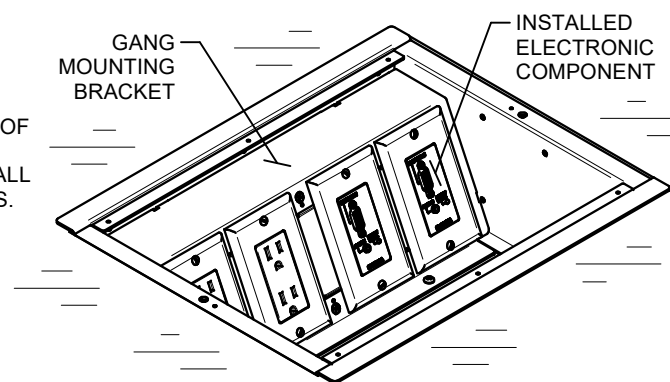
POSITION DIVIDER ASSEMBLY IN BOX **BEFORE** INSTALLING GANG PLATE ASSEMBLY. SECURE DIVIDER ASSEMBLY TO GANG PLATE ASSEMBLY WITH SCREWS AS NOTED.



* GAP FILLERS ARE OPTIONAL, PER DESIRED CONFIGURATION (SEE PREVIOUS PAGE), AND ARE INSTALLED SIMILARLY TO DIVIDER ASSEMBLIES.

INSTALLING ELECTRONIC COMPONENTS

PULL WIRES AND CABLES TO BOX AS NECESSARY (REMOVAL OF GANG MOUNTING BRACKETS MAY BE REQUIRED). TERMINATE WIRES AND CABLES TO ELECTRONIC COMPONENTS, AND INSTALL ELECTRONIC COMPONENTS ONTO GANG MOUNTING BRACKETS. REINSTALL TEMPORARY COVER IF FINISHED COVER IS TO BE INSTALLED AT A LATER DATE.



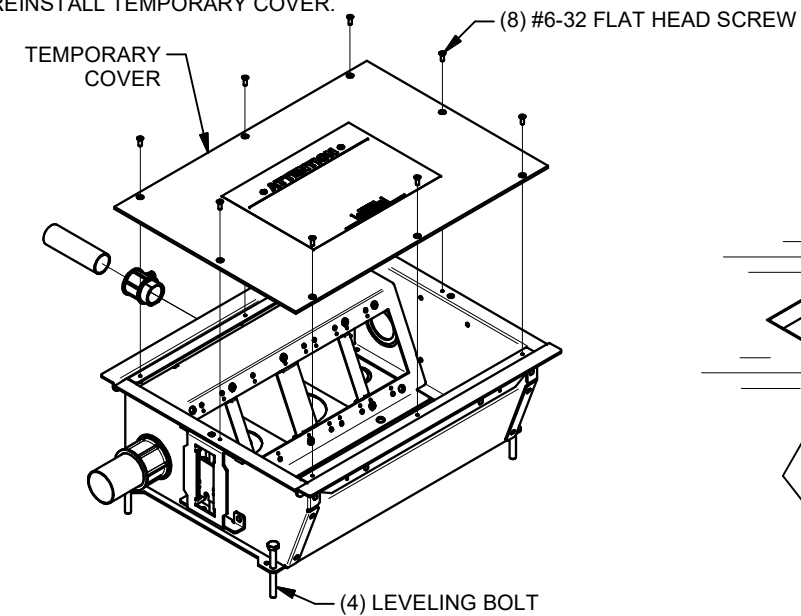
FSR FL-400 Floor Box Installation Instructions

244 Bergen Boulevard, Woodland Park, NJ 07424, Phone: 973.785.4347 - Fax: 973.785.4207

FOR POURED CONCRETE:

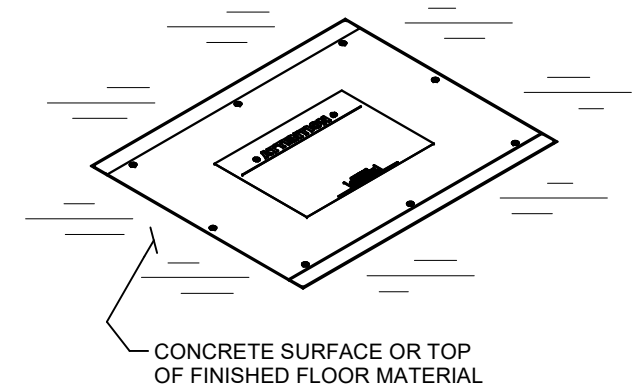
BOX INSTALLATION - STEP 1

LOCATE AND POSITION BOX IN ACCORDANCE WITH FLOOR PLANS. TOP SURFACE OF TEMPORARY COVER **MUST** BE SET RELATIVE TO THE HEIGHT OF THE FINISHED FLOOR - ie STONE, WOOD OR CONCRETE - SEE TYPICAL INSTALLATION HEIGHTS. LEVEL AND ANCHOR BOX AS REQUIRED. USE SCREWS, NAILS, OR WIRE TO PREVENT BOX FROM FLOATING DURING POUR. REMOVE AND RETAIN TEMPORARY COVER AND SCREWS. ROUTE CONDUITS TO BOX AS REQUIRED. **GANG BRACKET SCREWS MUST BE IN PLACE AND BOTTOMED TO ENSURE SCREW VOIDS AFTER POUR.** PLACE THIS INSTALLATION GUIDE BACK INTO BOX, ALONG WITH ALL SUPPLIED ITEMS, AND REINSTALL TEMPORARY COVER.



BOX INSTALLATION - STEP 2

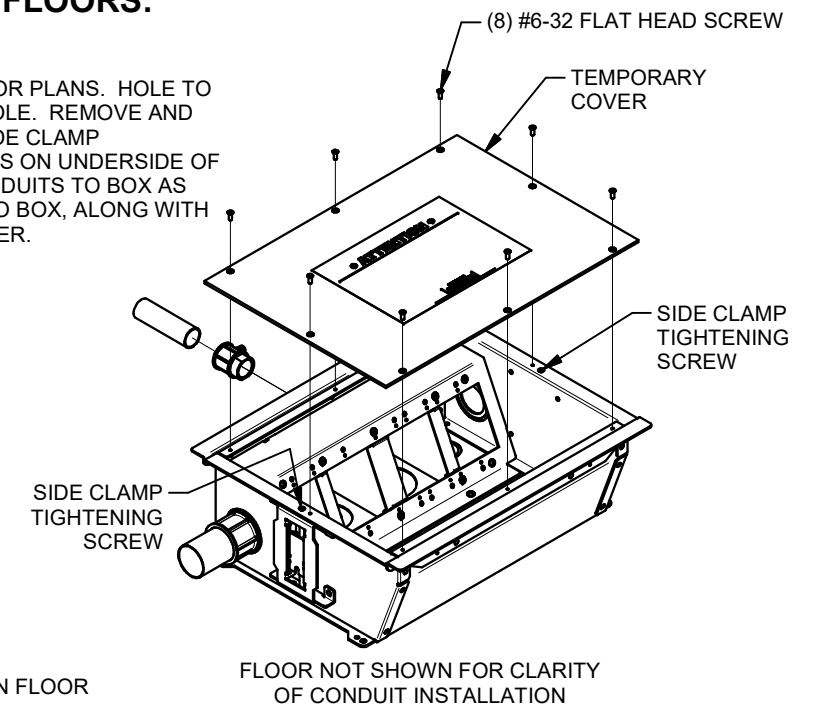
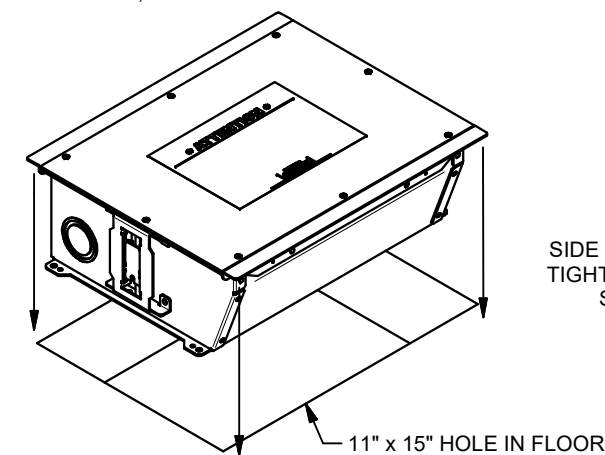
SCREED TO TOP OF BOX SURFACE FOR 3/16" THICK CARPET/FLOORING OR SPECIFIC HEIGHT TO ALLOW FOR THICKER FINISHED FLOOR MATERIAL. HAND TROWELING RECOMMENDED NEAR BOX EDGES. BOX HAS **NO** HEIGHT ADJUSTMENT AFTER CONCRETE POUR.



FOR RAISED-ACCESS FLOORS/WOOD FLOORS:

BOX INSTALLATION

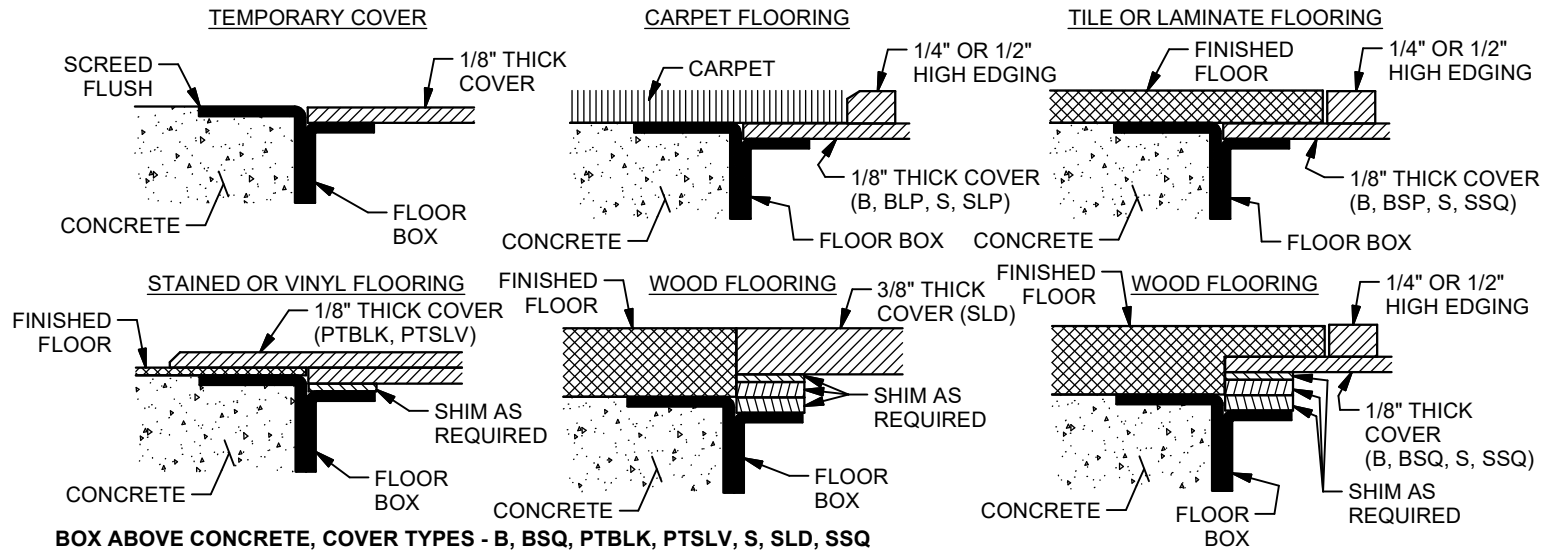
LOCATE AND POSITION BOX IN ACCORDANCE WITH FLOOR PLANS. HOLE TO BE CUT IN FLOOR - 11" x 15". DROP FLOOR BOX THRU HOLE. REMOVE AND RETAIN TEMPORARY COVER AND SCREWS. TURN (2) SIDE CLAMP TIGHTENING SCREWS CLOCKWISE, UNTIL CLAMPS PRESS ON UNDERSIDE OF FLOOR, AND BOX CANNOT MOVE OR SHIFT. ROUTE CONDUITS TO BOX AS REQUIRED. PLACE THIS INSTALLATION GUIDE BACK INTO BOX, ALONG WITH ALL SUPPLIED ITEMS, AND REINSTALL TEMPORARY COVER.



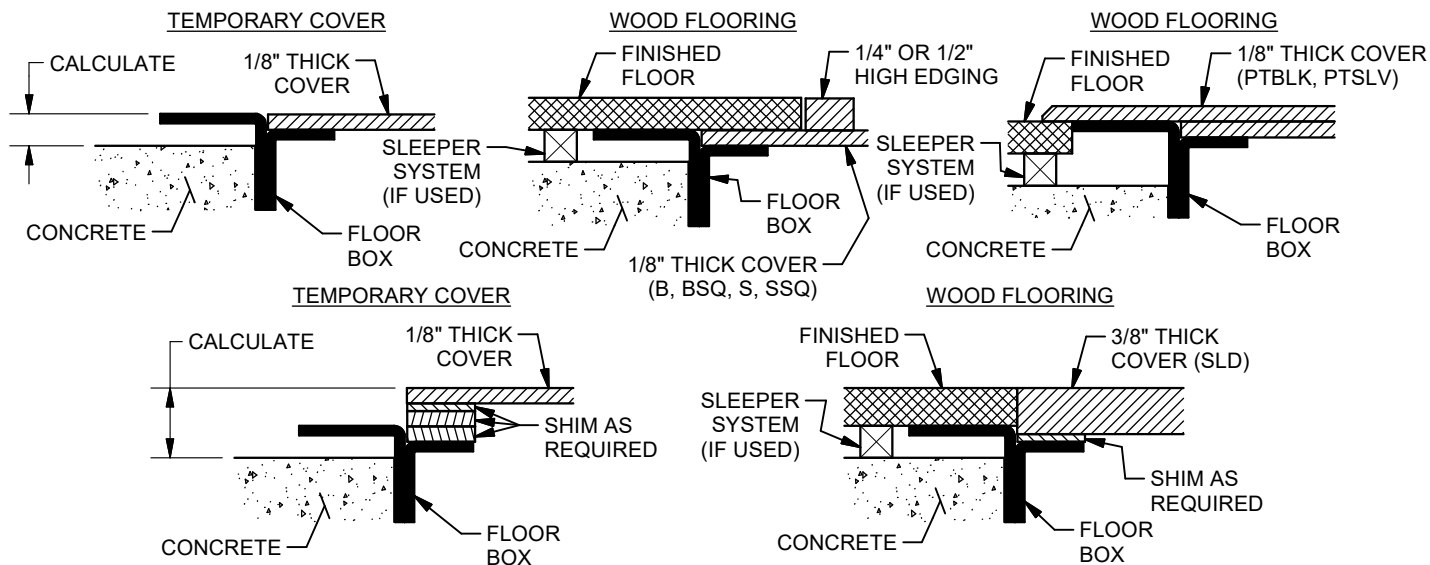
TYPICAL INSTALLATION HEIGHTS FOR POURED CONCRETE

FLOOR BOX TEMPORARY COVER WILL EITHER BE INSTALLED DIRECTLY ON THE BOX OR SHIMMED BASED ON THE COVER AND FLOORING SPECIFICATIONS. SHIM KITS SOLD SEPARATELY (FL-400-CSK). THE TEMPORARY COVER MAY NOT BE FLUSH WITH THE FINISH FLOOR IN ALL INSTALLATIONS.

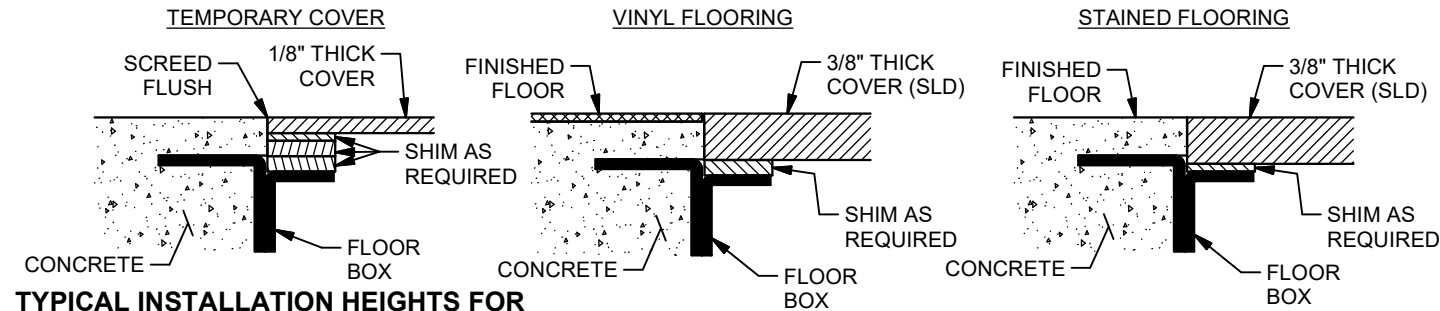
CONCRETE FLUSH WITH BOX, COVER TYPES - B, BLP, BSQ, PTBLK, PTSLV, S, SLD, SLP, SSQ



BOX ABOVE CONCRETE, COVER TYPES - B, BSQ, PTBLK, PTSLV, S, SLD, SSQ

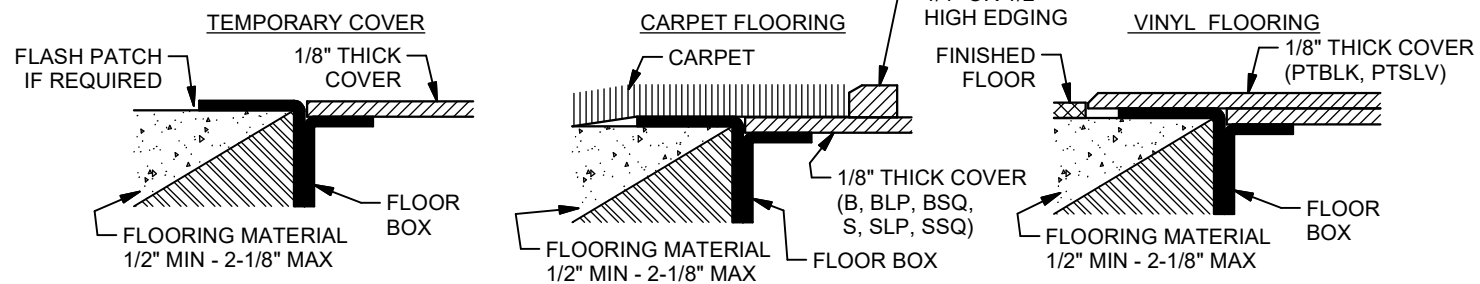


BOX BELOW CONCRETE, COVER TYPES - SLD



TYPICAL INSTALLATION HEIGHTS FOR RAISED-ACCESS FLOORS

COVER TYPES - B, BLP, BSQ, PLP, PT, S, SLP, SSQ



GANG MOUNTING BRACKET CONFIGURATION

PER CUSTOMER SPECIFICATIONS, CONFIGURE GANG MOUNTING BRACKETS AS SHOWN BELOW AND REASSEMBLE INTO BOX.

