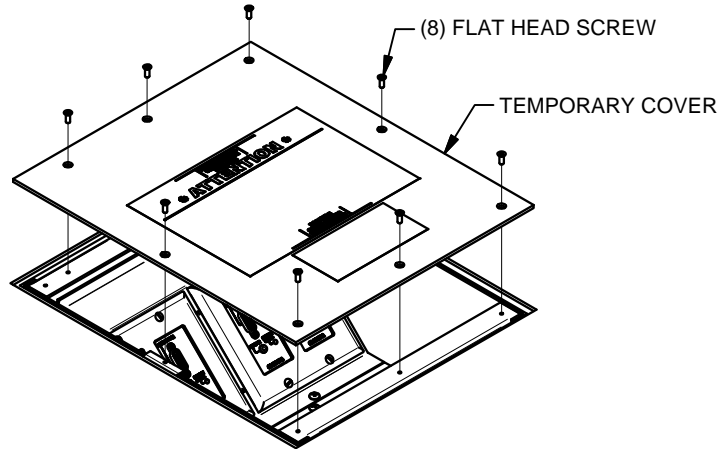
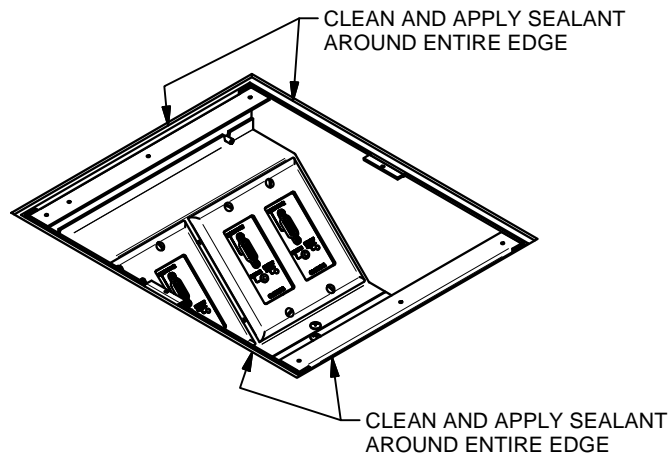


1. WHEN READY TO INSTALL SF8 COVER, REMOVE AND DISCARD TEMPORARY COVER AND SCREWS.



2. INSTALL CABLE INTERFACES AND CONNECTOR PLATES IF PREVIOUSLY NOT INSTALLED. CLEAN AREA IN AND AROUND ENTIRE TOP EDGE OF BOX AND APPLY 1/4" CONTINUOUS BEAD OF RTV SILICONE SEALANT.



3. INSTALL SF8 ADAPTER PLATE (CAN BE ROTATED 180°) WITH SUPPLIED O-RINGS AND FLAT HEAD SCREWS. REFER TO SF8 COVER INSTALLATION INSTRUCTIONS TO COMPLETE INSTALLATION.

NOTE: COVER SHIM KIT (FL-500P-CSK OR FL-600P-CSK) MAY BE REQUIRED TO SET THE HEIGHT OF BOX "PRE-POUR" SO THE TOP OF FINISH COVER MATCHES TOP OF FINISHED FLOOR.

