

**SVSi Encoder
Mounting Solutions**
**Manufacturer Specific Mounting
Solutions for FSR Floor
and Wall Boxes**



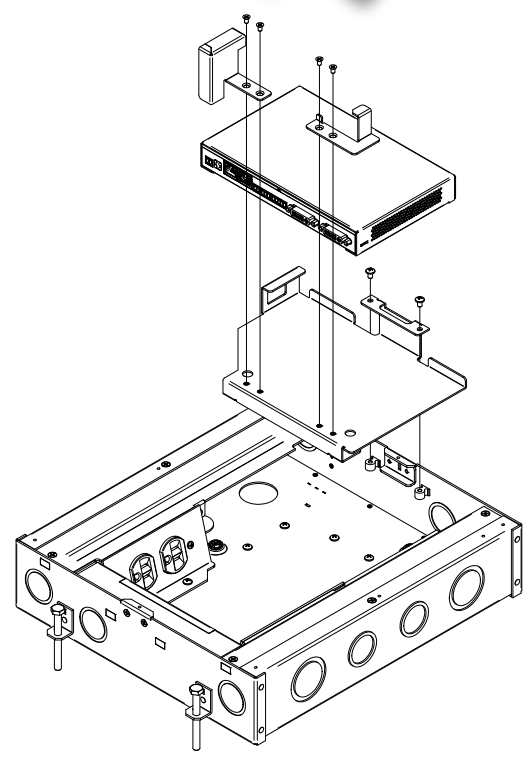
DESCRIPTION

The 99543 FL-600P-3-SVSI-BRK BRACKET SET is a bracket set built specifically for the FSR FL-600P-3 box to hold SVSi N 1000/2000/3000 Series Encoders. The set includes all the brackets, hardware and instructions that are necessary to install the SVSi Encoder into the FL-600P-3 floor box.

**See reverse of page for
PWB-280 Wallbox for the
SVSi Encoders**



205 Westwood Ave, Long Branch, NJ 07740
 Phone: 866-94 BOARDS (26273) / (732)-222-1511
 Fax: (732)-222-7088 | E-mail: sales@touchboards.com



244 Bergen Boulevard, Woodland Park, NJ 07424
 Phone: 973.785.4347 · Fax: 973.785.4207
 Web: www.fsrinc.com · E-mail: sales@fsrinc.com
 Order Desk: 1-800-332-FSR1

