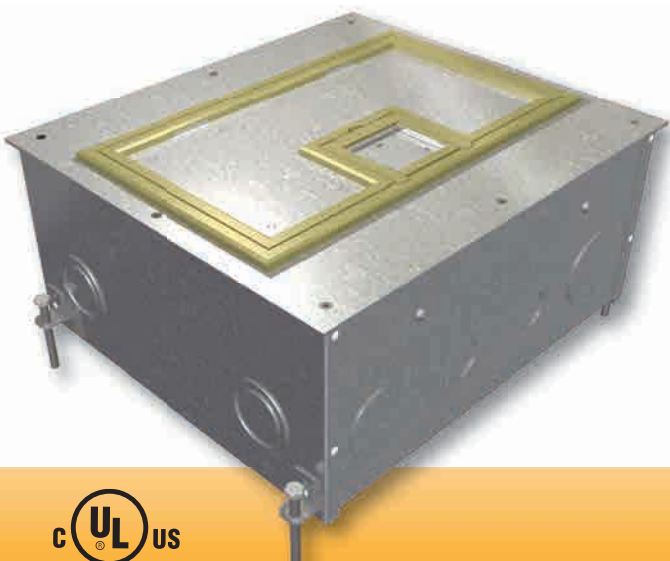


# FL-600P Floor Box



## “TOOL-LESS” U-ACCESS COVER DESIGN

The cable access door can be easily removed by lifting the integrated U-Access handle to quickly access the interior compartment, connectors, and cables.

- 11-gauge steel temporary construction cover included
- 11-gauge finished steel cover with choice of carpet edging
- Mitered brass or aluminum carpet edging .5” or .25” high
- Stainless steel compression latches
- Lift-off full access door



**Scrub water approved for carpet, tile, and wood floors!**

### DESCRIPTION

Our FL-600P Floor Boxes combine rugged construction and an elegant design for use in carpet, tile, or wood covered floors over poured concrete applications. This makes it the perfect floor box for ballrooms, meeting rooms, public spaces, and high traffic areas. There is ample compartment room to accommodate power, audio, video, telecommunications, and data in one elegant and practical box.

There are a variety of covers to choose from. Options include integrated carpet edging, flat covers for non-carpeted, bare floor applications, and different finishes. The lift-off section of the cover allows full access to internal connector plates and stored cables. The hinged cable exit door flips back to allow the cover to remain in place after connections are made and cables are routed through it. The 0.25” and 0.50” raised edge style covers are UL scrub water approved.

The innovation continues to the “transformable” box bottom. The FL-600P’s internal brackets can be arranged to provide numerous options for both high and low voltage standard gang openings making it the most flexible and easiest to install floor box available. Removable center dividers make passing cables through the various compartments a snap. Integral “Easy Pour” leveling feet are standard on all of the box bottoms. Several box depths are available and are UL listed.

The unit includes all of the necessary internal plates and brackets to make “pre” and “post” pour compartment changes quick and easy. Using this system, both high and low voltage gang configurations, along with compartment isolation, can be implemented “on the fly”. This makes just about any cabling/connector scenario possible.

### SPECIFICATIONS

Size:	Box:	13.5” x 12” x depth
	Cover:	14” x 12.5” x .125”
Flanging:	Height:	.25” or .5”
	Material:	Brass or Aluminum
		Flat and Solid Covers also available

### FIRE-RESISTANT FLOOR BOXES



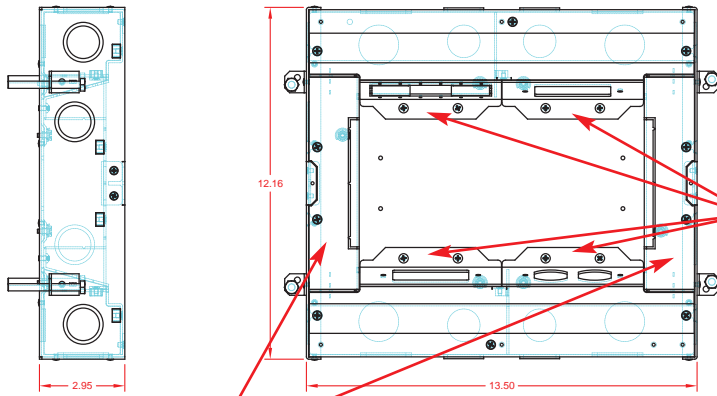
FSR also offers a line of larger Fire-Resistant floor boxes.

Our FL-500P-6-FRK and FL-605P-6-FRK floor solutions expand the versatility of our floor box line by providing enhanced, fire-resistant versions of our existing products. Our FRK kits are UL listed and comply with UL 263 Fire Resistance Ratings.

See Lit 1458 FR Brochure for details.

# BOX BOTTOM DETAIL DRAWINGS

## FL-600P-3-B



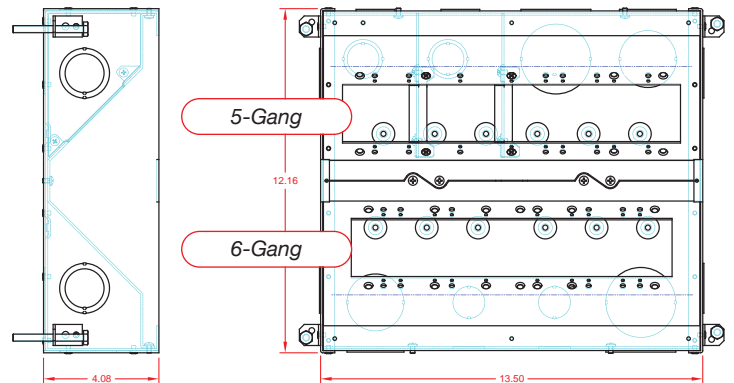
### FL-600P-3 Box Knockout Specifications

KO trade size	Qty/Box
3/4"	4
3/4" / 1.00"	10
1.00	4
1.00 / 1-1/4"	4

**MAIN** compartment areas include two duplex, two Decora and one 6-IPS brackets.  
Additional brackets are available as an option. (See ordering table)

"Pass-through" **END** compartment areas include brackets with integral blank plates.  
Additional brackets are available as an option. (See ordering table)

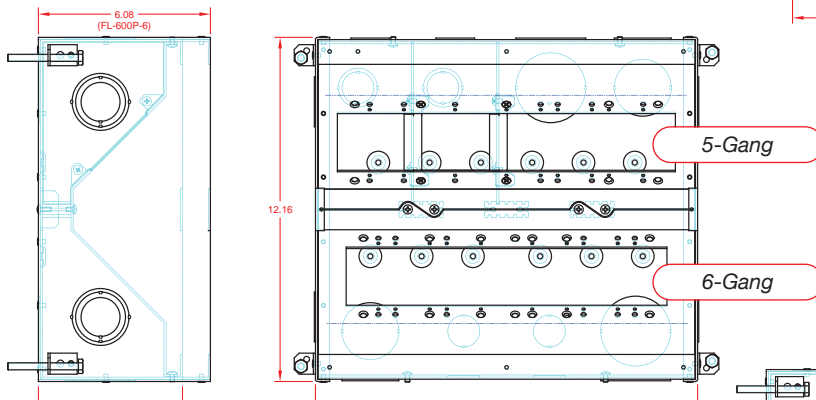
## FL-600P-4-B



### FL-600P-4 Box Knockout Specifications

3/4"	4
3/4" / 1.00"	4
1.00" / 1-1/4"	4
1-1/2"	4
2.00"	4

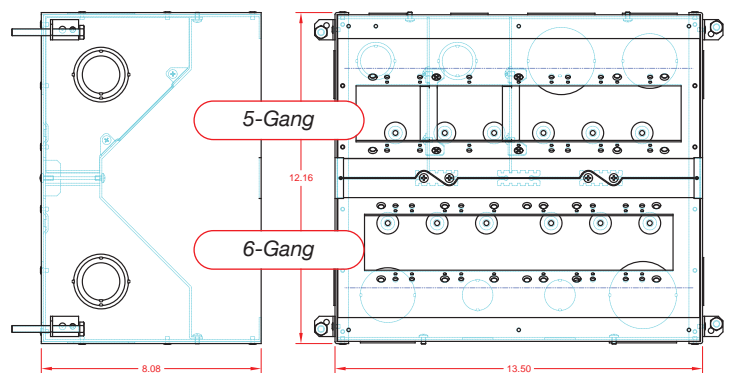
## FL-600P-5-B & 6-B 5" & 6" Deep



### FL-600P-5 & -6 Knockout Specifications

3/4"	4
3/4" / 1.00"	4
1.00" / 1-1/4" / 1-1/2"	4
1-1/2"	4
2.00"	4

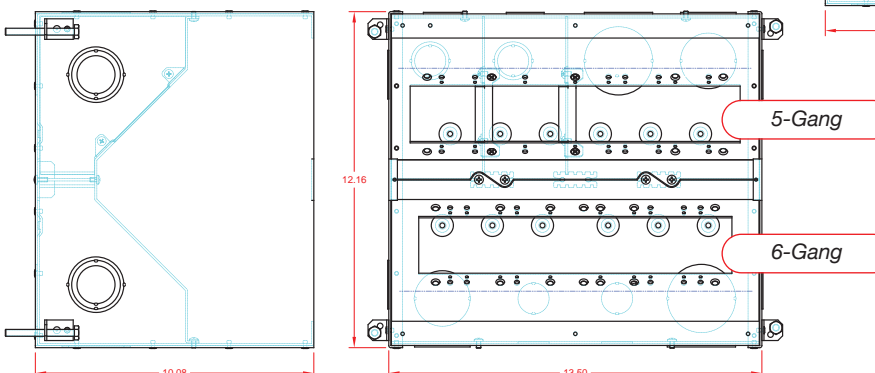
## FL-600P-8-B



### FL-600P-8 & -10 Knockout Specifications

3/4"	4
3/4" / 1.00"	4
1.00" / 1-1/4" / 1-1/2"	4
1-1/2"	4
2.00"	4

## FL-600P-10-B

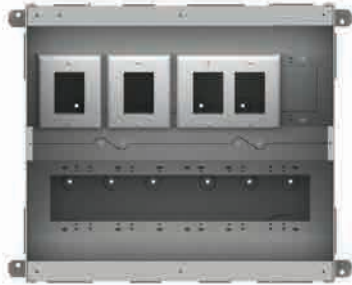


# PLATE CONFIGURATIONS

5-gang side shown (4" through 10" boxes).

Box can be configured as shown, using the included parts.

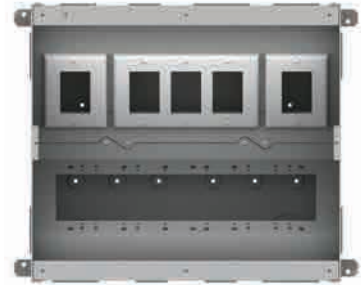
**Plate Configuration 1-1-2**



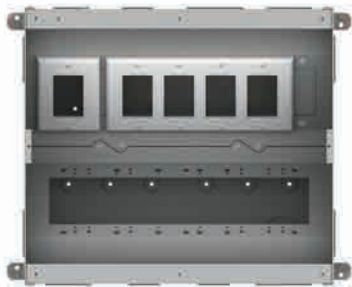
**Plate Configuration 1-1-3**



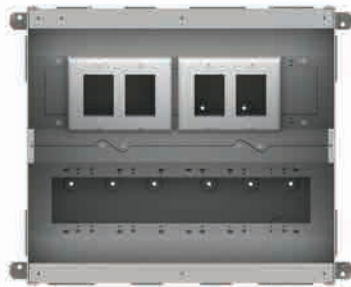
**Plate Configuration 1-3-1**



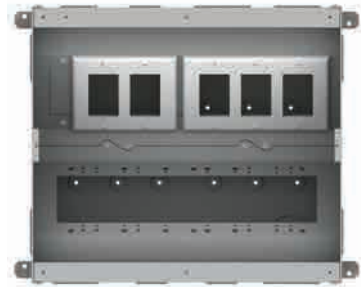
**Plate Configuration 1-4**



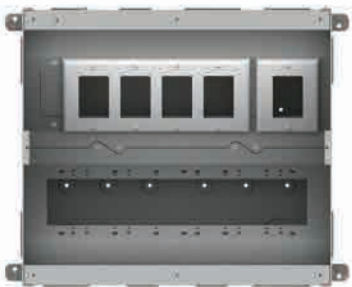
**Plate Configuration 2-2**



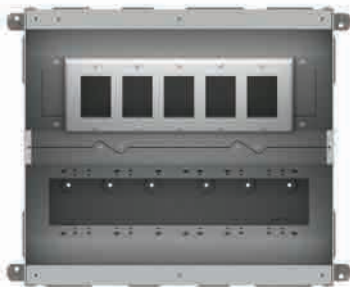
**Plate Configuration 2-3**



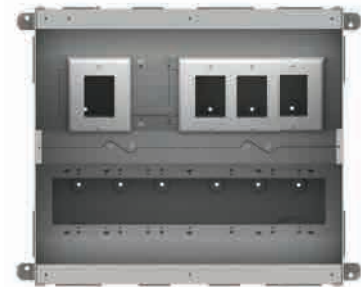
**Plate Configuration 4-1**



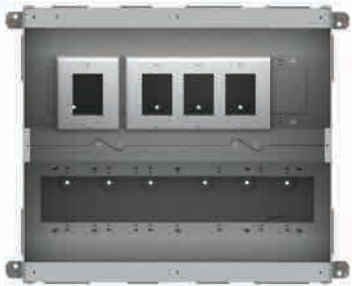
**Plate Configuration 5-0**



**Plate Configuration 1-3 (a)**



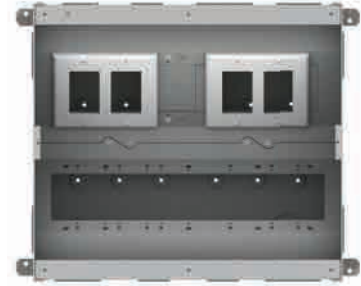
**Plate Configuration 1-3 (b)**



**Plate Configuration 1-4**



**Plate Configuration 2-2 (a)**



*\*Decora plate shown for reference only.*

## PLATE CONFIGURATIONS

6-gang side shown (4" through 10" boxes).

Box can be configured as shown, using the included parts.

Plate Configuration 2-2 (b)

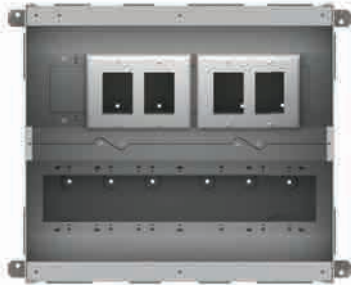


Plate Configuration 2-3

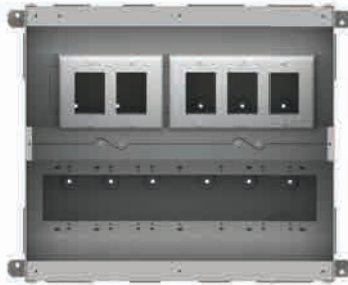


Plate Configuration 3-1

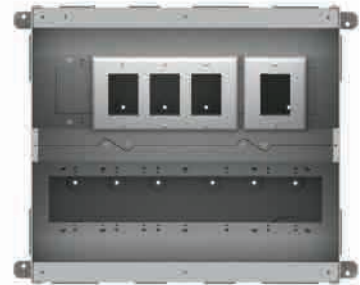


Plate Configuration 3-2



Plate Configuration 4-1



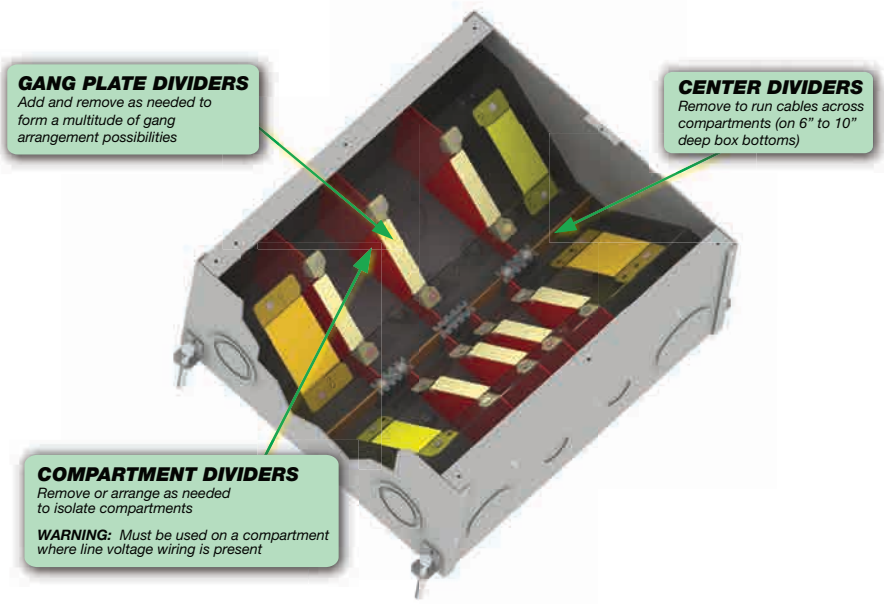
Plate Configuration 6-0



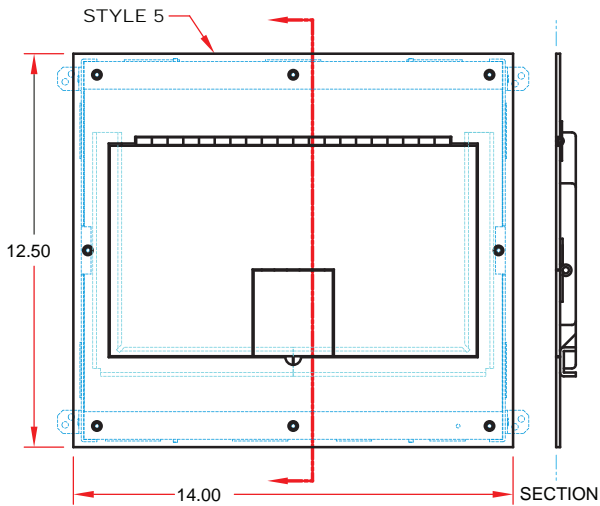
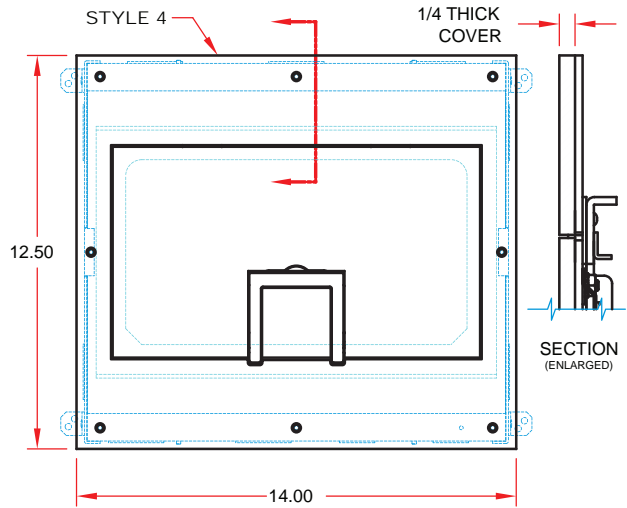
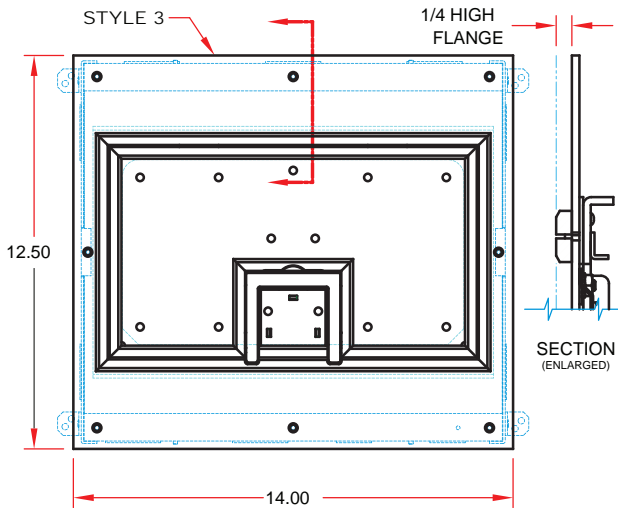
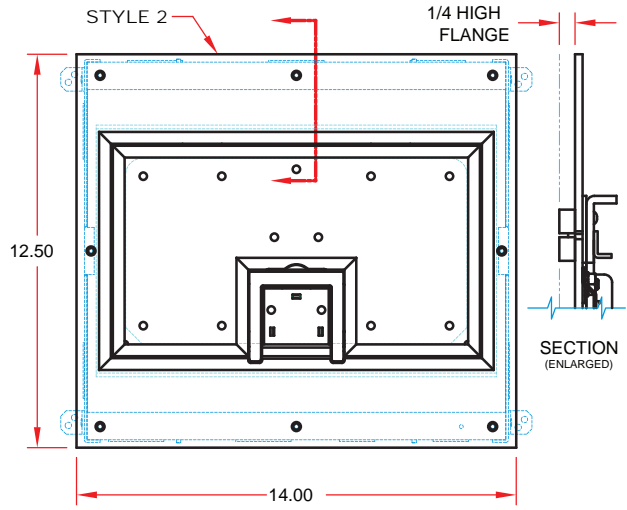
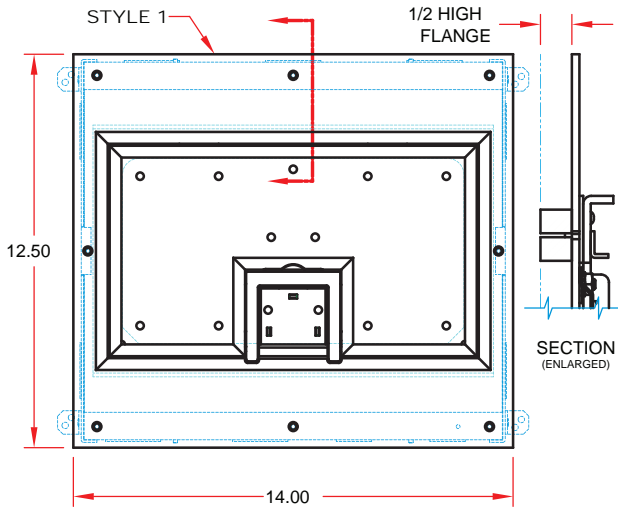
\*Decora plates shown for reference only.

## FL-600P "TRANSFORMABLE" BOX BOTTOM

Available on 4" through 10" deep box bottom.



# COVER DETAIL DRAWINGS

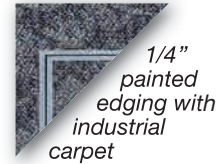


STYLE	DESCRIPTION
1	1/2" SQUARED FLANGE FOR CARPET OR TILE
2	1/4" SQUARED FLANGE FOR CARPET OR TILE
3	1/4" BEVELED FLANGE FOR CARPET
4	SOLID COVER, NO FLANGE**
5	SOLID COVER, NO FLANGE, HINGED**

Additional Flange heights and colors are available.  
Consult factory.

\*\*Note: Cover Shim Kit (FL-600-CSK) may be required to set the height of box "Pre-Pour" so the top of Finish Cover matches top of finished floor.

# COVER OPTIONS



Available in brass, aluminum or painted edging to compliment floor covering.

**NEW**



The new U-Access cover design features a handle to easily lift the cover. All corner fasteners have been removed.

See a larger view at [bit.ly/1aKZzT6](http://bit.ly/1aKZzT6) or scan this QR Code



Not all cover color options are pictured. See the ordering table below for additional options.

## Floor Box Cover and box bottom ordering information

**FL-600P - Requires ordering Cover and box bottom separately**

Part #	Description
<b>U-Access Covers - UL Scrub Water Rated for Tile and Carpet Installations</b>	
FL-600P-BLP-C	FL-600P Cover With 1/4" Brass Beveled Flange (Lift off door)
FL-600P-BSQ-C	FL-600P Cover with 1/4" Brass Square Flange (Lift off door)
FL-600P-B-C	FL-600P Cover With 1/2" Brass Square Flange (Lift off door)
FL-600P-SLP-C	FL-600P Cover With 1/4" Aluminum Beveled Flange (Lift off door)
FL-600P-SSQ-C	FL-600P Cover With 1/4" Aluminum Square Flange (Lift off door)
FL-600P-S-C	FL-600P Cover With 1/2" Aluminum Square Flange (Lift off door)
FL-600P-PLP-BLK-C	FL-600P Cover with 1/4" Painted Beveled Flange - Black (Lift off door)
FL-600P-PLP-CLY-C	FL-600P Cover with 1/4" Painted Beveled Flange - Clay (Lift off door)
FL-600P-PLP-GRY-C	FL-600P Cover with 1/4" Painted Beveled Flange - Gray (Lift off door)
<b>U-Access Covers - UL Scrub Water Rated - No Carpet Trim**</b>	
FL-600P-SLD-ALM-C**	FL-600P Solid Cover w/ Cable Exit (No Flange) - Aluminum
FL-600P-SLD-BLK-C**	FL-600P Solid Cover w/ Cable Exit (No Flange) - Black
FL-600P-SLD-CLY-C**	FL-600P Solid Cover w/ Cable Exit (No Flange) - Clay
FL-600P-SLD-GRY-C**	FL-600P Solid Cover w/ Cable Exit (No Flange) - Gray
** Shim kits may be required.	
<b>Covers</b>	
FL-600P-BLK-C	Cover (No Flange) With Hinged Door in Black Sandtex
FL-600P-SS-C	Cover (No Flange) With Hinged Door in Stainless Steel
<b>Box Bottom - UL Listed - Includes Steel Construction Cover</b>	
FL-600P-3-B	FL-600P Box Bottom - 3" Deep 6 x 1-Gang Areas
FL-600P-4-B	FL-600P Box Bottom - 4" Deep
FL-600P-5-B	FL-600P box bottom - 5" Deep
FL-600P-6-B	FL-600P Box Bottom - 6" Deep
FL-600P-8-B	FL-600P Box Bottom - 8" Deep
FL-600P-10-B	FL-600P Box Bottom - 10" Deep
<b>Optional Brackets for FL-600P-3-B Box Bottom (END compartment areas)</b>	
FL-600P3"-EP-DEC	Decora Optional Bracket
FL-600P3"-EP-DUP	Duplex Optional Bracket
FL-600P3"-EP-4IPS	4-IPS Optional Bracket
<b>Optional brackets for FL-600P-3-B Box Bottom (MAIN compartment areas)</b>	
FL-P3"-Decora	Decora optional Bracket
FL-P3"-Duplex	Duplex optional Bracket
FL-P3"-6IPS	6-IPS optional Bracket
FL-P3"-Blank	Blank optional Bracket
<b>Optional Manufacturers Specific Mounting Brackets</b>	
MMS-FL600/640-P4	Crestron DM-TX-200-C-2G Wallplate Mounting Bracket w/Blank Plate (4" deep box only)
<b>Pour Pan Accessories</b>	
FL-GRD2	2" Grade Mounting Kit
FL-GRD4	4" Grade Mounting Kit
<b>Optional Shim Kit**</b>	
FL-600-CSK	Temporary and Final Cover Shim Kit



244 Bergen Boulevard, Woodland Park, NJ 07424  
 Phone: 973.785.4347 · Fax: 973.785.4207  
 Web: [www.fsrinc.com](http://www.fsrinc.com) · E-mail: [sales@fsrinc.com](mailto:sales@fsrinc.com)

Specifications are subject to change without notice.

LIT1058J