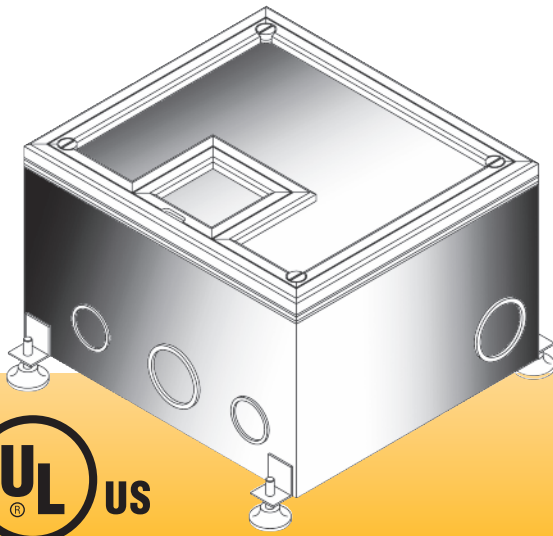


FL-700 PASS THRU FLOOR BOX



FSR

Metal Products Group

Touchboards

205 Westwood Ave, Long Branch, NJ 07740
Phone: 866-94 BOARDS (26273) / (732)-222-1511
Fax: (732)-222-7088 | E-mail: sales@touchboards.com

**Scrub water approved for
carpet, tile, and wood floors!**

DESCRIPTION

The FL-700 floor box is designed for conference rooms, auditoriums, classrooms, etc. where it may be necessary to pass cables thru the box without interfering with the various connectors. This simplifies installation of wiring when a group of boxes must be connected in series. The pass thru route is front to back. The FL-700 is used on carpeted floors over concrete. This floor box provides a practical and safe solution for easy access to cables and connector plates. The lift-off section of the cover allows full access to internal cables and connector plates while a smaller, hinged trapdoor flips back to create a cable exit. All cables can be stored within the box when they are not in use, allowing unencumbered travel in the area.

The sturdy 11 gauge steel cover is installed flush with the floor. The low profile edging is 1/4" high and is available in brass or aluminum. When the box is not in use, only the elegant, hand mitered carpet edge is visible.

Inside the FL-700, one angled bracket is provided for cable connections with ample clearance for cable connectors.

The angled brackets provide two single and one triple gang opening, which are all isolated for maximum safety.

The FL-700 is extremely sturdy (steel and welded construction) and has been designed to fit the needs of power, audio, video, telecommunications, and data applications.

Note: When this box is used on grade, it should be encased in concrete to prevent contact with the grade. To ensure compliance, we recommend using the FSR Pour Pan Accessory.

SPECIFICATIONS

Size:	Box: 8" x 14" x 5 1/4" Cover: 7" x 13 1/8" x 1/8" Material - 1/8" steel
Edging:	Height: 1/4" in beveled or square profiles Material: Brass or Aluminum
Weight:	Box: 18 lbs. Cover: 5 1/2 lbs.
Knockouts:	Six, either 1/2" or 3/4" Eight, either 1" or 1-1/4"

ORDERING INFORMATION

FL-700 - Requires Cover and Back Box	
Covers - UL Scrub Water Rated for Tile and Carpet Installations	
FL-700-BLP-C	1/4" Beveled Brass Carpet Flange (Lift off door)
FL-700-BSQ-C	1/4" Square Brass Flange (Lift off door)
FL-700-SLP-C	1/4" Beveled Aluminum Carpet Flange (Lift off door)
FL-700-SSQ-C	1/4" Square Aluminum Flange (Lift off door)
Covers - Not Scrub Water Rated (Non UL)	
FL-700-BLK-C	(No Flange) With Hinged Door in Black Sandtex
FL-700-OAK-C	(No Flange) With Hinged Door in Lt. Oak Sandtex
Back boxes - UL Listed - Includes Steel Construction Cover	
FL-700 Bottom	FL-700 Back Box - 5 1/4" Deep

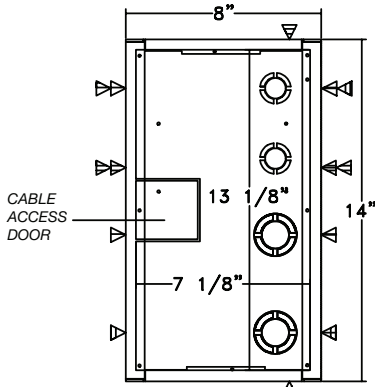
FSR Inc.

244 Bergen Boulevard, Woodland Park, NJ 07424
Phone: 973.785.4347 · Fax: 973.785.4207
Web: www.fsrinc.com · E-mail: sales@fsrinc.com
Order Desk: 1-800-332-FSR1

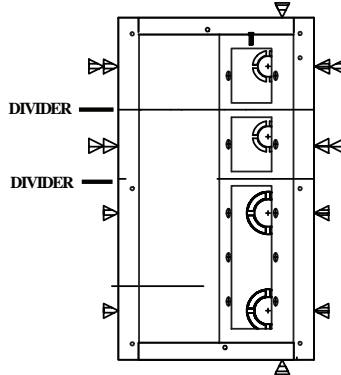
LIT1064D

FL-700 INTERNAL BRACKET ARRANGEMENT

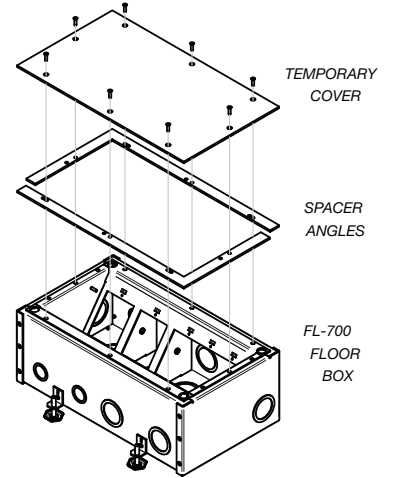
Top View with Door Location



Top View with Bracket Arrangement



NOTE: (▽) 1" - 1 1/4" KNOCKOUT LOCATIONS
 (▷) 1/2" - 3/4" KNOCKOUT LOCATIONS



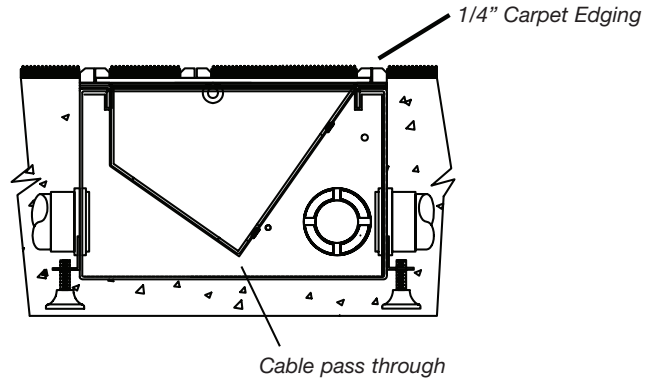
Side View Showing Internal Bracket Placement

The Internal Mounting Brackets Accommodate
 2 - Single Gang Plates
 1 - Three Gang Plate

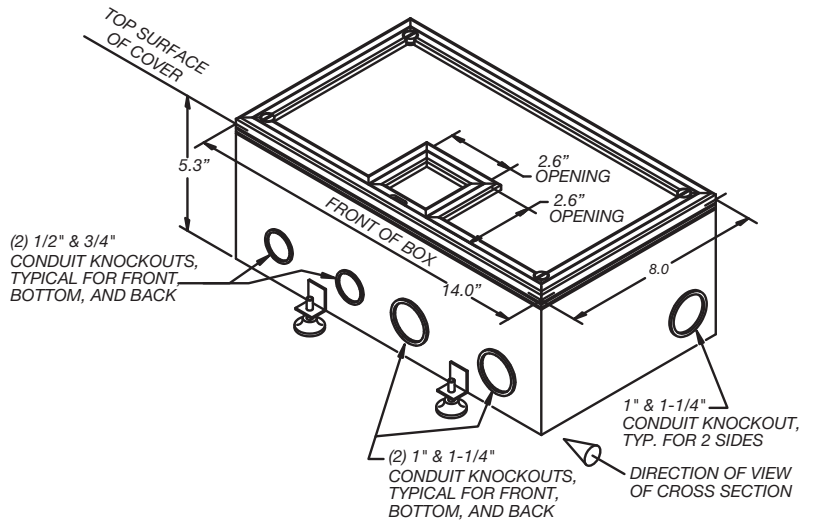
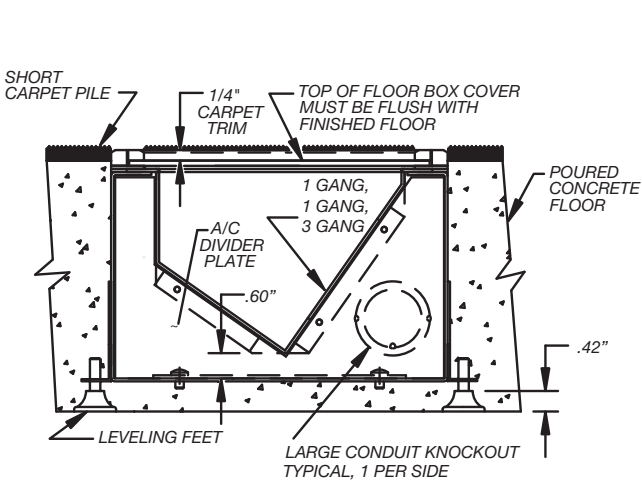
Depth of box in 5 1/4"



205 Westwood Ave, Long Branch, NJ 07740
 Phone: 866-94 BOARDS (26273) / (732)-222-1511
 Fax: (732)-222-7088 | E-mail: sales@touchboards.com



Installation Cross Section



Specifications are subject to change without notice.



244 Bergen Boulevard, Woodland Park, NJ 07424
 Phone: 973.785.4347 · Fax: 973.785.4207
 Web: www.fsrinc.com · E-mail: sales@fsrinc.com

