

# FL-710 PASS THRU FLOOR BOX

# FSR

Metal Products Group

FL-710



**Scrub water approved for  
carpet, tile, and wood floors!**

## DESCRIPTION

The FL-710 floor box is designed for conference rooms, auditoriums, classrooms, etc. where it may be necessary to pass cables thru the box without interfering with the various connectors. This simplifies installation of wiring when a group of boxes must be connected in series. The pass thru route is front to back. The FL-710 is used on carpeted floors over concrete. This floor box provides a practical and safe solution for easy access to cables and connector plates. The lift-off section of the cover allows full access to internal cables and connector plates while a smaller, hinged trapdoor flips back to create a cable exit. All cables can be stored within the box when they are not in use, allowing unencumbered travel in the area.

The sturdy 11 gauge steel cover is installed flush with the floor. The low profile edging is 1/4" high and is available in brass or aluminum. When the box is not in use, only the elegant, hand mitered carpet edge is visible.

Inside the FL-710, one angled bracket is provided for cable connections with ample clearance for cable connectors.

The angled brackets provide one single and one double gang opening, which are all isolated for maximum safety.

The FL-710 is extremely sturdy (steel and welded construction) and has been designed to fit the needs of power, audio, video, telecommunications, and data applications.

Cover and back box are ordered separately.

Note: When this box is used on grade, it should be encased in concrete to prevent contact with the grade. To ensure compliance, we recommend using the FSR Pour Pan Accessory.

## SPECIFICATIONS

Size: Box: 8" x 9" x 5 1/8"  
Cover: 7 1/8" x 8 1/8" x 1/8"  
Material - 1/8" steel

Edging: Height: 1/4"  
Material: Brass or Aluminum

Weight: Box: 10.3 lbs.  
Cover: 3.1 lbs.

Knockouts: Six, either 1/2" or 3/4"  
Three, either 1" or 1 1/4"

## ORDERING INSTRUCTIONS

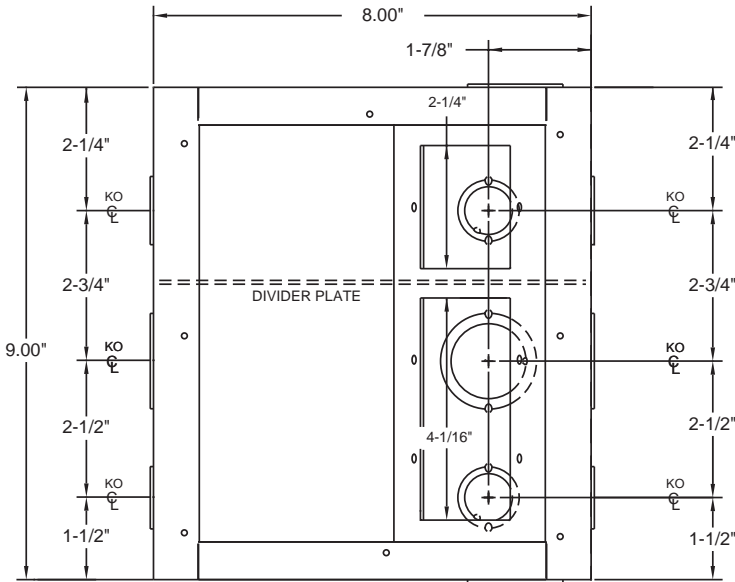
Item#	Part#	Description
<b>Covers - UL Scrub Water Rated for Tile and Carpet Installations</b>		
15863	FL-710-BLP-C	Cover with 1/4" Brass Carpet Flange (Lift off door)
15796	FL-710-BSQ-C	Cover with 1/4" Square Brass Flange (Lift off door)
15862	FL-710-SLP-C	Cover with 1/4" Aluminum Carpet Flange (Lift off door)
16065	FL-710-SSQ-C	Cover with 1/4" Square Aluminum Flange (Lift off door)
<b>Covers - UL Listed</b>		
16061	FL-710-BLK-C	Cover (No Flange) with Hinged Door in Black Sandtex
<b>Back Boxes - UL Listed - Includes Steel Construction Cover</b>		
15861	FL-710 Bottom	FL-710 Back Box - 5 1/4" Deep

### FSR Inc.

244 Bergen Boulevard, Woodland Park, NJ 07424  
Phone: 973.785.4347 · Fax: 973.785.4207  
Web: www.fsrinc.com · E-mail: sales@fsrinc.com  
Order Desk: 1-800-332-FSR1

LIT1065D

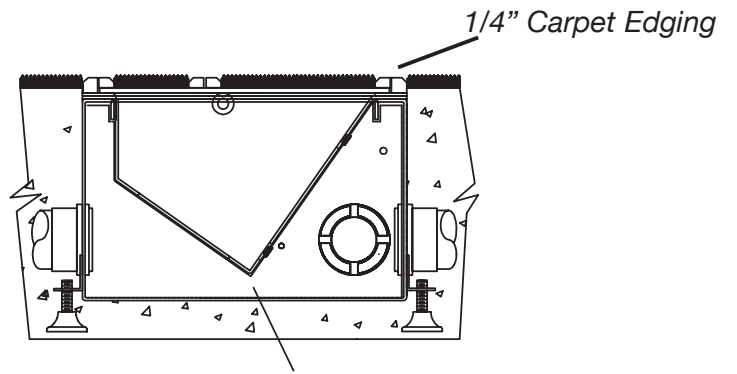
# FL-710 INTERNAL BRACKET ARRANGEMENT



Top View Showing Internal Bracket Placement

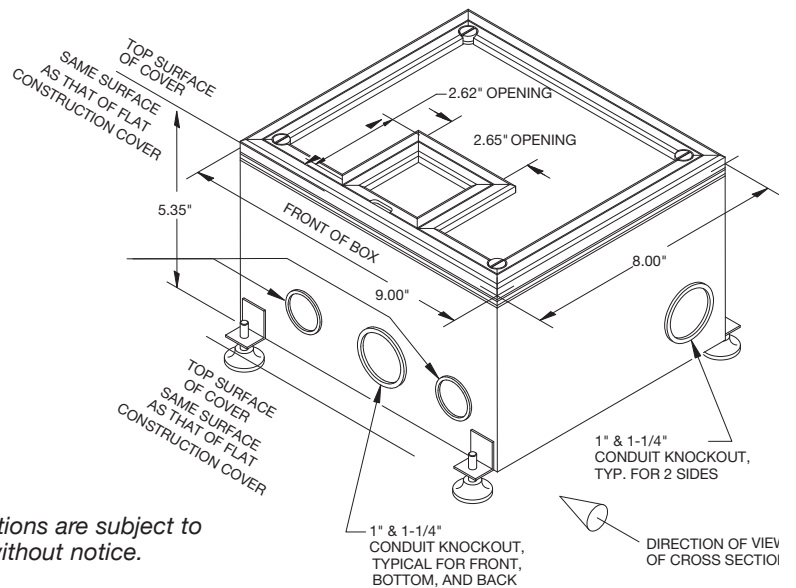
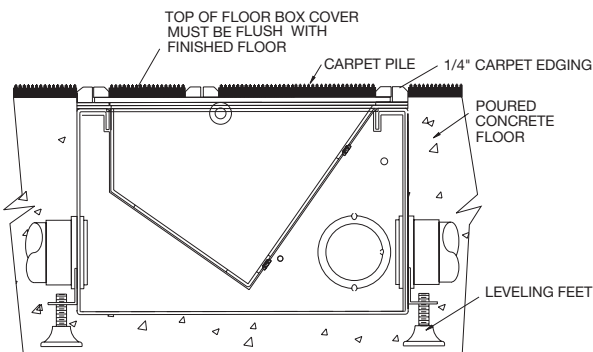
The Internal Mounting Brackets Accommodate  
 1 - Single Gang Plate  
 1 - Two Gang Plate

Depth of box is 5 1/4"



Cable pass through

## FL-710 Installation Cross Section



Specifications are subject to change without notice.



244 Bergen Boulevard, Woodland Park, NJ 07424  
 Phone: 973.785.4347 · Fax: 973.785.4207  
 Web: www.fsrinc.com · E-mail: sales@fsrinc.com

