



## Cover Finishes

Elegant hand-mitered edging on covers blend with any decor or color combination. For use with virtually all choices of floor covering.



Available in brass, aluminum or painted edging to compliment floor covering.



The new U-Access cover design features a handle to easily lift the cover. All corner fasteners have been removed.

See a larger view at [bit.ly/1aKZzT6](http://bit.ly/1aKZzT6) or scan this QR Code



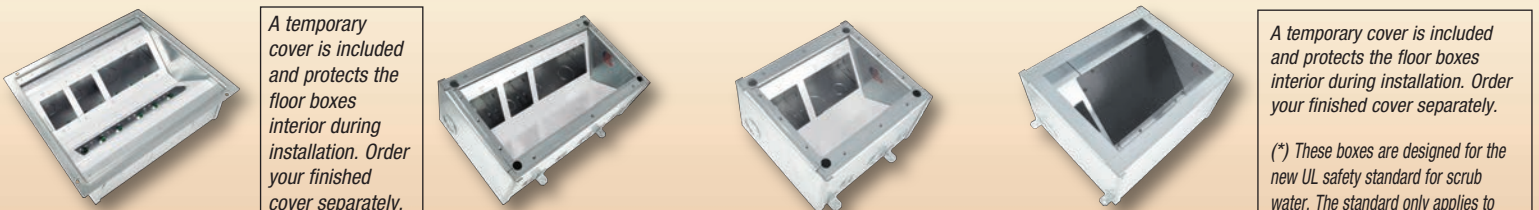
## Back Boxes

The steel construction makes FSR back boxes extremely sturdy. They are your solution for power, audio, video, telecommunications and data.

FL-500P, 540P, 600P and 640P have reconfigurable internal brackets. 6" and deeper back boxes also have cable "pass-through" capability.

LITE-it add it to every box!

<b>Model #</b> FL-200 Size: 8 3/4" X 6" Depth: 3", 4" Cover Size: 8 3/4" X 6" X 1/8" Knockouts: 8 total, either 1" and 1-1/4" Brackets: 1 Sloping field transformable, 1 Sloping Decora Opening Floor Type: Concrete	<b>Model #</b> FL-500P (*) Size: 10" X 12" Depth: 2-1/4", 3", 4", 6", 8", 10" Cover Size: 10-1/2" X 12-1/2" X 1/8" Knockouts: 12 total, either 1" and 1-1/4" Brackets: 2 Sloping field transformable Floor Type: Concrete	<b>Model #</b> FL-540P Size: 10" X 12" Depth: 4", 6", 8", 10" Cover Size: 10-1/2" X 12-1/2" X 1/8" Knockouts: 8 total either 1" and 1-1/4" Brackets: 2 Sloping field transformable Floor Type: Raised access, stage & computer floors	<b>Model #</b> FL-600P (*) Size: 13.5" X 12" Depth: 3", 4", 6", 8", 10" Cover Size: 14" X 12-1/2" X 1/8" Brackets: 2 Sloping field transformable Knockouts: 14 total either 1" and 1-1/4" Floor Type: Concrete

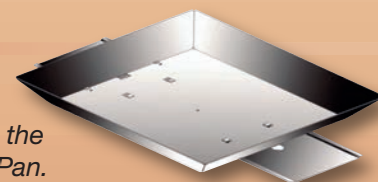


<b>Model #</b> FL-640P Size: 13.5" X 12" Depth: 4", 6", 8", 10" Cover Size: 14" X 12-1/2" X 1/8" Knockouts: 14 either 1" and 1-1/4" 4 either 3/4" and 1/2" Brackets: 2 Sloping field transformable Floor Type: Raised access, stage & computer floors	<b>Model #</b> FL-700 (*) Size: 8" X 14" Depth: 5-1/4" Cover Size: 8" X 14" X 1/8" Knockouts: 6 either 1/2" and 3/4" 4 either 1" and 1-1/4" Brackets: 1 Sloping Floor Type: Concrete	<b>Model #</b> FL-710 (*) Size: 8" X 9" Depth: 5-1/4" Cover Size: 8" X 9" X 1/8" Knockouts: 6 either 1/2" and 3/4" 4 either 1" and 1-1/4" Brackets: 1 Sloping Floor Type: Concrete	<b>Model #</b> FL-2000 Size: 10" X 12" Depth: 6" Cover Size: 10-1/2" X 12-1/2" Knockouts: 2 total in AC section: 1 rear either 1/2" and 3/4" 4 total in AV section: 3 rear and 1 right side either 1" and 1-1/4" Brackets: 1 Sloping Floor Type: Concrete

(\*) These boxes are designed for the new UL safety standard for scrub water. The standard only applies to boxes installed in concrete, not raised access boxes.

## Pour Pan

The FSR Pour Pan is the answer to Floor Box installations that are on grade. If your application is a poured concrete floor and the box rests on soil, rock or gravel, you must first install the Pour Pan.



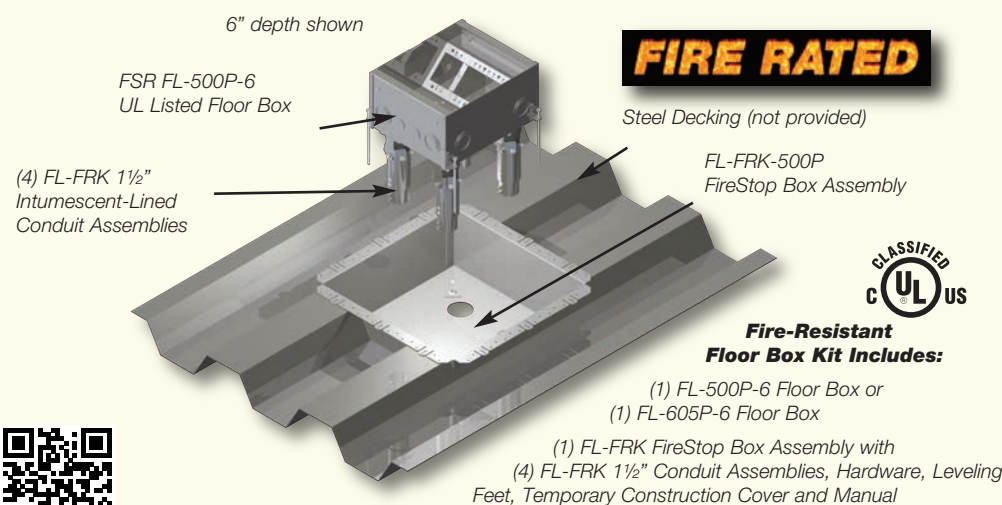
## Fire-Resistant Floor Box Solutions

**NEW**

Our Fire-Resistant floor solutions expand the versatility of our floor box line by providing enhanced, fire-resistant versions of our existing products.

The Fire-Resistant Kit is offered in two sizes: the FL-500P-6-FRK and FL-605P-6-FRK. Both models include a UL listed 3-hour Fire-Resistant Floor Box system comprised of a FireStop box, and four FL-FRK 1 1/2" Intumescent-lined Conduit Assemblies, hardware and installation instructions. A temporary construction cover is included to protect the floor box's interior during installation. Order your finished cover separately.

Watch the video at [bit.ly/1j7yT0Z](http://bit.ly/1j7yT0Z) or scan this QR code



Buy American Compliant

**FIRE RATED**

**NEW**



### SmartFit™ (Poke-Thru)

It's Not Just Power Anymore  
FSR SmartFit is an innovative system that provides flexible power and AV solutions for fire rated Poke-Thrus'. The SmartFit system features a universal cover assembly and multiple sub-plates that install in the fire rated Poke-Thrus' and are now available in 4", 6", and 8" sizes.

The system offers three architectural finishes: Aluminum, Brass, and Black, providing an attractive appearance with superior durability.

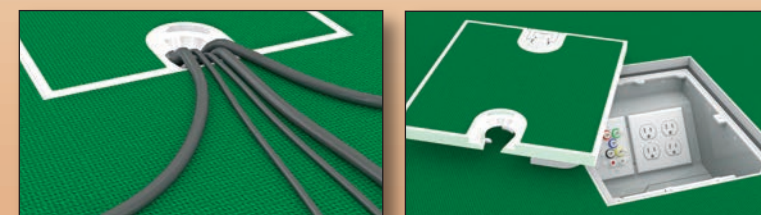
With the SmartFit system, FSR delivers one consistent look for installations with power and audio/video requirements. There are sub-plates available in the SmartFit line, including a Dual Decora and 3-IPS-insert sub-plate.



## The FLH20 "Super" Floor Box

The FLH20 High Load Capacity Floor Box combines rugged construction and elegant design for carpeted and non-carpeted floors.

Perfect for ballrooms, convention spaces, and high traffic areas where heavy equipment such as forklifts, automobiles, scissor lifts, and portable stages are used.



U.S. PAT. 7,989,710

**Compartment Dividers:**  
Remove or arrange as needed to isolate compartments.

**Center Dividers:**  
Remove to run cables across compartments.

Field Configurable Interior



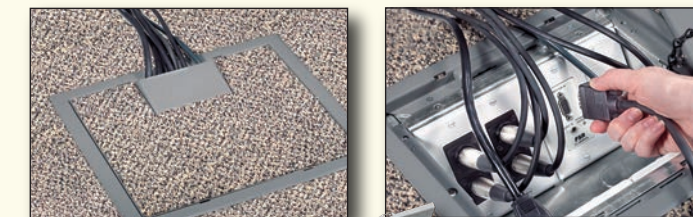
## Raised Floor Boxes

The all metal construction provides one or two cable access doors, or a solid metal cover.

FSR's Raised Access Floor Boxes are designed to handle a variety of connections and applications.

The RFL Series of Floor Boxes is available in many sizes and depths. The all-metal construction is built to handle the rigors of a floor environment, yet blends into the floor pattern.

The beveled steel carpet rim is available standard in gray, black or clay. We will provide custom finishes to match your design. Covers are available with one or two access doors, or a solid metal cover.



The RFL-AVs

## Stage Boxes

One piece all welded design providing both strength and ease of installation. Cover is painted with Sandtex for a non-skid finish, available in black or oak.



<b>Model #</b> FP-2-BLK Size: 7-3/4" X 5-3/4" Depth: 4-3/4" Cover Size: 7-3/4" X 5-3/4" X 1/8" Knockouts: Open area for a two gang box. (Customer supplied) Brackets: 1 Sloping Floor Type: Raised access, stage & computer floors	<b>Model #</b> FL-1200 Size: 3-3/8" X 4-5/8" Depth: 4-1/2" Cover Size: 4-3/4" X 6" X 1/8" Knockouts: 1 rear either 1/2" and 3/4" 1 bottom either 1/2" and 3/4" 1 Sloping Brackets: 1 Sloping Floor Type: Raised access, stage & computer floors	<b>Model #</b> FL-1300 Size: 5-1/8" X 7-1/8" Depth: 4-7/8" Cover Size: 6-1/8" X 8-1/2" X 1/8" Knockouts: 2 rear concentric either 1/2" and 3/4" 1 bottom concentric either 1/2" and 3/4" 1 each left and right sides concentric 1/2" and 3/4" Brackets: 1 Sloping Floor Type: Raised access, stage & computer floors	<b>Model #</b> FL-1500 Size: 11 7/8" X 8" Depth: 6" Cover Size: 13-1/2" X 9-1/2" X 3/16" Knockouts: 4 rear either 1" and 1-1/4", 4 bottom either 1" and 1-1/4" Brackets: 1 Sloping Floor Type: Wood or linoleum over raised access, stage & computer floors Please Note: Products not shown to size
--	---	--	--

### New UL Requirements

UL has added a new requirement for UL listing. Boxes to be installed in concrete must pass a "scrub water" test. FSR passed the test and exceeded the specs. Our boxes are approved, not only for carpet over concrete, but wood and tile as well. This requirement is only for boxes in concrete, it is not required for raised access or stage floors.

## LITE-it

**NEW**



THE LIGHT WITH A BRAIN

LITE-it easily provides lighting in floor, wall and ceiling boxes, or anywhere a work light is needed. LITE-it can be used with all our Core Solutions. Add LITE-it to every box!

Look for this symbol to see where LITE-it can be installed.

